

## Montana Department of Transportation Bridge Bureau Approved Construction Equipment List

<b>Make:</b>	<i>BOMAG</i>
<b>Model:</b>	<i>BW138-AD5</i>
<b>Equipment Type:</b>	<i>TANDEM ROLLER</i>
<b>Contractor Modifications:</b>	<i>NONE</i>

### Interstate Approval Conditions

<b>Approval Type</b>	<i>Crossing Only</i>
<b>Speed:</b>	<i>No Restriction</i>
<b>Weight:</b>	<i>12,125 lb or less</i>
<b>Traffic:</b>	<i>Approved with regular traffic</i>
<b>Location Restrictions:</b>	<i>Remain in painted lane</i>

### Non-Interstate Approval Conditions

<b>Approval Type</b>	<i>Crossing Only</i>
<b>Speed:</b>	<i>No Restriction</i>
<b>Weight:</b>	<i>12,125 lb or less</i>
<b>Traffic:</b>	<i>Approved with regular traffic</i>
<b>Location Restrictions:</b>	<i>Remain in painted lane</i>

**Comments:**

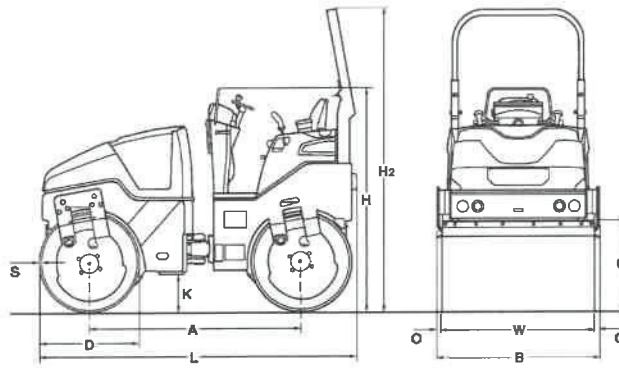
Equipment configuration, weights, and specifications on following pages. Approval does not apply to posted bridges. Other construction equipment is not allowed to operate on or cross bridge at the same time this equipment is on the bridge. Equipment must be empty while crossing. Vibratory system must be turned off while on bridge.

# TECHNICAL DATA

TANDEM ROLLERS

BW 135 AD-5, **BW 138 AD-5**





**Dimensions in inch**

	A	B	C	D	H	H2	K	L	O	S	W
BW 135 AD-5	74.8	54.7	27.6	35.4	74.8	106.3	13.4	111.8	1.7	0.63	51.2
BW 138 AD-5	74.8	57.8	27.6	35.4	74.8	106.3	13.4	111.8	1.7	0.71	54.3

**Shipping dimensions in cub.yd**

BW 135 AD-5  
 BW 138 AD-5

**without ROPS**

9,803  
 10,358

**with ROPS**

13,931  
 14,721

Machine type	Compaction output (cub.yd/h) at recommended soil layer thicknesses		
	Gravel, sand	Mixed soil	Silt, clay
BW 135 AD-5	117.7-235.4	91.6-183.1	52.3-104.6
BW 138 AD-5	130.8-261.6	104.6-209.3	52.3-104.6

Machine type	Compaction output (t/h) at different asphalt layer thicknesses		
	0.8-1.6 in	2.4-3.1 in	3.9-5.5 in
BW 135 AD-5	39.2-71.9	65.4-111.2	98.1-170.0
BW 138 AD-5	39.2-71.9	65.4-117.7	98.1-176.6

## Technical Data

## BOMAG BW 135 AD-5

## BOMAG BW 138 AD-5

### Weights

Operating weight w. ROPS CECE .....	lb	8,929	9,921
Average static linear load CECE .....	lb/in	87.4	91.3
Grossweight .....	lb	12,125	12,125

### Dimensions

Working width .....	in	51.2	54.3
Track radius, inner .....	in	104.9	103.0

### Driving Characteristics

Speed .....	mph	0- 6.2	0- 6.2
Working speed with vibration .....	mph	0- 6.2	0- 6.2
Max. gradeability without/with vibr. ....	%	40/30	40/30

### Drive

Engine manufacturer .....		Kubota	Kubota
Type .....		V2403	V2403
Emission stage .....		Stage V / TIER4f	Stage V / TIER4f
Exhaust gas aftertreatment .....		DPF	DPF
Cooling .....		water	water
Number of cylinders .....		4	4
Performance ISO 14396 .....	hp	45.7	45.7
Performance SAE J 1995 .....	hp	45.7	45.7
Speed .....	rpm	2,400	2,400
Speed adjustment 1 .....	rpm	2,300	2,300
Speed adjustment 2 .....	rpm	2,530	2,530
Electric equipment .....	V	12	12
Driven drum .....		front + rear	front + rear

### Brakes

Service brake .....		hydrost.	hydrost.
Parking brake .....		hydromec.	hydromec.

### Steering

Steering system .....		oscil.artic.	oscil.artic.
Steering method .....		hydrost.	hydrost.
Steering / oscillating angle +/- .....	deg	32/10.0	32/10.0
Crab walk .....	in	0- 2.0	0- 2.0

### Exciter system

Vibrating drum .....		front + rear	front + rear
Drive system .....		hydrost.	hydrost.
Frequency .....	vpm	3,000.0/3,360.0	3,000.0/3,360.0
Amplitude .....	in	0.020	0.020
Centrifugal force .....	lb	8,700/10,858	10,161/12,814

### Sprinkler System

Type of sprinkling .....		pressure	pressure
--------------------------	--	----------	----------

### Capacities

Fuel .....	gal	14.5	14.5
Water .....	gal	81.9	81.9

Technical modifications reserved. Machines may be shown with options.