

Montana Department of Transportation Bridge Bureau Approved Construction Equipment List

Make:	<i>BOMAG</i>
Model:	<i>BW11RH</i>
Equipment Type:	<i>Pneumatic Tired Roller</i>
Contractor Modifications:	<i>None</i>

Interstate Approval Conditions

<i>Approval Type</i>	<i>Crossing Only</i>
<i>Speed:</i>	<i>No Restriction</i>
<i>Weight:</i>	<i>25,200 lb or less</i>
<i>Traffic:</i>	<i>Approved with regular traffic</i>
<i>Location Restrictions:</i>	<i>No Restriction</i>

Non-Interstate Approval Conditions

<i>Approval Type</i>	<i>Crossing Only</i>
<i>Speed:</i>	<i>No Restriction</i>
<i>Weight:</i>	<i>25,200 lb or less</i>
<i>Traffic:</i>	<i>Approved with regular traffic</i>
<i>Location Restrictions:</i>	<i>No Restriction</i>

Comments:

Equipment configuration, weights, and specifications on following pages. Approval does not apply to posted bridges. Other construction equipment is not allowed to operate on or cross bridge at the same time this equipment is on the bridge. Equipment must be empty while crossing.

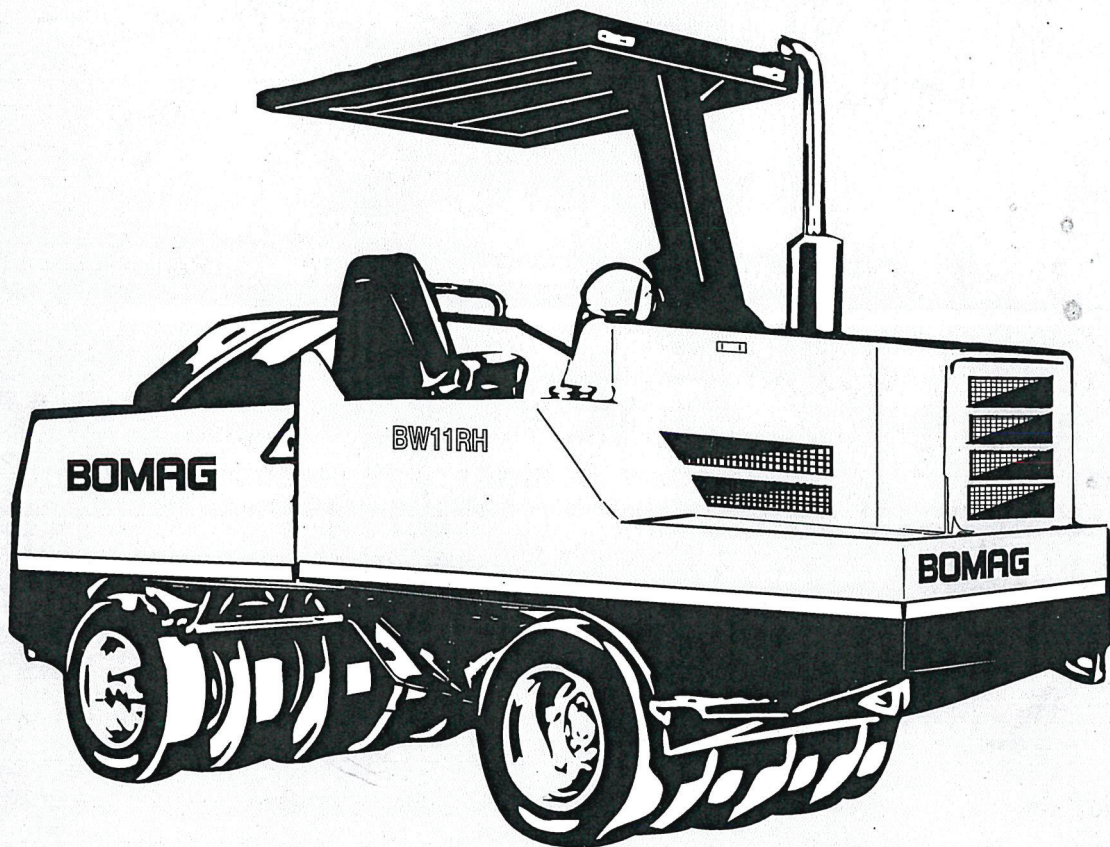
#1166

#1162

BOMAG

Instructions for repair

BW11RH



Pneumatic Tired Roller

Section 2 SPECIFICATIONS

TABLE 2-11. DIMENSION AND WEIGHT SPECIFICATIONS [see figure 2-1].

ITEM	DESIGN DATA
DIMENSIONS	
A. Overall Height to Top of ROPS/FOPS	113 in. [2 870 mm]
B. Height to Top of Steering Wheel	78 in. [1981 mm]
C. Overall Width - Front	64 in. [1 626 mm]
D. Overall Width - Rear	68 in. [1 727 mm]
E. Overall Length	175 in. [4 445 mm]
F. Wheel Base	88 in. [2 235 mm]
G. Ground Clearance	13 in. [330 mm]
H. Compaction Width	68 in. [1 727 mm].
WEIGHTS	
Basic Shipping Weight	8,000 lbs. [3 632 kg] - Approximate/calculated, @ this printing
Ballasted Operating Weight [Maximum]	25,200 lbs [11 430 kg] - Approximate/calculated, @ this printing

TRAVEL
[forward
Speed f
Low
Medium
High
EFFECTI'
PER PAS
Width

SYSTEM
Fuel
Engine I
Engine (I
Hydraul
Water S

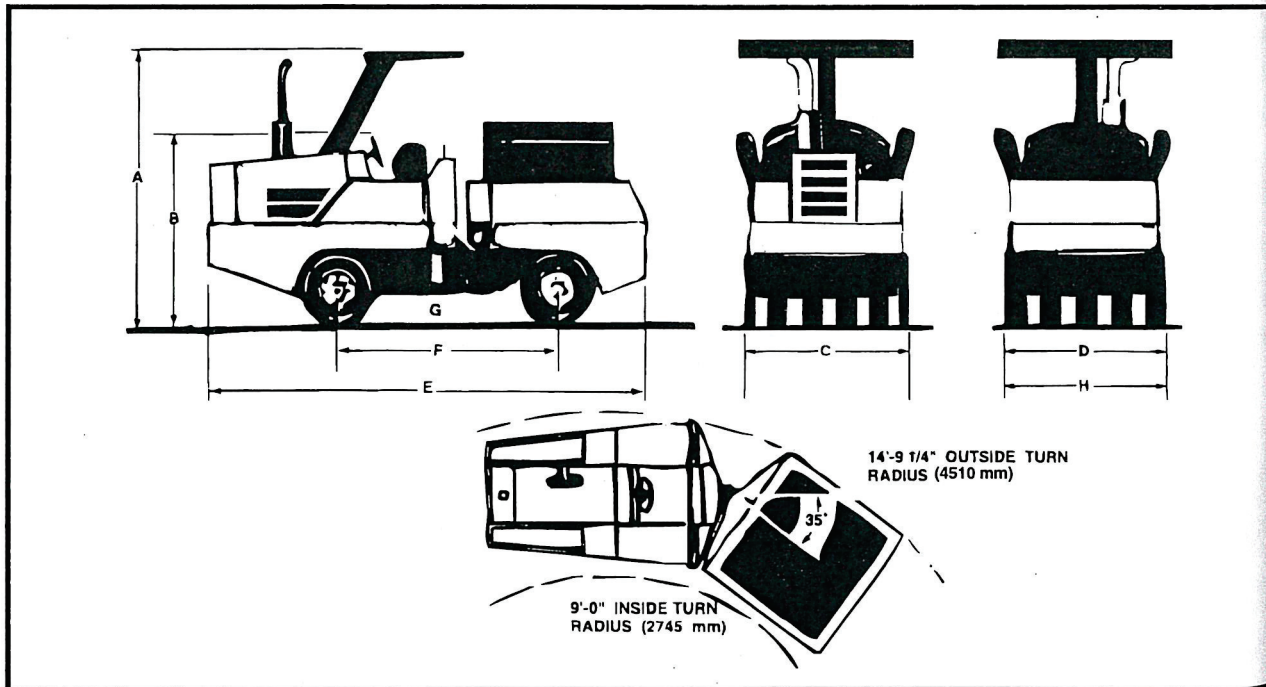


FIGURE 2-1. MACHINE DIMENSIONS.