

## Montana Department of Transportation Bridge Bureau Approved Construction Equipment List

<b>Make:</b>	<i>Caterpillar</i>
<b>Model:</b>	<i>CC6200 VI</i>
<b>Equipment Type:</b>	<i>Vibrating Roller</i>
<b>Contractor Modifications:</b>	<i>None</i>

### Interstate Approval Conditions

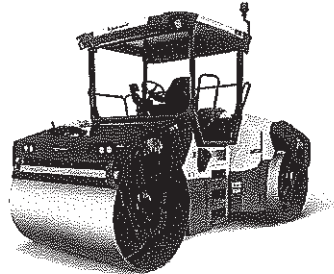
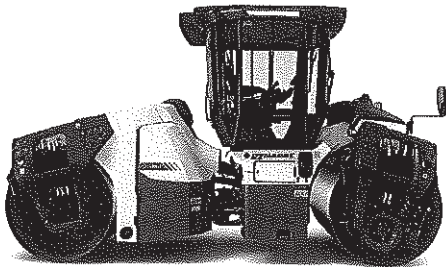
<b>Approval Type</b>	<i>Crossing Only</i>
<b>Speed:</b>	<i>No Restriction</i>
<b>Weight:</b>	<i>30,800 lb or less</i>
<b>Traffic:</b>	<i>Approved with regular traffic</i>
<b>Location Restrictions:</b>	<i>No Restriction</i>

### Non-Interstate Approval Conditions

<b>Approval Type</b>	<i>Crossing Only</i>
<b>Speed:</b>	<i>No Restriction</i>
<b>Weight:</b>	<i>30,800 lb or less</i>
<b>Traffic:</b>	<i>Approved with regular traffic</i>
<b>Location Restrictions:</b>	<i>No Restriction</i>

**Comments:**

Equipment configuration, weights, and specifications on following pages. Approval does not apply to posted bridges. Other construction equipment is not allowed to operate on or cross bridge at the same time this equipment is on the bridge. Equipment must be empty while crossing. Vibratory system must be turned off while on bridge.



## TECHNICAL DATA

### MASSES

Max. operating mass	30,800 lbs
Operating mass (incl. ROPS)	27,300 lbs
Module mass (front/rear)	13,700 lbs/13,700 lbs

### COMPACTION

Centrifugal force (high/low amplitude)	35,300 lb/23,160 lb
Nominal amplitude (high/low)	0.031 in/0.012 in
Static linear load (front/rear)	163 pli/163 pli
Vibration frequency (high/low amplitude)	3,060 vpm/4,020 vpm
Water tank	224 gal/(277 gal w. opt. watert.)

### COMPACTION (CE)

Centrifugal force (high/low amplitude)	115 kN/73 kN
Vibration frequency (high/low amplitude)	44 Hz/58 Hz

### PROPULSION

Speed range	0-7.5 mph
Vertical oscillation	±7°
Max. theoretical gradeability	32 %

### ENGINE

Manufacturer/Model	Cummins F3.8 V
Type	Water cooled turbo diesel
Rated power, SAE J1995	100 kW (135 hp) @ 2200 rpm
Fuel tank capacity	48 gal
DEF tank capacity	4 gal

### ENGINE

Manufacturer/Model	Cummins QSF3.8 IV/T4f
Type	Water cooled turbo diesel
Rated power, SAE J1995	97 kW (130 hp) @ 2200 rpm
Fuel tank capacity	48 gal
DEF tank capacity	4 gal

### ENGINE

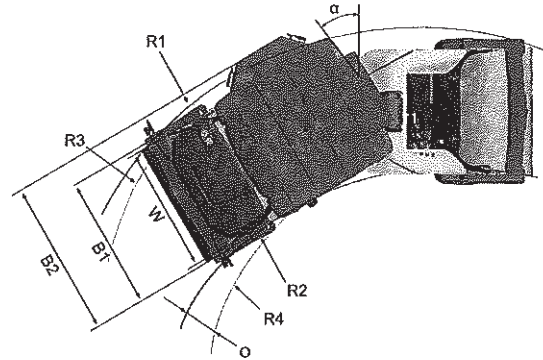
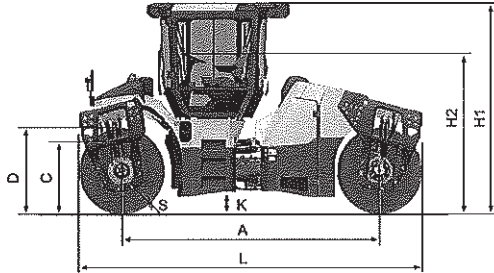
Manufacturer/Model	Cummins QSF 3.8 IIIA/T3
Type	Water cooled turbo diesel
Rated power, SAE J1995	104 kW (140 hp) @ 2200 rpm

### HYDRAULIC SYSTEM

Driving	Axial piston pump with variable displacement. Radial piston motors (2) with variable displacement.
Vibration	Axial piston pumps (2) with variable displacement. Axial piston motors (2) with constant displacement.
Steering	Gear pump with constant displacement.
Service brake	Hydrostatic in forward and reverse lever.
Parking/Emergency brake	Failsafe multidisc brake in both drums.

Find us locally at [www.dynapac.com](http://www.dynapac.com)

We reserve the right to change specifications without notice. Photos and illustrations do not always show standard versions of machines. The above information is a general description only, all information's are supplied without liability.



## DIMENSIONS

### DIMENSIONS

A. Wheelbase	148 in
B1. Width, front	93 in
B2. Width, with cab	98 in
C. Curb clearance	32 in
D. Drum diameter	51 in
H. Height, with ROPS/cab	118 in
K. Ground clearance	12 in
L. Length	199 in
R1. Turning radius, outside	295 in
R2. Turning radius, inside	211 in
S. Drum shell thickness	0.79 in
W. Working width	84 in
α. Steering angle	±32°

### OPTIONAL EQUIPMENT

#### Air Conditioning /Automatic Climate Control (ACC) (Optional)

- The system contains fluorinated greenhouse gases.
- Coolant designation: HFC-134a
- Coolant weight when full: 1,6 kg
- CO<sub>2</sub>-equivalent: 2,288 ton
- GWP: 1430

Find us locally at [www.dynapac.com](http://www.dynapac.com)

We reserve the right to change specifications without notice. Photos and illustrations do not always show standard versions of machines. The above information is a general description only, all information's are supplied without liability.