

Montana Department of Transportation Bridge Bureau Approved Construction Equipment List

Make:	<i>Caterpillar</i>
Model:	<i>PS150C</i>
Equipment Type:	<i>Pneumatic Roller</i>
Contractor Modifications:	<i>None</i>

Interstate Approval Conditions

Approval Type	<i>Crossing Only</i>
Speed:	<i>No Restriction</i>
Weight:	<i>28,535 lb or less</i>
Traffic:	<i>Approved with regular traffic</i>
Location Restrictions:	<i>No Restriction</i>

Non-Interstate Approval Conditions

Approval Type	<i>Crossing Only</i>
Speed:	<i>No Restriction</i>
Weight:	<i>28,535 lb or less</i>
Traffic:	<i>Approved with regular traffic</i>
Location Restrictions:	<i>No Restriction</i>

Comments:

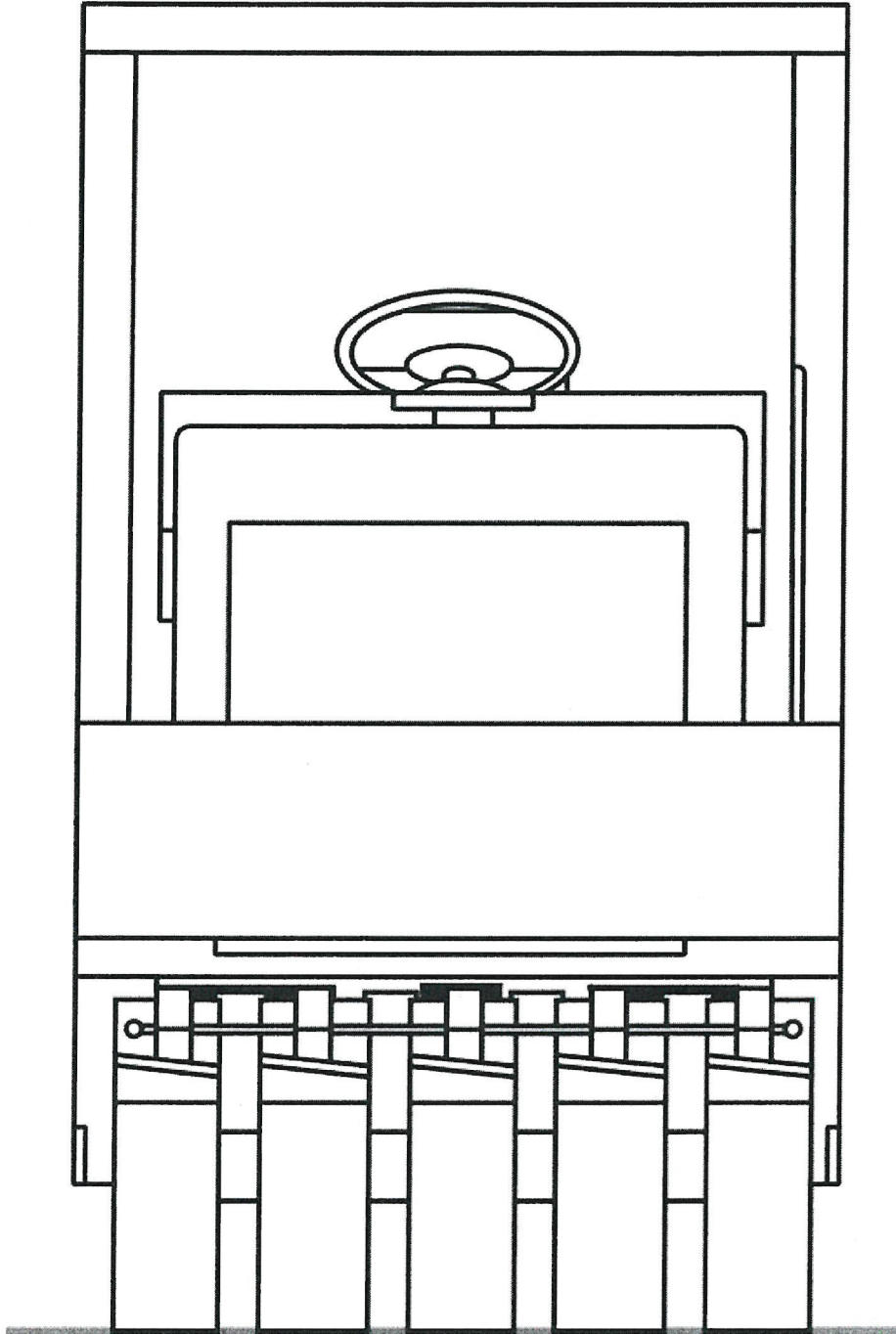
Equipment configuration, weights, and specifications on following pages. Approval does not apply to load posted bridges. Other construction equipment is not allowed to operate on or cross bridge at the same time this equipment is on the bridge.

[Home \(https://titanww.com/equipmentspecs\)](https://titanww.com/equipmentspecs)

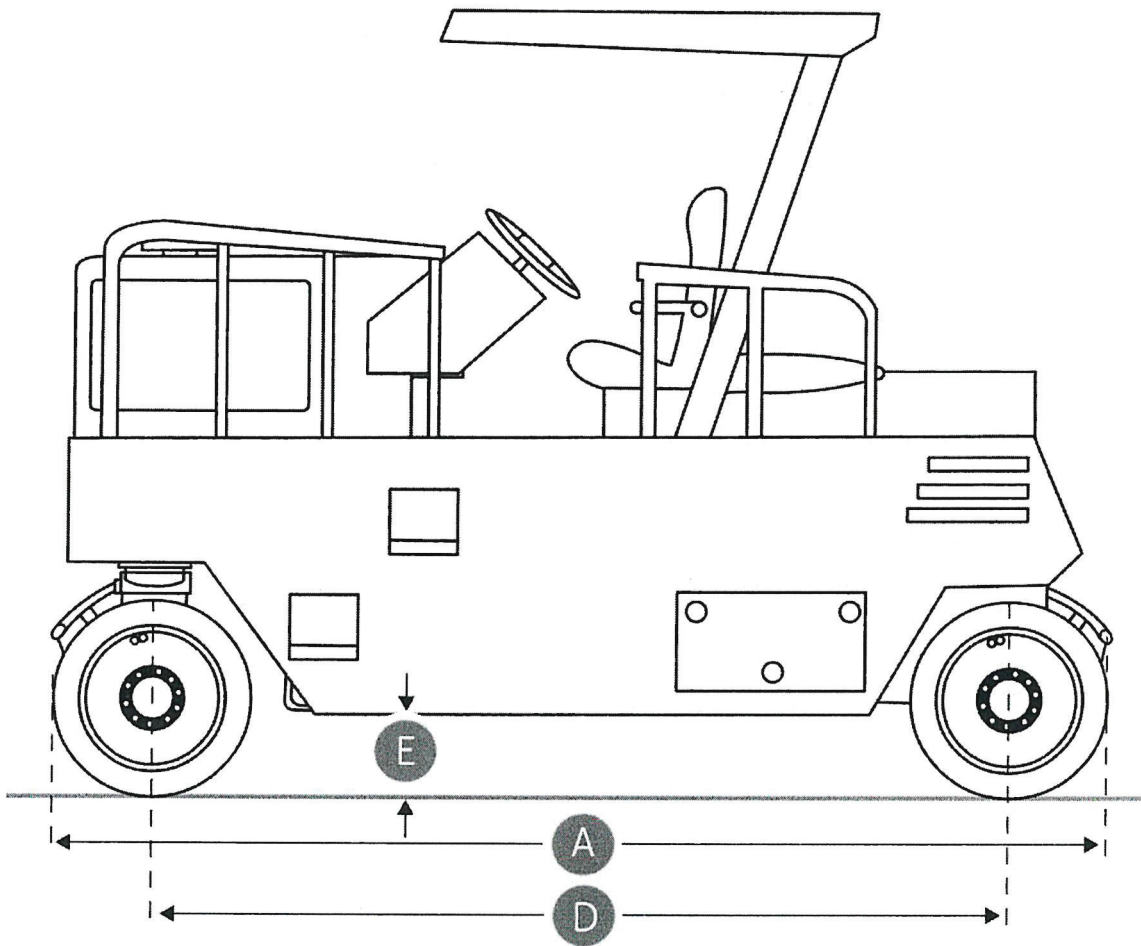
>

Caterpillar PS150C Pneumatic Roller

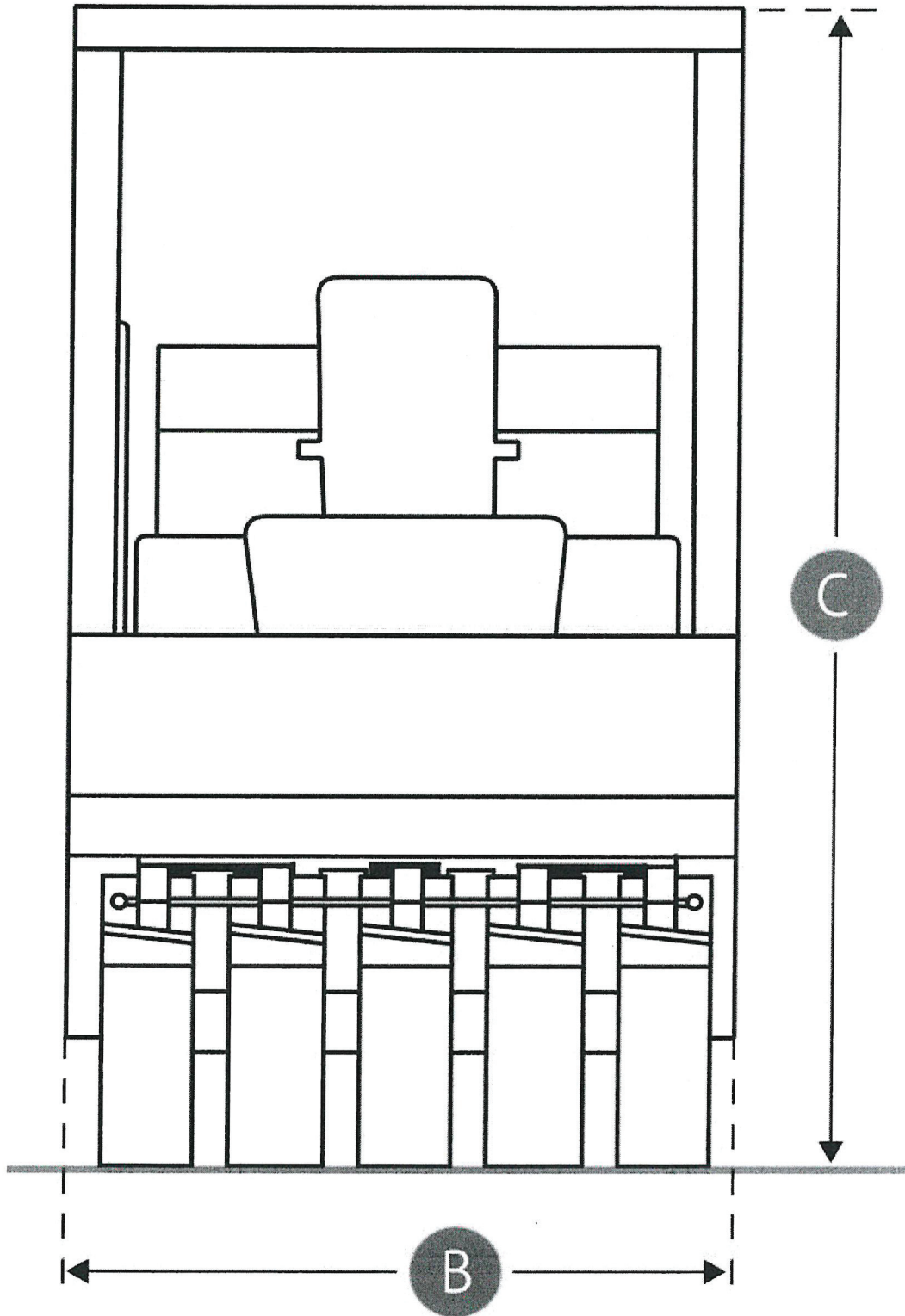
Caterpillar PS150C Pneumatic Roller Dimensions & Specs



(https://titanww.com/equipmentspecs/wp-content/themes/leadengine-child/images/models/pneumatic_roller_front.jpg)



(https://titanww.com/equipmentspecs/wp-content/themes/leadengine-child/images/models/pneumatic_roller_side.jpg)



(https://titanww.com/equipmentspecs/wp-content/themes/leadengine-child/images/models/pneumatic_roller_back.jpg)

Transport a Caterpillar PS150C Pneumatic Roller

Transporting a Caterpillar (https://www.cat.com/en_US/products/new/equipment.html) PS150C Pneumatic Roller is a process that involves multiple steps, each requiring careful attention and expertise. First, the Caterpillar (<https://titanww.com/equipmentspecs/manufacture/caterpillar/>) PS150C Pneumatic Roller is prepared for transport, which may involve disassembling larger components and securing fragile parts. During the loading phase, special equipment like forklifts or cranes may be used

Read more

Dimensions

Imperial	Metric
----------	--------

Dimensions

A	Overall Length	169 in
B	Overall Width	5.67 ft in
C	Height To Top Of Rops	9.85 ft in
D	Wheelbase	10.96 ft in
E	Ground Clearance	0.88 ft in
	Height - Steering Wheel	91 in
	Maximum Machine Height	

118 in

Operating Specifications

E

Ground Clearance

0.88 ft in

Number Of Wheels

9

Compaction Width

68 in

Travel Speed - Maximum

15.9 mph

Turning Radius - Inside

15.25 ft in

Specifications

Engine

Number Of Cylinders

4

Engine Make

2236

Engine Model

3054C

Gross Power

100 hp

Net Power

96.6 hp

Power Measured @

2200 rpm

Displacement

268.6 cu in

Aspiration

turbocharged

Engine Model

3054C

Operational

Fuel Capacity

45.8 gal

Cooling System Fluid Capacity

4.3 gal

Engine Oil Capacity

2 gal

Hydraulic System Fluid Capacity

14.6 gal

Water Spray Tank Fluid Capacity

104.1 gal

Max Speed

16 mph

Operating Voltage

24 V

Alternator Supplied Amperage

55 amps

Weights

Operating Weight - Standard

10769.6 lb

Operating Weight - Max Ballast

28527.9 lb

Average Weight Per Wheel - Standard

1201.6 lb

Average Weight Per Wheel - Max Ballast

3174.7 lb

Tires

Number Of Tires - Front

5

Number Of Tires - Rear

4

Standard Tire Size

8.50/90x15 6-ply

Oscillation Angle

4.4 degrees

Wheel Track/Tire Overlap

0.6 in

Tires

6-ply 8.50/90 x 15

Weights

Operating Weight - No Ballast

10775 lb

Average Weight Per Wheel - No Ballast

1200 lb

Average Weight Per Wheel - Maximum Ballast

3180 lb

Operating Weight - Maximum Ballast

28535 lb

Service Refill Capacities

Fuel Tank Capacity

45.6 gal

Water Spray Tank Capacity

104 gal

[Request A Quote](#)

CONTACT US

Sales Inquiries: **(888) 500-8884 (tel:8885008884)**

Carrier Services: **(469) 619-1999 (tel:469-619-1999)**

EMAIL US

solutions@titanww.com

FEATURED LINKS

Blog (<https://titanww.com/blog/>)

Resources (<https://titanww.com/resources/>)

Projects Gallery (<https://titanww.com/projects-gallery/>)

Services (<https://titanww.com/services/>)

Industries (<https://titanww.com//industries/>)

Carriers (<https://titanww.com/carriers/>)

Become An Agent (<https://titanww.com/careers/agent-program/>)

About TWW (<https://titanww.com/about-us/>)

Contact Us (<https://titanww.com/contact-us/>)

SHIPMENT TRACKING

Contact customer service or your local office

SOCIAL MEDIA

an- (<https://www.facebook.com/titanworldwidelogistics>) (<https://twitter.com/titanlogistics>) (<https://www.i>
)