

## Montana Department of Transportation Bridge Bureau Approved Construction Equipment List

<b>Make:</b>	<i>Entyre</i>
<b>Model:</b>	<i>K7325</i>
<b>Equipment Type:</b>	<i>Chipsreader</i>
<b>Contractor Modifications:</b>	<i>None</i>

### Interstate Approval Conditions

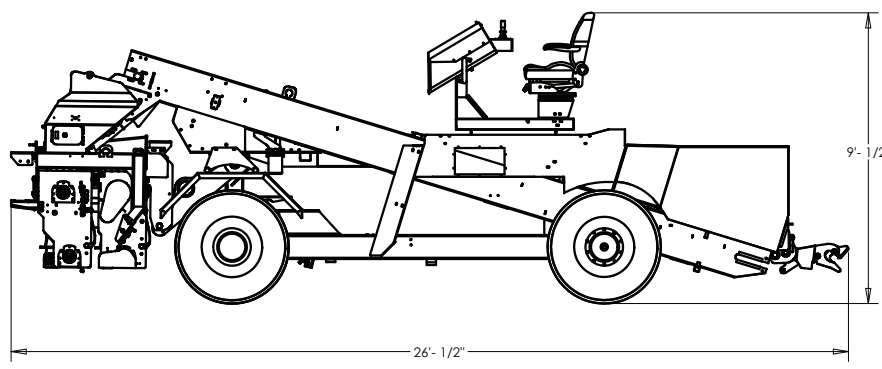
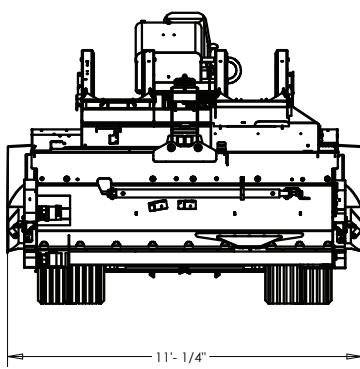
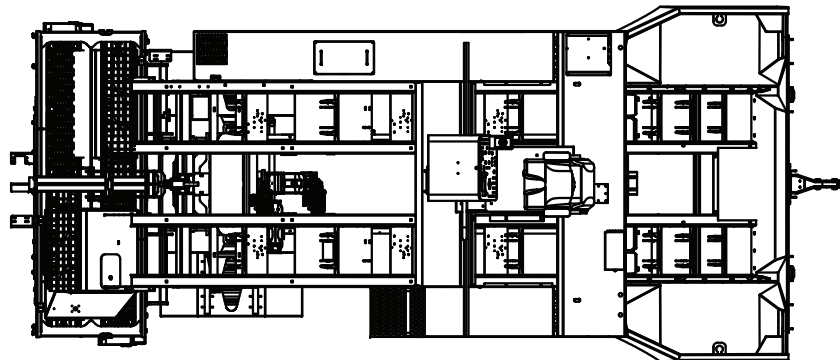
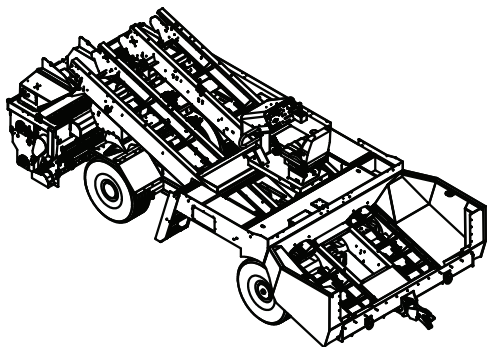
<i>Approval Type</i>	<i>Crossing Only</i>
<i>Speed:</i>	<i>No restriction</i>
<i>Weight:</i>	<i>37,565 lb or less</i>
<i>Traffic:</i>	<i>Approved with regular traffic</i>
<i>Location Restrictions:</i>	<i>No restriction</i>

### Non-Interstate Approval Conditions

<i>Approval Type</i>	<i>Crossing Only</i>
<i>Speed:</i>	<i>No restriction</i>
<i>Weight:</i>	<i>37,565 lb or less</i>
<i>Traffic:</i>	<i>Approved with regular traffic</i>
<i>Location Restrictions:</i>	<i>No restriction</i>

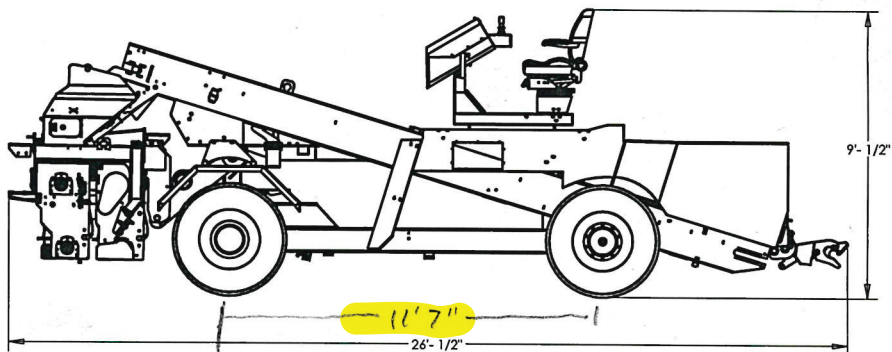
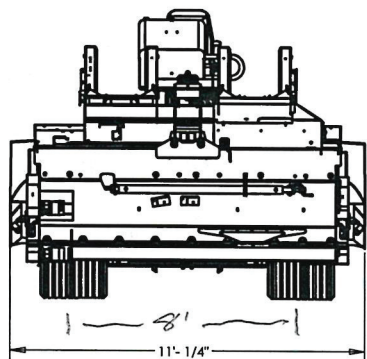
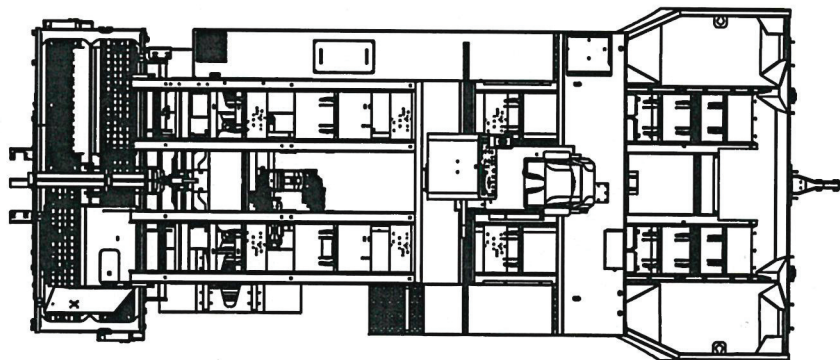
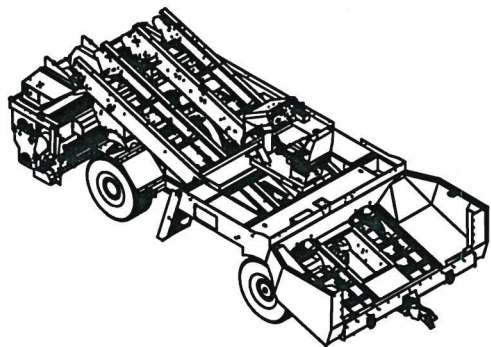
**Comments:**

Equipment configuration, weights, and specifications on following pages. Approval does not apply to posted bridges. Other construction equipment is not allowed to operate on or cross bridge at the same time this equipment is on the bridge.



REVISIONS			
REV	DESCRIPTION	DATE	APPROVED

GENERAL NOTES: REMOVE ALL BURRS BREAK SHARP EDGES MINIMUM BEND RAD. UNLESS SPECIFIED BEND RELIEF SHOP OPTION	DFT: _____ CHK: _____ ENGR: _____ APPD: _____	<b>E.D. ETNYRE &amp; CO.</b> OREGON, I.L. 61061	
	TOLERANCE UNLESS SPECIFIED FRACTIONAL ± 1/32 DECIMAL .XX ± .03 .XXX ± .015 .XXXX ± .01	ALL DIMENSIONS IN INCHES - DO NOT SCALE DWG	
SER. NO.: _____ SIM. TO: _____ WEIGHT: _____ DRW FILE: Etnyre Chipspreader.dwg	DRAWING TITLE <b>ETNYRE CHIPSREADER</b>		
DWG SIZE C	DRAWING NO. _____	REV _____	SCALE 1:30    DATE _____    SHEET 1 OF 1



REVISIONS			
REV	DESCRIPTION	DATE	APPROVED

Add weight for 50 gal fuel tank and 165 lb operator.

Hopper capacity: 4CY

Type 1/2 chips: 3000lbs/CY

Full hopper = 12,000lbs + 25,000lbs (empty)

37,565 lb total

16,400lbs Front Axle weight  
 25000 lbs Total  
 8600 lbs Rear Axle weight

= 37,000 lbs

No canopy, no additional tooling.

GENERAL NOTES: REMOVE ALL BURRS BREAK SHARP EDGES MINIMUM BEND RAD. UNLESS SPECIFIED BEND RELIEF SHOP OPTION	DFT:	_____	E.D. ETNYRE & CO.	
	CHKR:	_____	OREGON, I.L. 61061	
	ENGR:	_____	ALL DIMENSIONS IN INCHES DO NOT SCALE DWG	
	APPD:	_____	DRAWING TITLE	
SER. NO.:	TOLERANCE UNLESS SPECIFIED	_____	ETNYRE CHIPSREADER	
SIM. TO:	FRACTIONAL: 1/32	_____	DWG. NO.	REV
WBGHT:	DECIMAL	_____	C	
DRW FILE: Etnyre Chipsreaders	XXX: .03	_____	SCALE 1:30	DATE
	XXXX: .015	_____		SHEET 1 OF 1
	XXXXX: .015	_____		