

## Montana Department of Transportation Bridge Bureau Approved Construction Equipment List

<b>Make:</b>	<i>CAT</i>
<b>Model:</b>	<i>PM622</i>
<b>Equipment Type:</b>	<i>Cold Planer</i>
<b>Contractor Modifications:</b>	<i>None</i>

### Interstate Approval Conditions

<b>Approval Type</b>	<i>Crossing only</i>
<b>Speed:</b>	<i>No restriction</i>
<b>Weight:</b>	<i>74,737 lb or less</i>
<b>Traffic:</b>	<i>Approved with regular traffic</i>
<b>Location Restrictions:</b>	<i>No restriction</i>

### Non-Interstate Approval Conditions

<b>Approval Type</b>	<i>Denied</i>
<b>Speed:</b>	<i>Denied</i>
<b>Weight:</b>	<i>Denied</i>
<b>Traffic:</b>	<i>Denied</i>
<b>Location Restrictions:</b>	<i>Denied</i>

**Comments:**

Equipment configuration, weights, and specifications on following pages. Approval does not apply to posted bridges. Other construction equipment is not allowed to operate on or cross bridge at the same time this equipment is on the bridge.

# TECHNICAL SPECIFICATIONS

Built in the U.S.A. for the North American market.

ENGINE	
Engine Model	Cat C18
Gross Power – SAE J1995	470 kW 630 hp
Gross Power – ISO 14396	462.5 kW 620.2 hp
Emissions	
– U.S. EPA Tier 4 Final, EU Stage V, Korea Tier 4 Final	
– Brazil MAR-1 and China Nonroad Stage III emission standards, equivalent to U.S. EPA Tier 3 and EU Stage IIIA	
Build Number	02B
Maximum Milling Speed	100 m/min 328 ft/min
Maximum Travel Speed	5.9 km/h 3.7 mph

CUTTING SYSTEM	
PM620 Milling Width	2010 mm 79.1 in
PM620 Number of Bits (15 mm spacing)	178
PM622 Milling Width	2235 mm 88.0 in
PM622 Number of Bits (15 mm spacing)	185
Maximum Cutting Depth	330 mm 13.0 in
Rotor Speeds	100 / 109 / 118 rpm
Minimum Left Cutting Radius	2.00 m 6.56 ft
PM620 Minimum Right Cutting Radius	2.00 m 6.56 ft
PM622 Minimum Right Cutting Radius	1.80 m 5.91 ft

MACHINE WEIGHT	
PM620 Operating Weight	33 330 kg 73,480 lb
PM620 Transport Weight	29 430 kg 64,882 lb
PM622 Operating Weight	33 900 kg <b>74,737 lb</b>
PM622 Transport Weight	30 000 kg 66,139 lb

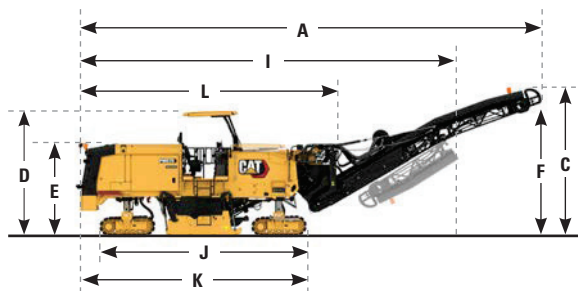
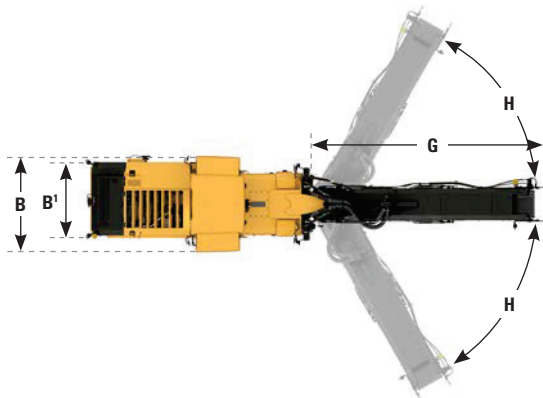
Weights shown are approximate and include:

- Operating weights include coolants, lubricants, full fuel tank, full water tank and 75 kg (165 lb) operator.
- Transport weights include coolants, lubricants, 50% full fuel tank and empty water tank.

SERVICE REFILL CAPACITIES	
Fuel Tank	1108 L 292.7 gal
Diesel Exhaust Fluid (DEF) Tank	47 L 12.4 gal
Cooling System	85 L 22.5 gal
Engine Oil	65 L 17.2 gal
Hydraulic Oil	113 L 29.9 gal
Water Tank	3400 L 898.2 gal

DIMENSIONS	
<b>A</b> Overall Length (conveyor raised)	14.52 m 47.64 ft
<b>B</b> PM620 Maximum Machine Width	3.11 m 10.20 ft
PM622 Maximum Machine Width	3.11 m 10.20 ft
<b>B'</b> PM620 Minimum Machine Width	2.48 m 8.14 ft
PM622 Minimum Machine Width	2.71 m 8.89 ft
<b>C</b> Maximum Height (conveyor raised)	5.23 m 17.16 ft
<b>D</b> Height to Optional Canopy	4.05 m 13.29 ft
<b>E</b> Height (canopy lowered/no canopy)	3.00 m 9.84 ft
<b>F</b> Maximum Truck Clearance	4.86 m 15.94 ft
<b>G</b> Conveyor Length	8.38 m 27.49 ft
<b>H</b> Conveyor Swing	±60° from center

SHIPPING DIMENSIONS	
<b>I</b> Transport Length	12.43 m 40.78 ft
<b>B'</b> PM620 Transport Width	2.48 m 8.14 ft
<b>B'</b> PM622 Transport Width	2.71 m 8.89 ft
<b>E</b> Transport Height (canopy lowered)	3.00 m 9.84 ft
<b>J</b> Length (track to track)	6.69 m 21.95 ft
<b>K</b> Length of Machine (front track to rear)	7.32 m 24.02 ft
<b>L</b> Length of Base Machine	8.33 m 27.33 ft



16 ft CL track to CL track. Assume standard gauge (6 ft width between tracks)