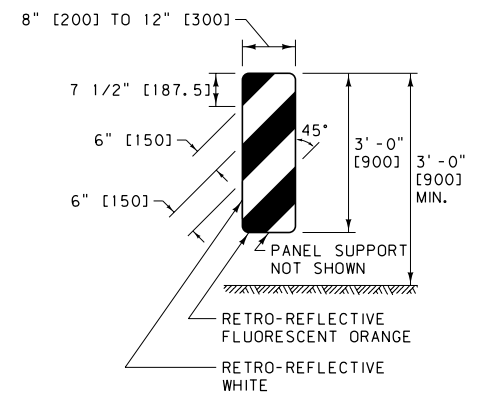


TYPE 2 OBJECT MARKER

TYPE 2 OBJECT MARKER NOTES:

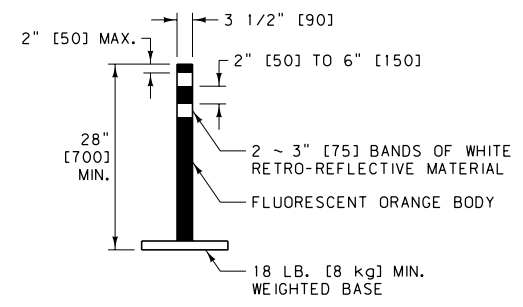
- ① USE TYPE 2 OBJECT MARKERS TO DELINEATE ROADSIDE CONSTRUCTIONS OF THE CLEAR ZONE (i.e. DROP OFFS, OBSTACLES, ABRUPT CHANGES IN ROADWAY ALIGNMENT, ETC.)
 - ② DO NOT USE TYPE 2 OBJECT MARKERS AS CHANNELIZING DEVICES.
 - ③ ATTACH PANELS TO POSTS AT BOTH TOP AND BOTTOM HOLE LOCATIONS.
 - ④ USE RETRO-REFLECTIVE SHEETING AS PER THE CONTRACT.
- * REDUCE OR ELIMINATE THE 2' - 0" [0.6 m] DISTANCE WHEN OBSTACLE OR HAZARD IS LESS THAN 2' - 0" [0.6 m] FROM THE EDGE OF THE DRIVING LANE.



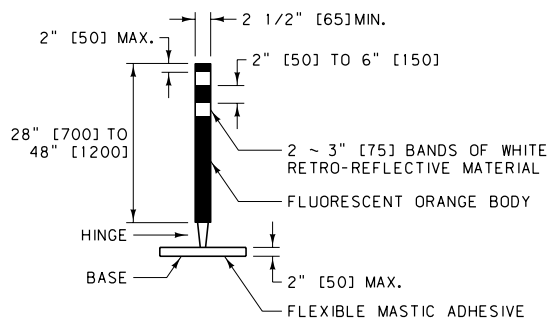
PORTABLE VERTICAL PANEL
(VP-1R SHOWN. REVERSE FOR VP-1L.)

PORTABLE VERTICAL PANEL NOTES:

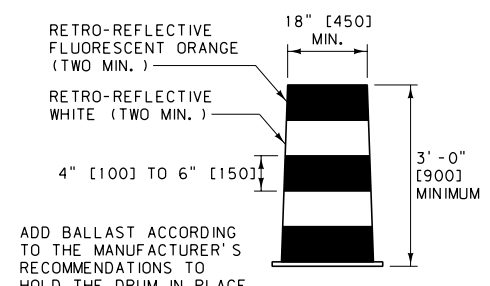
- ① USE PORTABLE VERTICAL PANELS AS CHANNELIZING DEVICES ONLY. DO NOT USE PORTABLE VERTICAL PANELS TO DELINEATE ROADSIDE CONSTRUCTIONS OF THE CLEAR ZONE.
- ② VERTICAL PANELS DESIGNATED "R" ARE PLACED TO THE RIGHT SIDE OF APPROACHING TRAFFIC. THOSE DESIGNATED "L" ARE PLACED TO THE LEFT SIDE.
- ③ USE RETRO-REFLECTIVE SHEETING AS PER THE CONTRACT.



FLEXIBLE GUIDE POST
(TUBULAR MARKER)



HINGED FLEXIBLE GUIDE POST
(TUBULAR MARKER)
(SELF RIGHTING AFTER IMPACT)



PLASTIC DRUM

FLEXIBLE GUIDE POST AND PLASTIC DRUM NOTES:

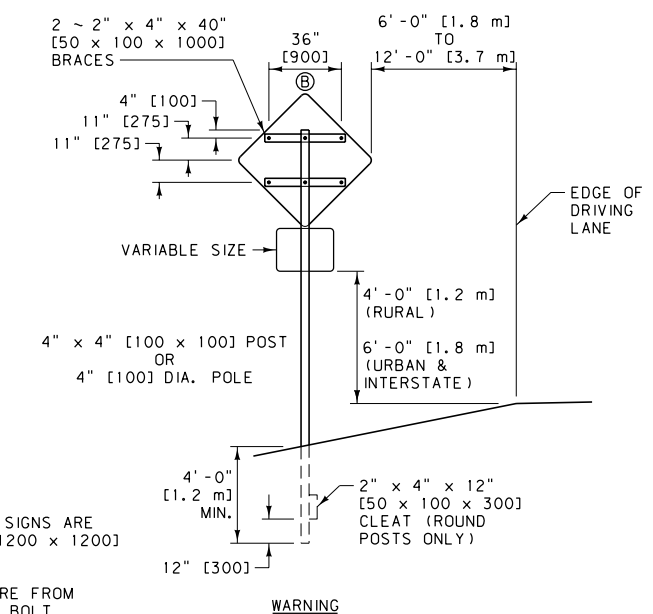
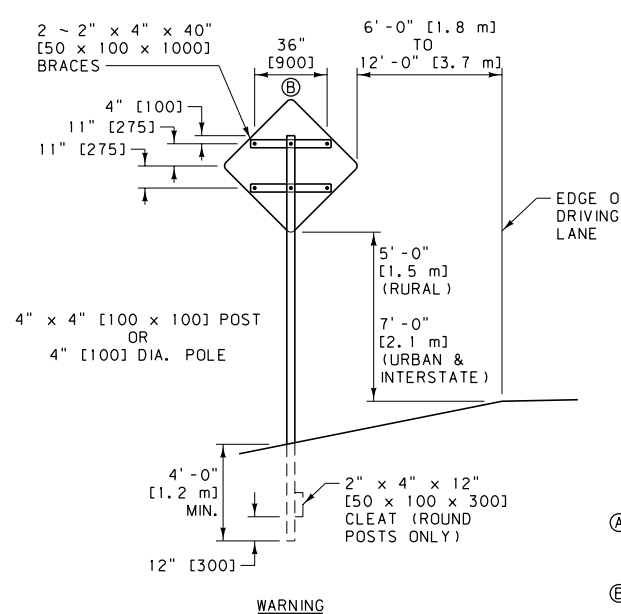
- ① USE FLEXIBLE GUIDE POSTS AND PLASTIC DRUMS AS CHANNELIZING DEVICES.
- ② USE ASTM TYPE III RETRO-REFLECTIVE SHEETING ON ALL PLASTIC DRUMS AND FLEXIBLE GUIDE POSTS.
- ③ USE ONE SIZE GUIDE POST FOR CONTINUOUS RUNS.

GENERAL NOTES:

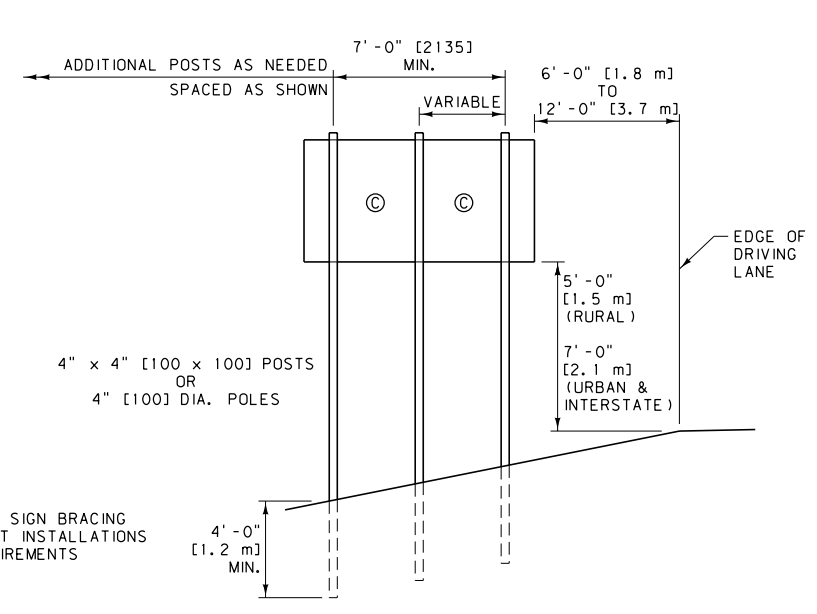
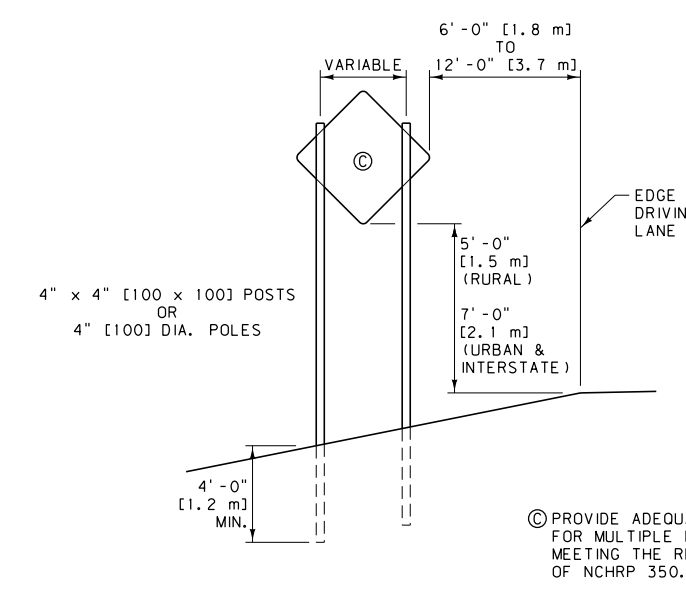
- ① SEE THE MANUAL ON UNIFORM TRAFFIC CONTROL DEVICES (MUTCD) PART 6 FOR ADDITIONAL INFORMATION.

UNITS SHOWN IN BRACKETS [] ARE METRIC AND ARE IN MILLIMETERS (mm) UNLESS OTHER UNITS ARE SHOWN.

DETAILED DRAWING	
REFERENCE STANDARD SPEC. SECTION 618	DWG. NO. 618-00
CHANNELIZING DEVICES AND OBJECT MARKERS	

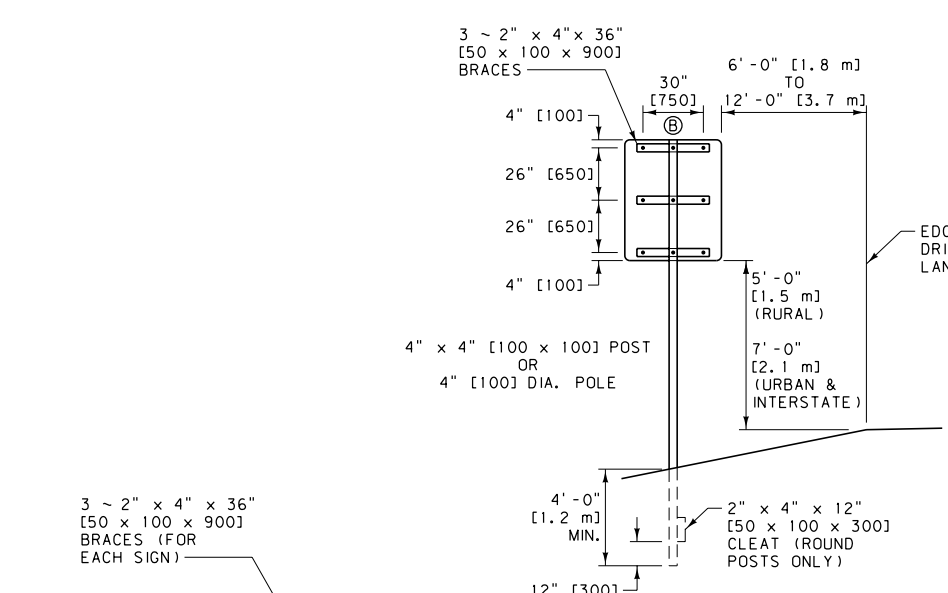


Ⓐ ALL WARNING SIGNS ARE 48" x 48" [1200 x 1200] IN SIZE.
 Ⓑ DIMENSIONS ARE FROM Ⓢ BOLT TO Ⓢ BOLT.

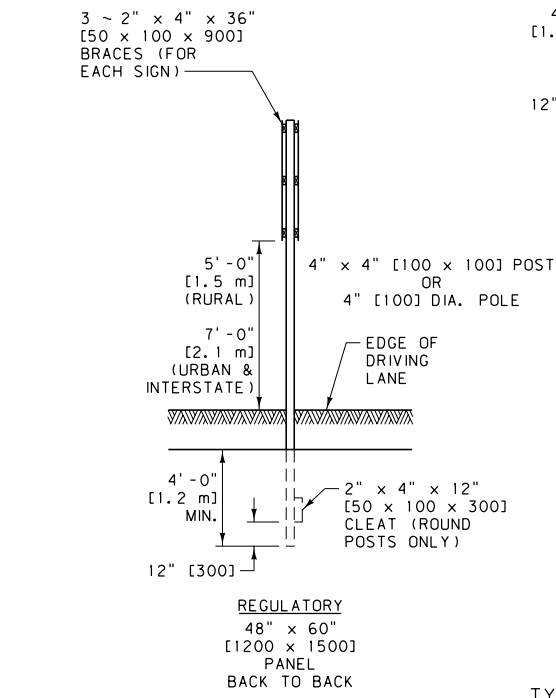


Ⓒ PROVIDE ADEQUATE SIGN BRACING FOR MULTIPLE POST INSTALLATIONS MEETING THE REQUIREMENTS OF NCHRP 350.

TYPICAL MULTIPLE POST INSTALLATIONS
 (FOR CONSTRUCTION SIGNING ONLY)

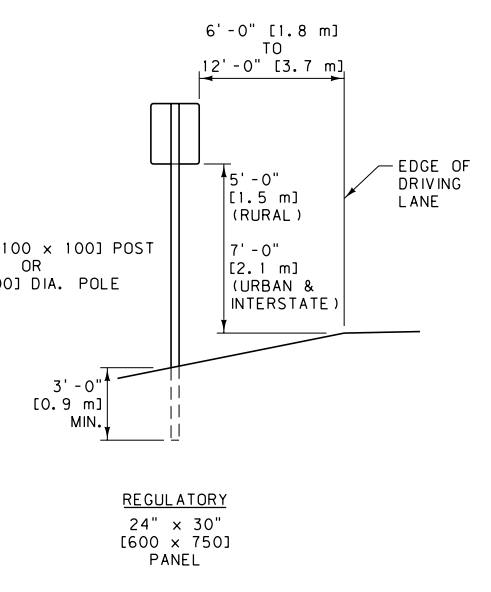


REGULATORY
 48" x 60"
 [1200 x 1500]
 PANEL

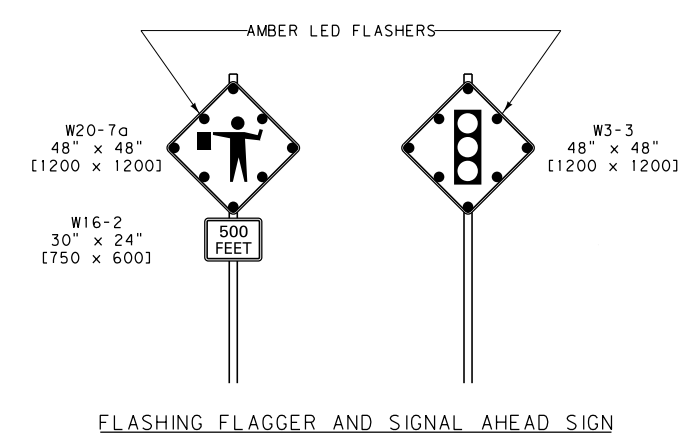


REGULATORY
 48" x 60"
 [1200 x 1500]
 PANEL
 BACK TO BACK

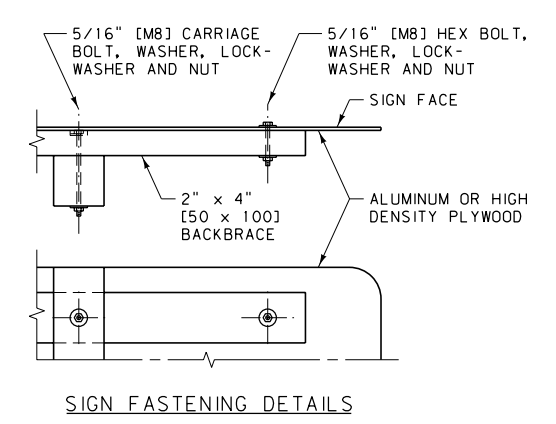
TYPICAL SIGN MOUNTINGS
 (FOR CONSTRUCTION SIGNING ONLY)



REGULATORY
 24" x 30"
 [600 x 750]
 PANEL



FLASHING FLAGGER AND SIGNAL AHEAD SIGN

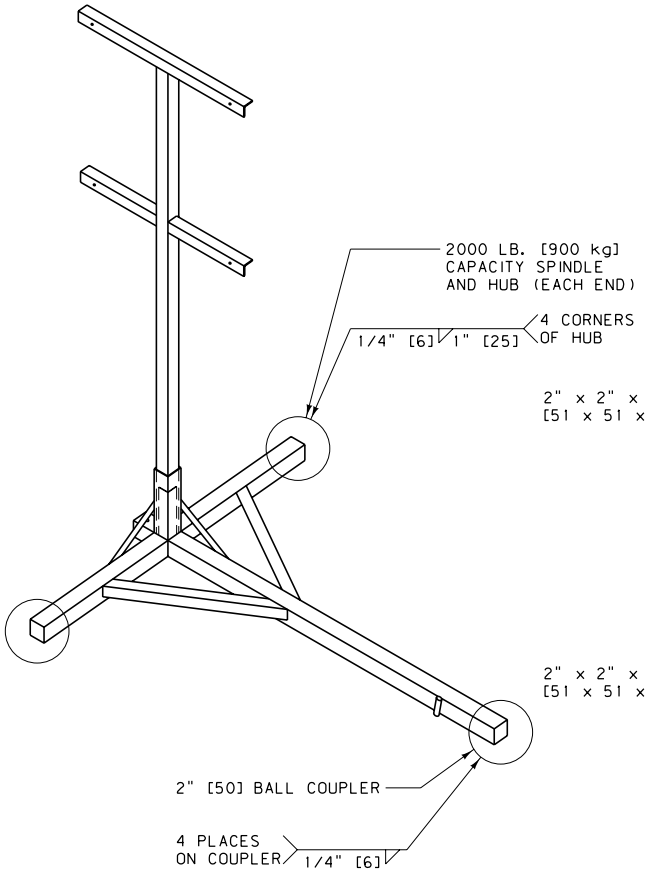


SIGN FASTENING DETAILS

- NOTES:
- ① FURNISH AND INSTALL POSTS OR POLES MEETING NCHRP 350 REQUIREMENTS.
 - ② FURNISH POST OR POLE LENGTHS TO ACCOMMODATE THE FOUNDATION DEPTH, THE MOUNTING HEIGHT AND THE MOUNTINGS
 - ③ BACKFILL FOUNDATION HOLES IN 8" [205] LIFTS, THOROUGHLY TAMPING EACH LIFT.
 - ④ IN HIGH WIND AREAS INSTALL LARGER POSTS OR POLES COMPLYING WITH THE FOUNDATION AND BREAKAWAY REQUIREMENTS OF DTL. DWG. NO. 619-20. THE MINIMUM POST SPACING FOR MULTIPLE POSTS LARGER THAN 4" [100] IS 7' - 0" [2135].
 - ⑤ VERTICAL ALIGNMENT OF SIGNS IS TO BE WITHIN 5" OF PLUMB (1" IN 1' [85 IN 1000]).
 - ⑥ USE THE URBAN MOUNTING HEIGHTS IN BUSINESS, COMMERCIAL, AND RESIDENTIAL DISTRICTS WHERE PARKING AND/OR PEDESTRIAN MOVEMENT IS LIKELY TO OCCUR, OR WHERE THERE ARE OTHER OBSTRUCTIONS TO VIEW. URBAN MOUNTING HEIGHTS MAY ALSO BE USED IN RURAL AREAS FOR INCREASED VISIBILITY.
 - ⑦ ENSURE THE AMBER LED FLASHERS MEET REQUIREMENTS OF STANDARD SPECIFICATION 715.

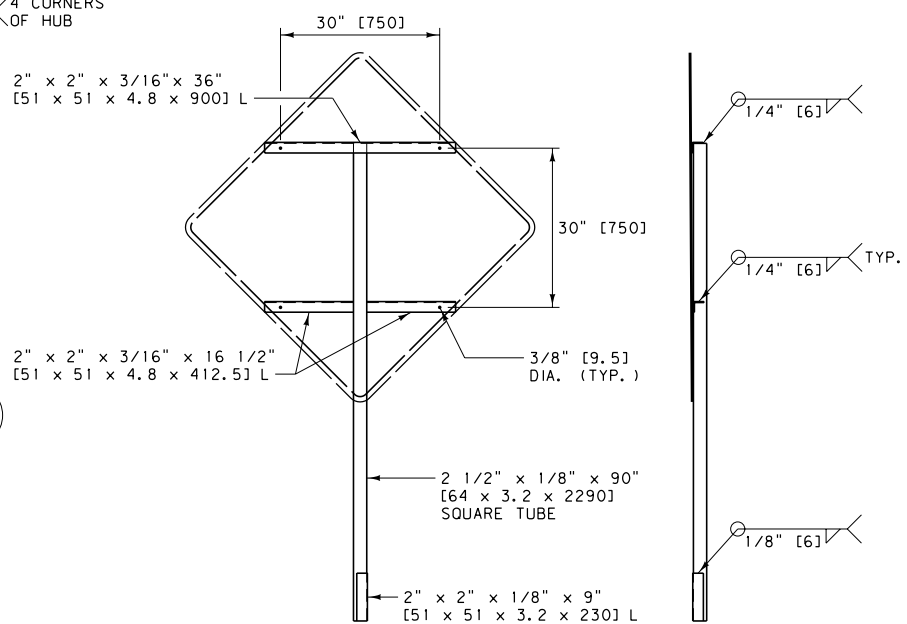
UNITS SHOWN IN BRACKETS [] ARE METRIC AND ARE IN MILLIMETERS (mm) UNLESS OTHER UNITS ARE SHOWN.

DETAILED DRAWING	
REFERENCE STANDARD SPEC. SECTION 618, 715	DWG. NO. 618-01
CONSTRUCTION SIGN DETAILS	
EFFECTIVE: SEPTEMBER 2014	
MONTANA DEPARTMENT OF TRANSPORTATION	



NOTES:

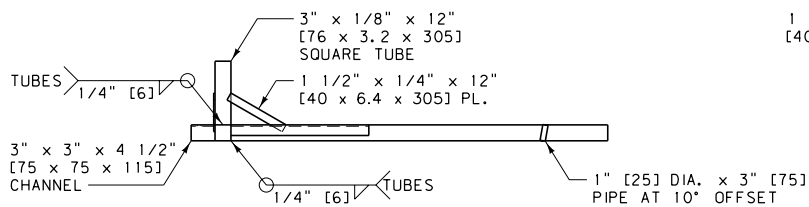
- ① THE MAXIMUM WEIGHT OF THIS ASSEMBLY IS 250 POUNDS [115 kg].
- ② USE A 14" [355] WHEEL AND TIRE.
- ③ AUTOMOTIVE AND EQUIPMENT AXLE ASSEMBLIES MAY NOT BE USED FOR TRAILER-MOUNTED SIGN SUPPORTS.
- ④ OTHER NCHRP 350 OR MASH CRASH TESTED ASSEMBLIES ARE ACCEPTABLE.



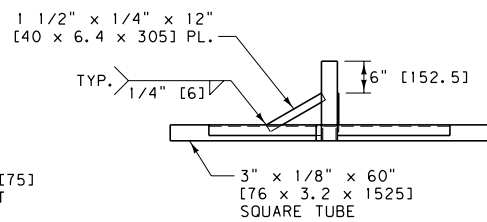
FRONT

RIGHT

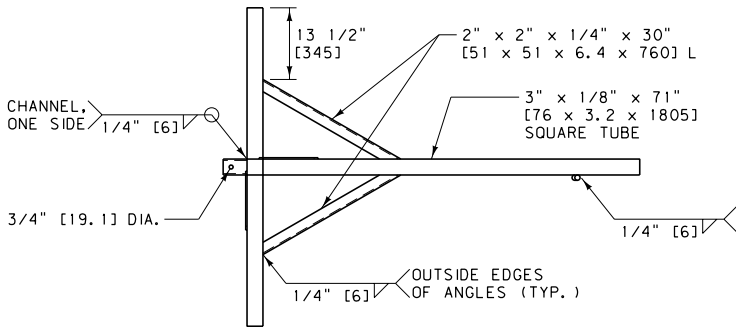
SIGN SUPPORT



FRONT



RIGHT



TOP

TRAILER

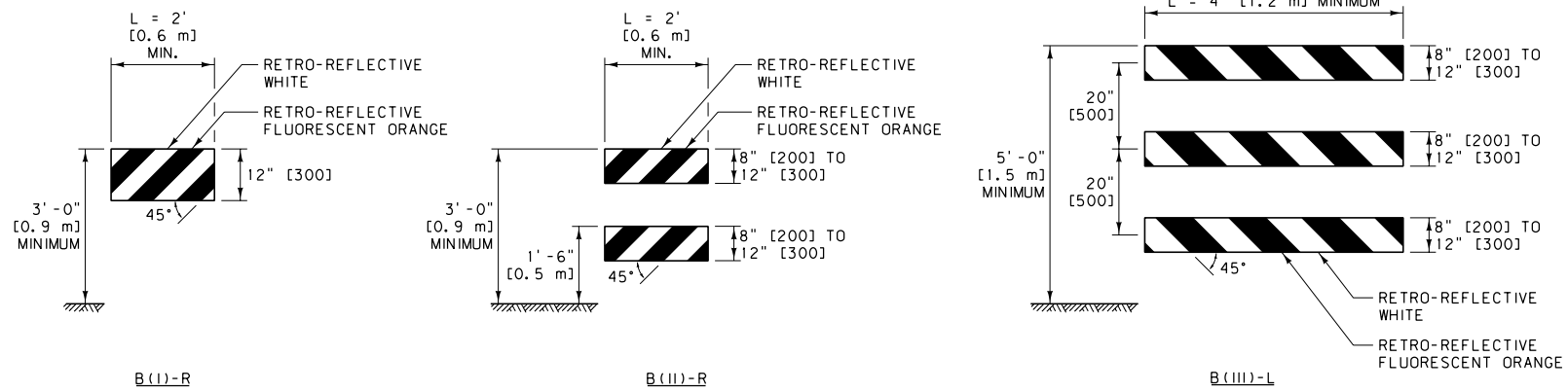
UNITS SHOWN IN BRACKETS [] ARE METRIC AND ARE IN MILLIMETERS (mm) UNLESS OTHER UNITS ARE SHOWN.

DETAILED DRAWING	
REFERENCE STANDARD SPEC. SECTION 618, 715	DWG. NO. 618-02

PORTABLE SIGN SUPPORT ASSEMBLY

EFFECTIVE: SEPTEMBER 2014

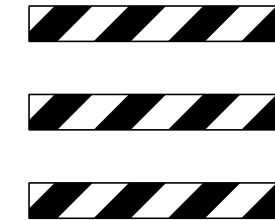
PORTABLE BARRICADES



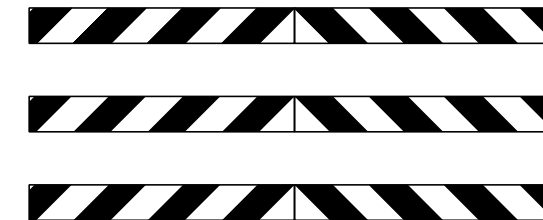
PORTABLE BARRICADE NOTES:

- ① RAIL STRIPES ARE 6" [150] IN WIDTH FOR BARRICADES 3' [0.9 m] OR GREATER IN LENGTH. FOR BARRICADES LESS THAN 3' [0.9 m] IN LENGTH, 4" [100] STRIPES MAY BE USED.
- ② THE PREDOMINANT COLOR FOR OTHER BARRICADE COMPONENTS IS WHITE, BUT UNPAINTED GALVANIZED METAL OR ALUMINUM COMPONENTS MAY BE USED.
- ③ WHERE B(III) BARRICADES ARE TO FACE TRAFFIC FROM TWO DIRECTIONS, STRIPING ON BOTH THE FRONT AND REAR SIDES IS REQUIRED.
- ④ USE MATERIALS FOR BARRICADE FRAMEWORK, ASSEMBLY, ATTACHED SIGNS, AND MEANS OF SIGN ATTACHMENT THAT MEET NCHRP 350 AND/OR MASH REQUIREMENTS FOR WORK ZONE DEVICES. OPTIONS FOR SIGN ATTACHMENT ARE:
 - SIGNS UP TO 10 SO FT [3.0 SO m] MUST BE BOLTED TO THE TOP RAIL.
 - SIGNS OVER 16 SO FT [4.9 SO m] MUST BE BOLTED TO THE RAILS AND BOTH UPRIGHT SUPPORTS.
 - SIGNS MAY BE MOUNTED BEHIND THE BARRICADE ON A SEPERATE NCHRP 350 AND/OR MASH APPROVED SIGN SUPPORT.
- ⑤ USE SANDBAGS OF SUFFICIENT WEIGHT TO HOLD THE BARRICADES IN PLACE. WATERPROOF SANDBAGS DURING PERIODS OF FREEZING WEATHER.
- ⑥ USE RETRO-REFLECTIVE SHEETING AS PER THE CONTRACT.

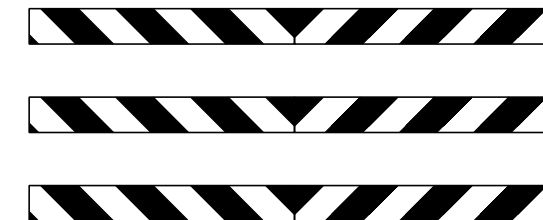
RAIL STRIPES



WHERE BARRICADES EXTEND ENTIRELY ACROSS THE ROADWAY, POSITION BARRICADES SO THE STRIPES SLOPE DOWNWARD IN THE DIRECTION TOWARD WHICH THE ROAD USERS MUST TURN.



WHERE BOTH LEFT AND RIGHT TURNS ARE PERMITTED, POSITION BARRICADES SO THE STRIPES SLOPE DOWNWARD IN BOTH DIRECTIONS AWAY FROM THE CENTER OF THE BARRICADE OR BARRICADES.



WHERE NO TURNS ARE PERMITTED, POSITION THE BARRICADES SO THE STRIPES SLOPE DOWNWARD IN BOTH DIRECTIONS TOWARDS THE CENTER OF THE BARRICADE OR BARRICADES.

GENERAL NOTES:

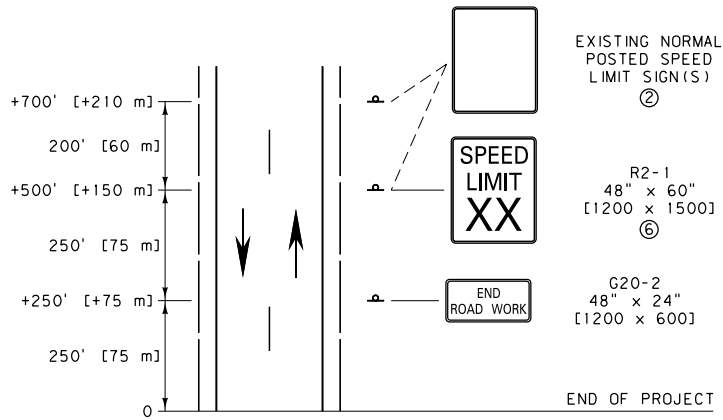
- ① SEE THE MANUAL ON UNIFORM TRAFFIC CONTROL DEVICES (MUTCD) PART 6 FOR ADDITIONAL INFORMATION.

UNITS SHOWN IN BRACKETS [] ARE METRIC AND ARE IN MILLIMETERS (mm) UNLESS OTHER UNITS ARE SHOWN.

DETAILED DRAWING	
REFERENCE STANDARD SPEC. SECTION 618	DWG. NO. 618-03

BARRICADES

EFFECTIVE: SEPTEMBER 2014



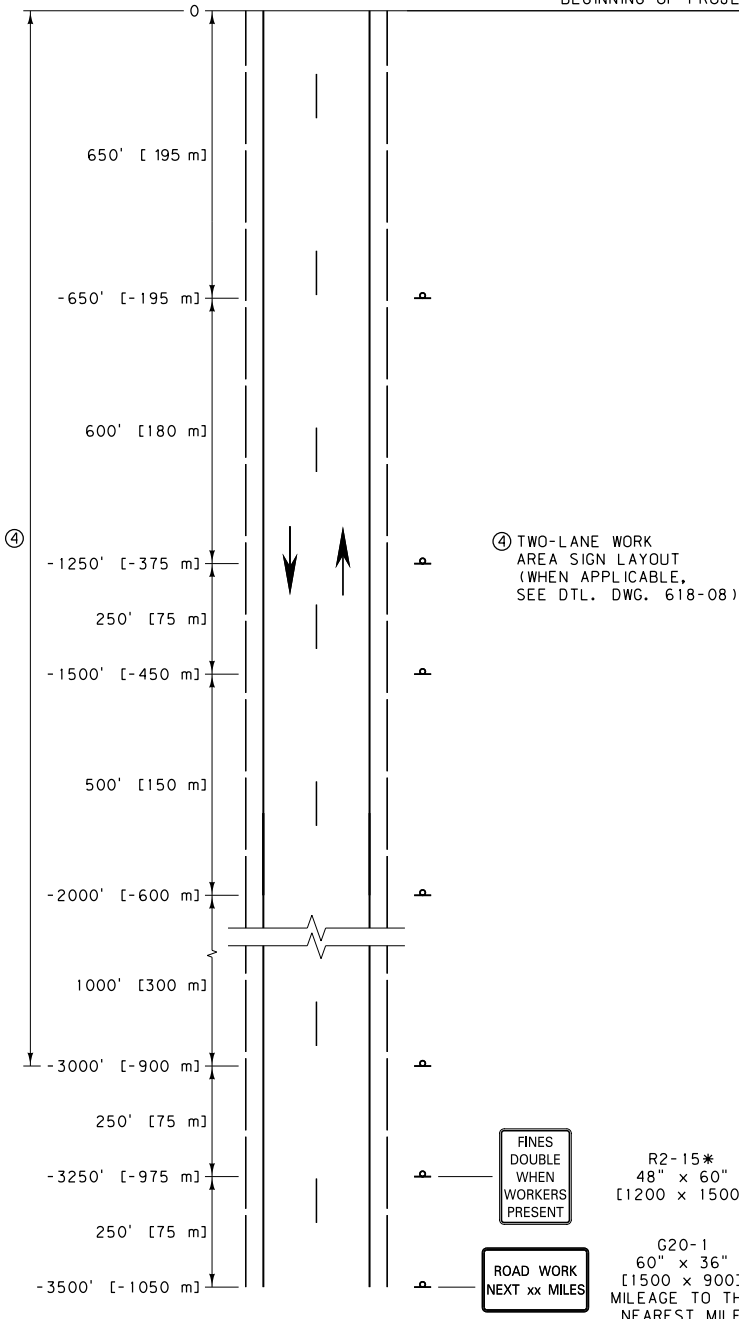
EXISTING NORMAL
POSTED SPEED
LIMIT SIGN(S)
②

R2-1
48" x 60"
[1200 x 1500]
⑥

G20-2
48" x 24"
[1200 x 600]

END OF PROJECT

BEGINNING OF PROJECT



④ TWO-LANE WORK
AREA SIGN LAYOUT
(WHEN APPLICABLE,
SEE DTL. DWG. 618-08)

R2-15*
48" x 60"
[1200 x 1500]

G20-1
60" x 36"
[1500 x 900]
MILEAGE TO THE
NEAREST MILE

W20-1
48" x 48"
[1200 x 1200]
(USE WHEN
LESS THAN
2 MILES)

NOTES:

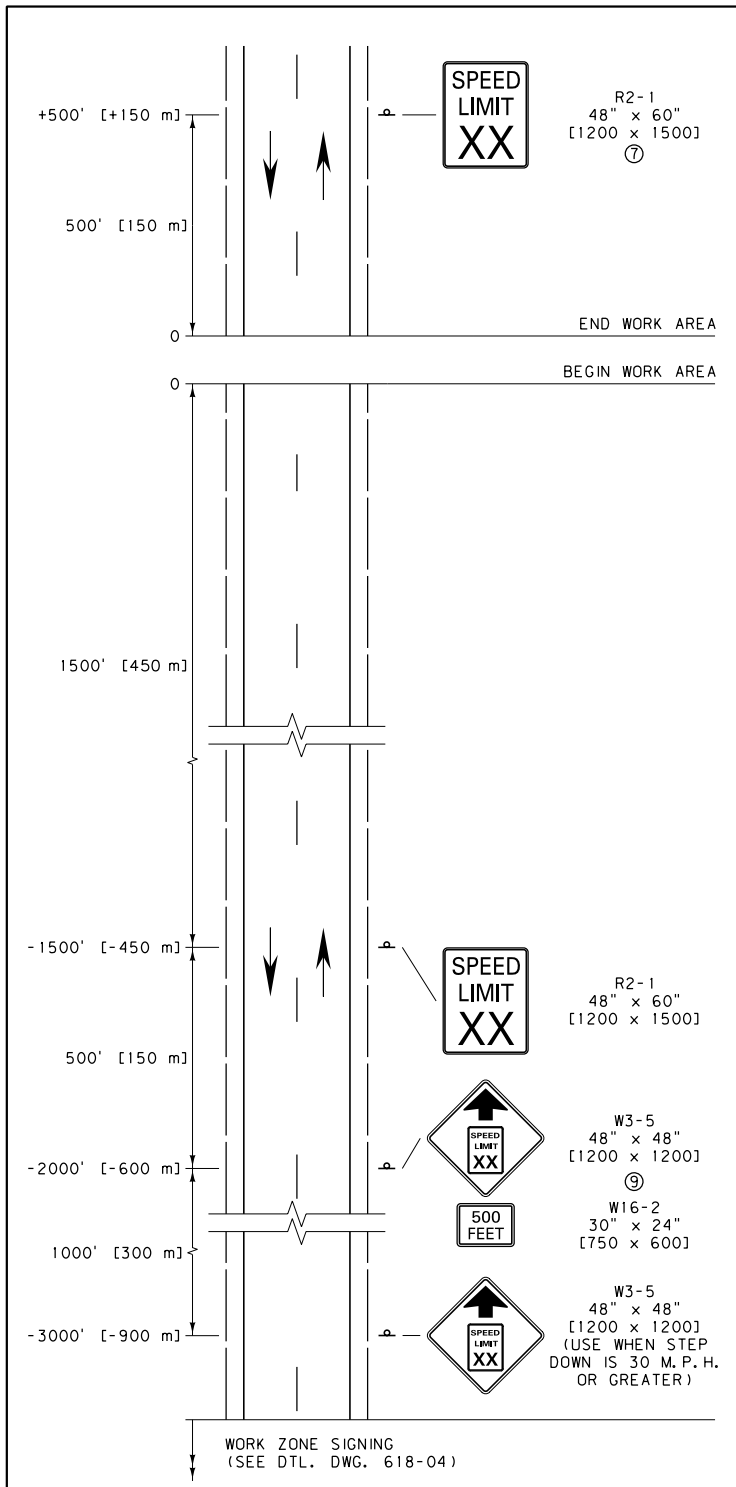
- ① THIS SIGN LAYOUT IS INTENDED TO BE A PERMANENT INSTALLATION FOR THE DURATION OF THE CONSTRUCTION PROJECT, AS APPROVED BY THE PROJECT MANAGER. COVER OR REMOVE ANY SIGNS WHEN NOT IN USE, INCLUDING SPEED LIMIT SIGNS NOT WARRANTED. REMOVE ANY SIGN SUPPORTS IF THEY WILL NOT BE NEEDED WITHIN 90 DAYS.
- ② POST THE END OF WORK ZONE SPEED LIMIT CONSISTING OF ONE SIGN WHEN THE NORMAL POSTED SPEED LIMIT FOR ALL VEHICLES IS THE SAME. USE TWO SIGNS WHEN CAR, TRUCK AND NIGHTTIME SPEED LIMITS ARE DIFFERENT.
- ③ INCLUDE REGULATORY SIGNING ONLY IF A WORK ZONE OR ROADWAY HAS CONDITIONS THAT WARRANT SPEED RESTRICTIONS. MODIFY REGULATORY SIGNS TO MATCH ADJACENT REGULATIONS.
- ④ IN ADDITION TO THE SIGNS SHOWN, INCLUDE THE APPROPRIATE TWO-LANE WORK AREA SIGNS (DTL. DWG. 618-08) WHEN A WORK AREA IS LOCATED AT THE BEGINNING OR END OF THE WORK ZONE.
- ⑤ SET UP THIS SIGN LAYOUT IN EACH TRAFFIC DIRECTION.
- ⑥ POST THE SPEED LIMIT APPROPRIATE FOR ALL VEHICLES FOR THE REMAINDER OF THE WORK ZONE BEFORE RESUMING TO NORMAL POSTED SPEED LIMITS AT THE END OF THE WORK ZONE.

* DENOTES SIGNS THAT ARE UNIQUE TO MONTANA.

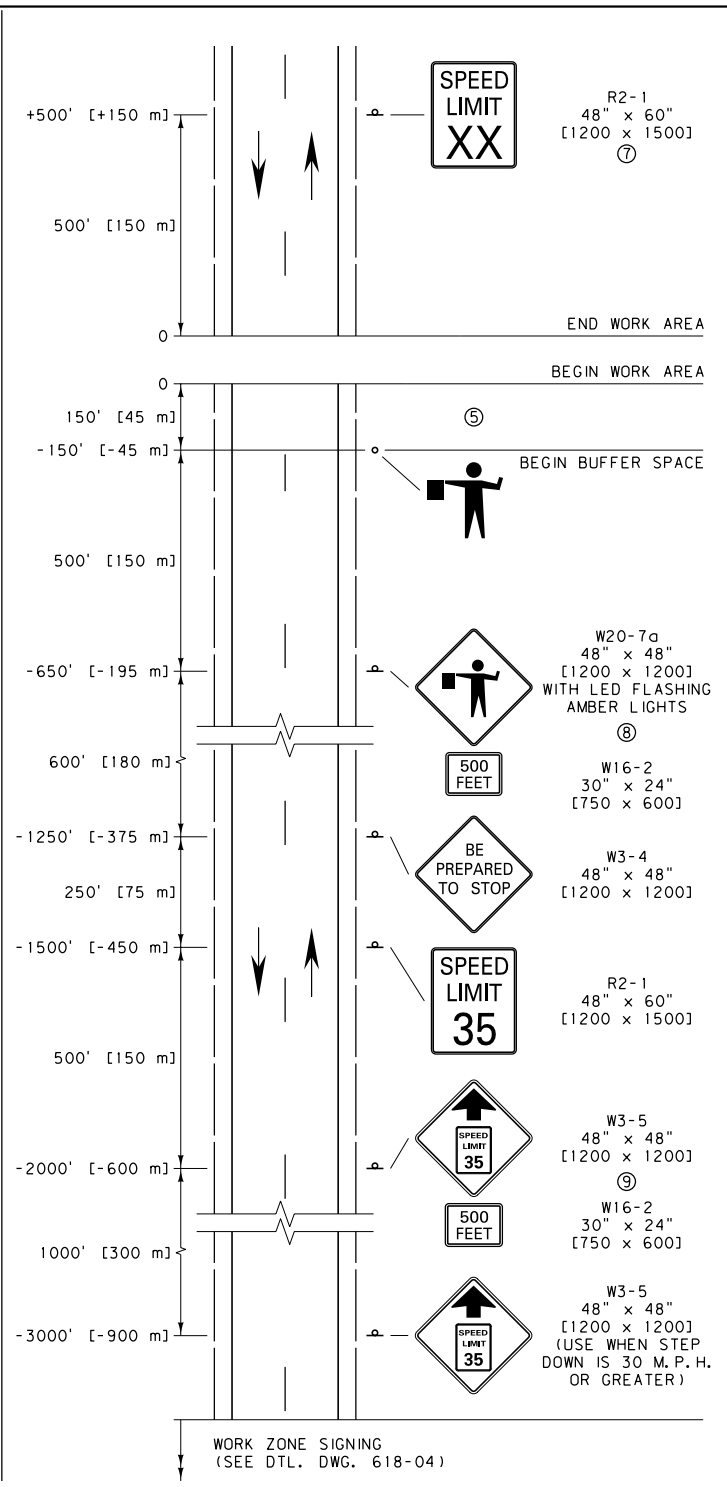
UNITS SHOWN IN BRACKETS [] ARE METRIC AND ARE IN MILLIMETERS (mm) UNLESS OTHER UNITS ARE SHOWN.

DETAILED DRAWING	
REFERENCE STANDARD SPEC. SECTION 618	DWG. NO. 618-04

TWO-LANE WORK ZONE	
--------------------	--



WORK AREA WITH NO FLAGGER



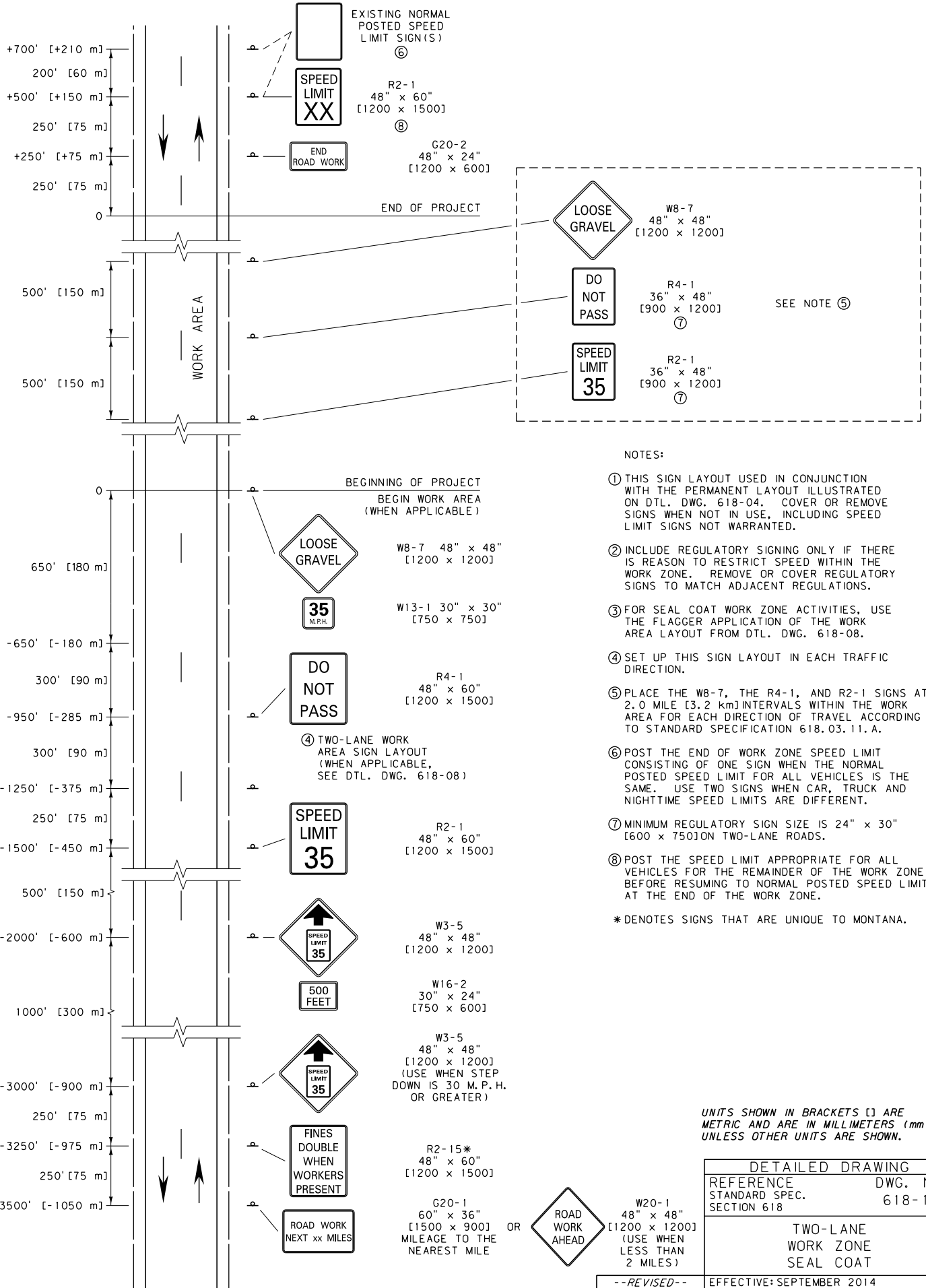
WORK AREA WITH FLAGGER

NOTES:

- ① THESE SIGN LAYOUTS ALSO USED IN CONJUNCTION WITH THE PERMANENT LAYOUT ILLUSTRATED ON DTL. DWG. 618-04 FOR WORK AREAS LOCATED AT THE BEGIN AND END OF THE WORK ZONES.
 - ② XX = SPEED DETERMINED BY THE PROJECT MANAGER.
 - ③ INCLUDE REGULATORY SIGNING ONLY IF THERE IS REASON TO RESTRICT SPEED WITHIN THE WORK ZONE. REMOVE OR COVER EXISTING REGULATORY SIGNS TO MATCH ADJACENT REGULATIONS.
 - ④ SET UP THIS SIGN LAYOUT IN EACH TRAFFIC DIRECTION. COMBINE SUCCESSIVE WORK AREAS WHEN LESS THAN 1.0 MILE [1.6 km] APART.
 - ⑤ THE BUFFER SPACE MAY BE INCREASED FOR DOWNGRADES AND OTHER CONDITIONS THAT AFFECT STOPPING DISTANCE.
 - ⑥ PROVIDE A SECOND FLAGGER WHEN REQUIRED PER SECTION 618.
 - ⑦ POST THE SPEED LIMIT APPROPRIATE FOR ALL VEHICLES FOR THE REMAINDER OF THE WORK ZONE BEFORE RESUMING TO NORMAL POSTED SPEED LIMITS AT THE END OF THE WORK ZONE.
 - ⑧ ENSURE THE AMBER LED FLASHERS MEET REQUIREMENTS OF STANDARD SPECIFICATION 715 AND DTL. DWG. 618-01.
 - ⑨ INCLUDE THESE SIGNS WITH ALL FLAGGERS. INCLUDE THESE SIGNS WITHIN WORK ZONES WHEN STEP DOWN IS 20 M.P.H. OR GREATER.
- * DENOTES SIGNS THAT ARE UNIQUE TO MONTANA.

UNITS SHOWN IN BRACKETS [] ARE METRIC AND ARE IN MILLIMETERS (mm) UNLESS OTHER UNITS ARE SHOWN.

DETAILED DRAWING	
REFERENCE STANDARD SPEC. SECTION 618, 715	DWG. NO. 618-08
TWO-LANE WORK AREAS	
EFFECTIVE: SEPTEMBER 2014	
--REVISED-- OCTOBER 2017	
MONTANA DEPARTMENT OF TRANSPORTATION	



EXISTING NORMAL
POSTED SPEED
LIMIT SIGN(S)
ⓐ

R2-1
48" x 60"
[1200 x 1500]
ⓑ

G20-2
48" x 24"
[1200 x 600]

W8-7
48" x 48"
[1200 x 1200]

R4-1
36" x 48"
[900 x 1200]
ⓑ

R2-1
36" x 48"
[900 x 1200]
ⓑ

SEE NOTE ⑤

NOTES:

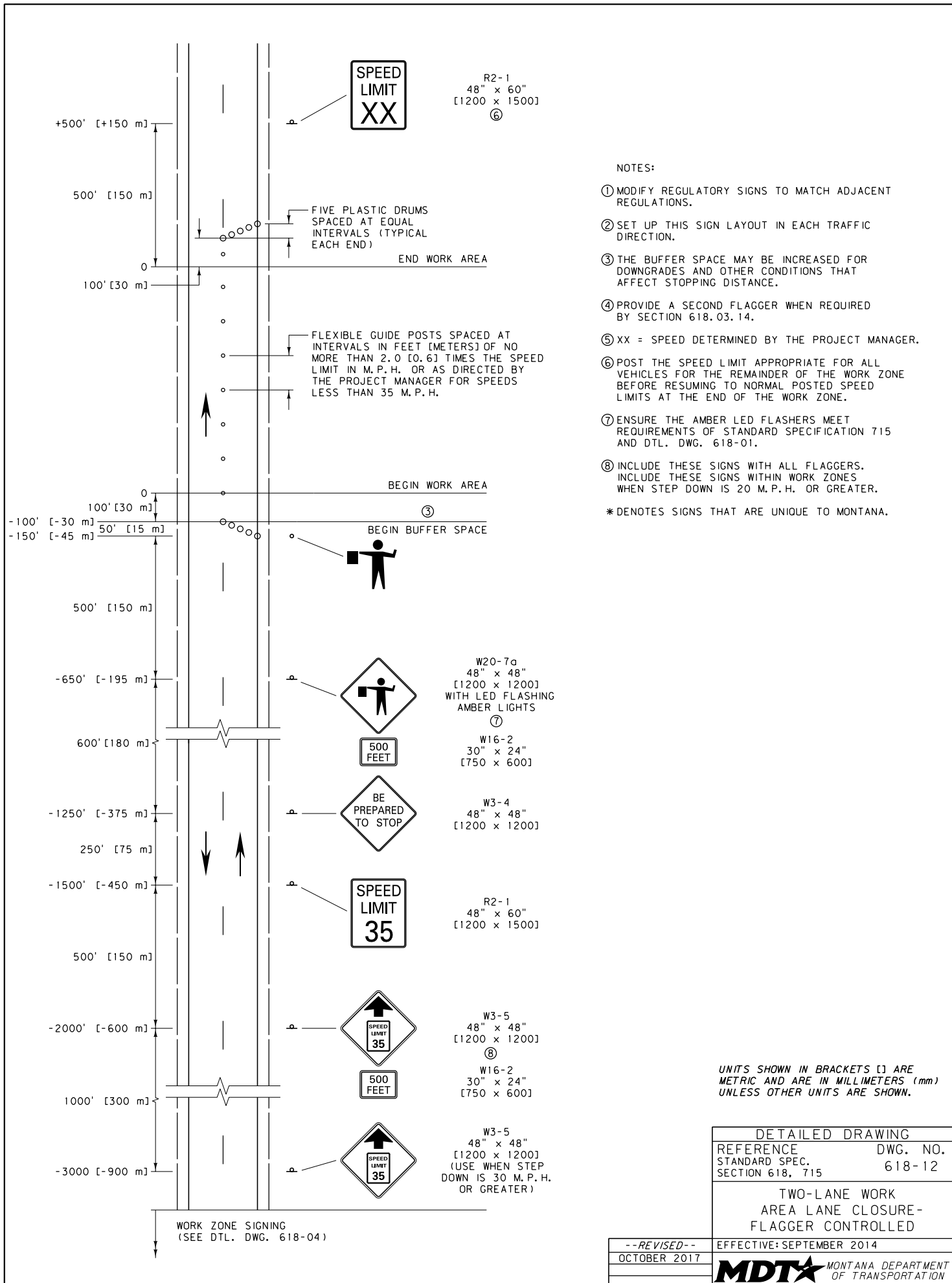
- ① THIS SIGN LAYOUT USED IN CONJUNCTION WITH THE PERMANENT LAYOUT ILLUSTRATED ON DTL. DWG. 618-04. COVER OR REMOVE SIGNS WHEN NOT IN USE, INCLUDING SPEED LIMIT SIGNS NOT WARRANTED.
- ② INCLUDE REGULATORY SIGNING ONLY IF THERE IS REASON TO RESTRICT SPEED WITHIN THE WORK ZONE. REMOVE OR COVER REGULATORY SIGNS TO MATCH ADJACENT REGULATIONS.
- ③ FOR SEAL COAT WORK ZONE ACTIVITIES, USE THE FLAGGER APPLICATION OF THE WORK AREA LAYOUT FROM DTL. DWG. 618-08.
- ④ SET UP THIS SIGN LAYOUT IN EACH TRAFFIC DIRECTION.
- ⑤ PLACE THE W8-7, THE R4-1, AND R2-1 SIGNS AT 2.0 MILE [3.2 km] INTERVALS WITHIN THE WORK AREA FOR EACH DIRECTION OF TRAVEL ACCORDING TO STANDARD SPECIFICATION 618.03.11.A.
- ⑥ POST THE END OF WORK ZONE SPEED LIMIT CONSISTING OF ONE SIGN WHEN THE NORMAL POSTED SPEED LIMIT FOR ALL VEHICLES IS THE SAME. USE TWO SIGNS WHEN CAR, TRUCK AND NIGHTTIME SPEED LIMITS ARE DIFFERENT.
- ⑦ MINIMUM REGULATORY SIGN SIZE IS 24" x 30" [600 x 750] ON TWO-LANE ROADS.
- ⑧ POST THE SPEED LIMIT APPROPRIATE FOR ALL VEHICLES FOR THE REMAINDER OF THE WORK ZONE BEFORE RESUMING TO NORMAL POSTED SPEED LIMITS AT THE END OF THE WORK ZONE.

* DENOTES SIGNS THAT ARE UNIQUE TO MONTANA.

④ TWO-LANE WORK
AREA SIGN LAYOUT
(WHEN APPLICABLE,
SEE DTL. DWG. 618-08)

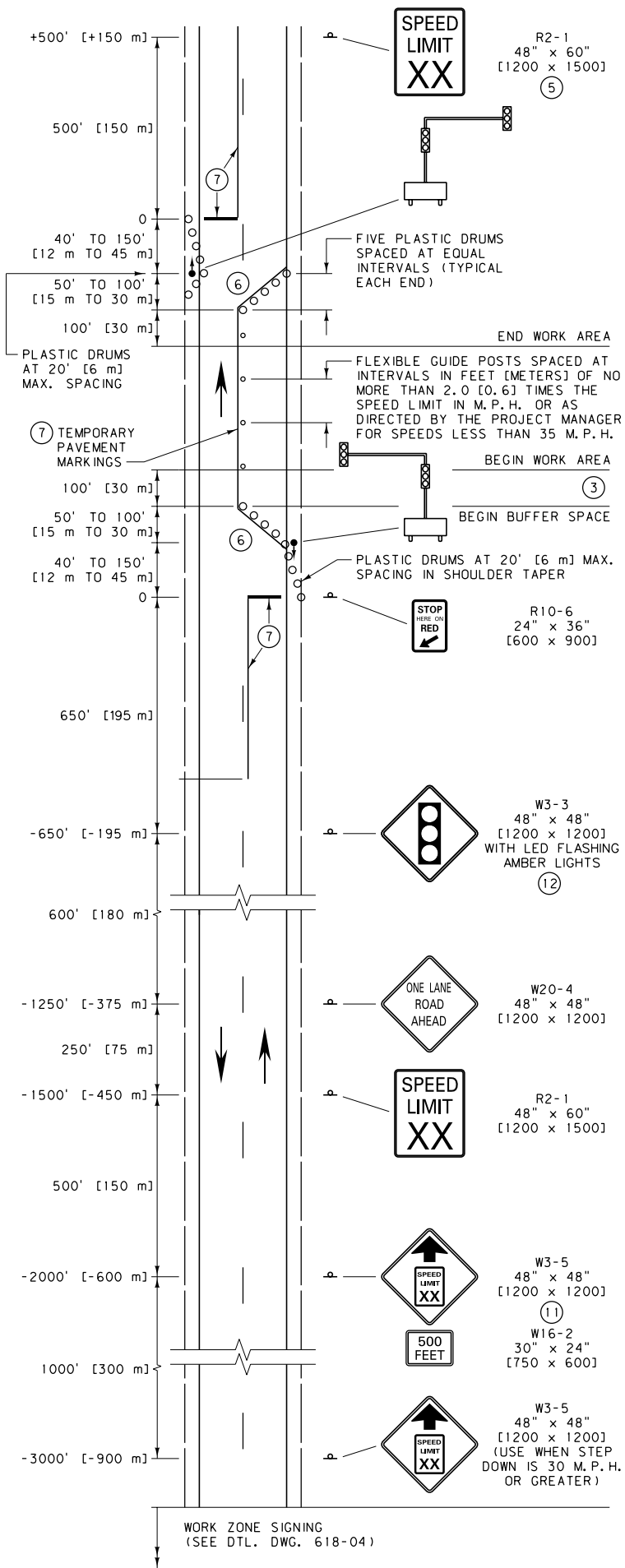
UNITS SHOWN IN BRACKETS [] ARE
METRIC AND ARE IN MILLIMETERS (mm)
UNLESS OTHER UNITS ARE SHOWN.

DETAILED DRAWING	
REFERENCE STANDARD SPEC. SECTION 618	DWG. NO. 618-10
TWO-LANE WORK ZONE SEAL COAT	

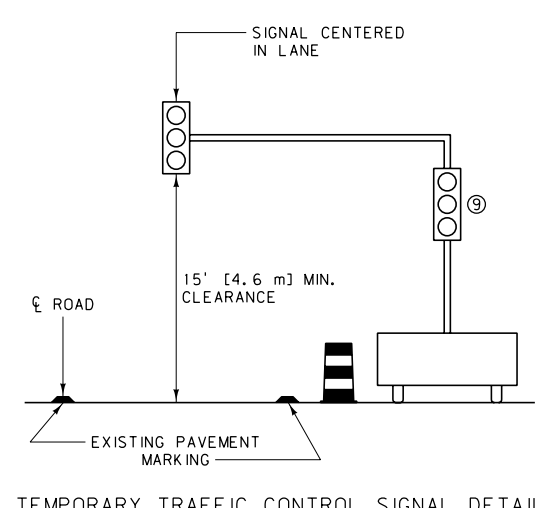


UNITS SHOWN IN BRACKETS [] ARE METRIC AND ARE IN MILLIMETERS (mm) UNLESS OTHER UNITS ARE SHOWN.

DETAILED DRAWING	
REFERENCE STANDARD SPEC.	DWG. NO. 618-12
TWO-LANE WORK AREA LANE CLOSURE - FLAGGER CONTROLLED	

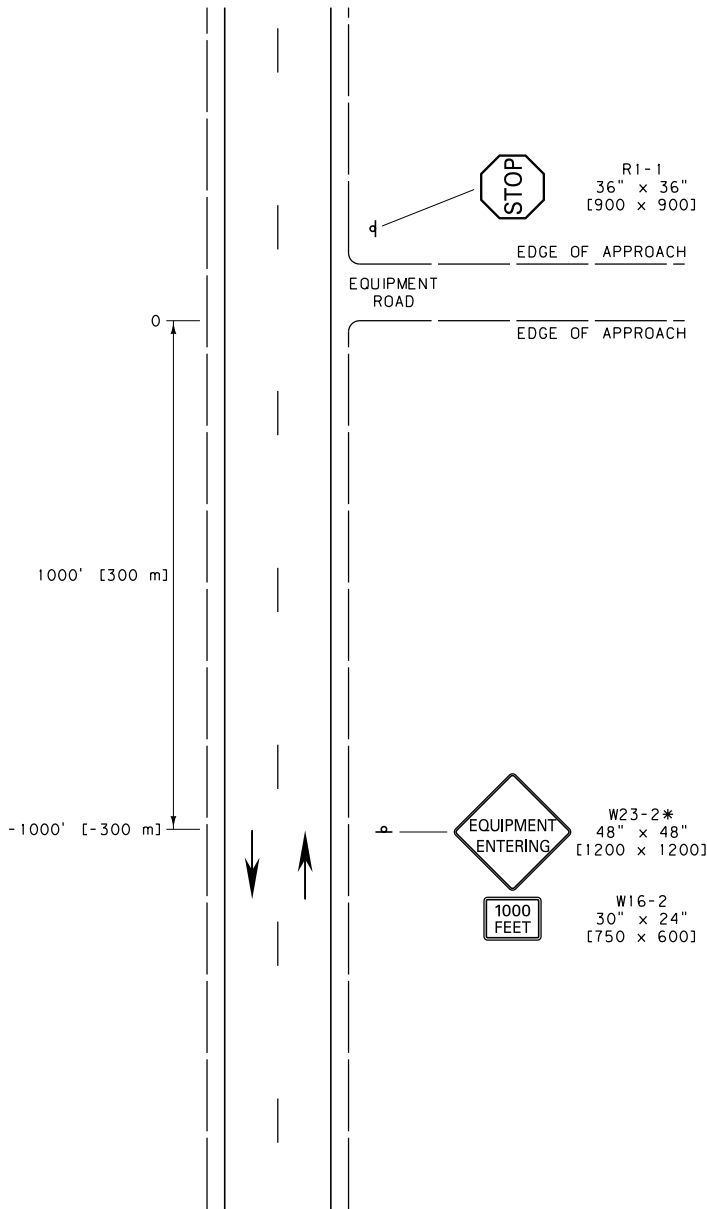


- NOTES:
- ① MODIFY REGULATORY SIGNS TO MATCH ADJACENT REGULATIONS.
 - ② SET UP THIS SIGN LAYOUT IN EACH TRAFFIC DIRECTION.
 - ③ THE BUFFER SPACE MAY BE INCREASED FOR DOWNGRADES AND OTHER CONDITIONS THAT AFFECT STOPPING DISTANCE.
 - ④ XX = SPEED DETERMINED BY THE PROJECT MANAGER.
 - ⑤ POST THE SPEED LIMIT APPROPRIATE FOR ALL VEHICLES FOR THE REMAINDER OF THE WORK ZONE BEFORE RESUMING TO NORMAL POSTED SPEED LIMITS AT THE END OF THE WORK ZONE.
 - ⑥ REMOVE ANY CONFLICTING PAVEMENT MARKINGS BETWEEN THE STOP LINE AND WORK ZONE BOUNDARY.
 - ⑦ PLACE TEMPORARY PAVEMENT MARKINGS AS SHOWN WHEN ROADWAY SURFACE IS PAVED. (REMOVABLE PAVEMENT MARKINGS MAY BE USED.) UPON REMOVAL OF THE TEMPORARY TRAFFIC CONTROL SIGNALS, REMOVE ALL TEMPORARY PAVEMENT MARKINGS AND RESTORE PERMANENT OR INTERIM PAVEMENT MARKINGS.
 - ⑧ TEMPORARY TRAFFIC CONTROL SIGNALS ARE TO MEET THE PHYSICAL DISPLAY AND OPERATIONAL REQUIREMENTS OF PERMANENT TRAFFIC CONTROL SIGNALS.
 - ⑨ ESTABLISH TEMPORARY TRAFFIC CONTROL SIGNAL TIMING BY CONSULTING WITH AN AUTHORIZED TRAFFIC ENGINEER. ENSURE THAT THE DURATIONS OF RED CLEARANCE INTERVALS ARE ADEQUATE TO CLEAR THE ONE-LANE SECTION OF CONFLICTING VEHICLES. INCORPORATE SAFEGUARDS TO AVOID THE POSSIBILITY OF CONFLICTING SIGNAL INDICATIONS AT EACH END OF THE WORK ZONE.
 - ⑩ INCORPORATE ANY SIDE APPROACH TRAFFIC THAT OCCURS WITHIN THE WORK AREA BOUNDARIES INTO THE MAINLINE SIGNAL CONTROLLED OPERATION VIA THE USE OF TEMPORARY TRAFFIC CONTROL SIGNS, DEVICES, ETC.
 - ⑪ INCLUDE THESE SIGNS WITH ALL FLAGGERS. INCLUDE THESE SIGNS WITHIN WORK ZONES WHEN STEP DOWN IS 20 M.P.H. OR GREATER.
 - ⑫ INSURE THE AMBER LED FLASHERS MEET REQUIREMENTS OF STANDARD SPECIFICATION 715 AND DTL. DWG. 618-01.
- * DENOTES SIGNS THAT ARE UNIQUE TO MONTANA.



UNITS SHOWN IN BRACKETS [] ARE METRIC AND ARE IN MILLIMETERS (mm) UNLESS OTHER UNITS ARE SHOWN.

DETAILED DRAWING	
REFERENCE STANDARD SPEC. SECTION 618	DWG. NO. 618-13
TWO-LANE WORK ZONE LANE CLOSURE - SIGNAL CONTROLLED	



NOTES:

- ① USE THIS SIGN LAYOUT WHEN APPROPRIATE. OTHERWISE REFER TO DTL. DWG. 618-16 WHEN A FLAGGER IS NEEDED.
 - ② SET UP THIS SIGN LAYOUT IN EACH TRAFFIC DIRECTION, AS NEEDED.
- * DENOTES SIGNS THAT ARE UNIQUE TO MONTANA.

UNITS SHOWN IN BRACKETS [] ARE METRIC AND ARE IN MILLIMETERS (mm) UNLESS OTHER UNITS ARE SHOWN.

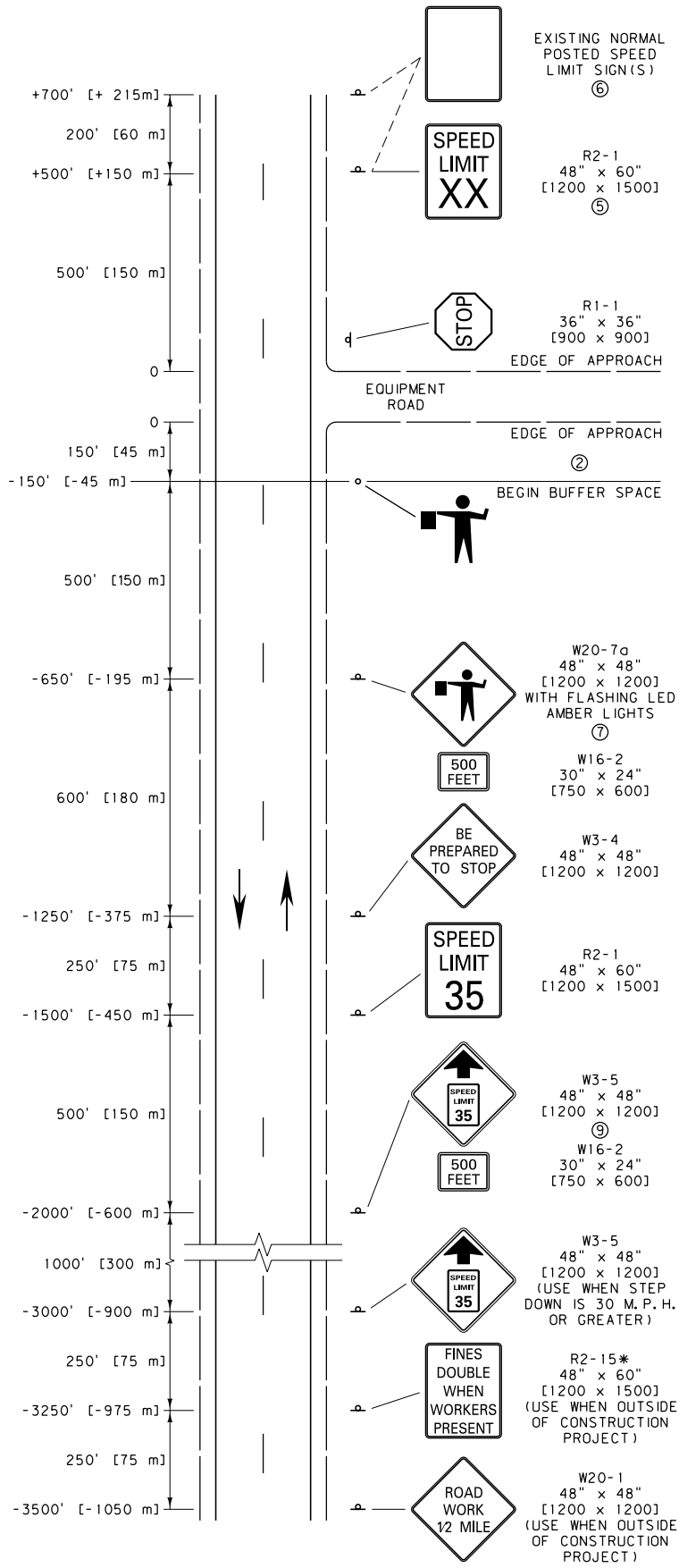
DETAILED DRAWING	
REFERENCE STANDARD SPEC. SECTION 618	DWG. NO. 618-14

TWO-LANE EQUIPMENT ENTRANCES

--REVISED--
OCTOBER 2017

EFFECTIVE: SEPTEMBER 2014





NOTES:

- ① SET UP THIS SIGN LAYOUT IN EACH TRAFFIC DIRECTION, AS NEEDED.
- ② THE BUFFER SPACE MAY BE INCREASED FOR DOWNGRADES AND OTHER CONDITIONS THAT AFFECT STOPPING DISTANCE.
- ③ XX = SPEED DETERMINED BY THE PROJECT MANAGER.
- ④ WHEN THIS OCCURS OUTSIDE OF A CONSTRUCTION PROJECT INCLUDE THE W20-1 AND R2-15* SIGNS.
- ⑤ POST THE SPEED LIMIT APPROPRIATE FOR ALL VEHICLES FOR THE REMAINDER OF THE WORK ZONE BEFORE RESUMING TO NORMAL POSTED SPEED LIMITS AT THE END OF THE WORK ZONE.
- ⑥ WHEN OUTSIDE OF A CONSTRUCTION PROJECT, POST THE SPEED LIMIT CONSISTING OF ONE SIGN WHEN THE NORMAL POSTED SPEED LIMIT FOR ALL VEHICLES IS THE SAME. USE TWO SIGNS WHEN CAR, TRUCK AND NIGHTTIME SPEED LIMITS ARE DIFFERENT.
- ⑦ ENSURE THE AMBER LED FLASHERS MEET REQUIREMENTS OF SECTION 715 AND DTL. DWG. 618-01.
- ⑧ INCLUDE THESE SIGNS WITH ALL FLAGGERS. INCLUDE THESE SIGNS WITHIN WORK ZONES WHEN STEP DOWN IS 20 M.P.H. OR GREATER.

* DENOTES SIGNS THAT ARE UNIQUE TO MONTANA.

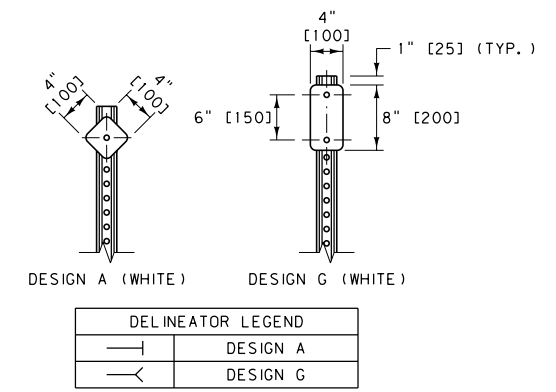
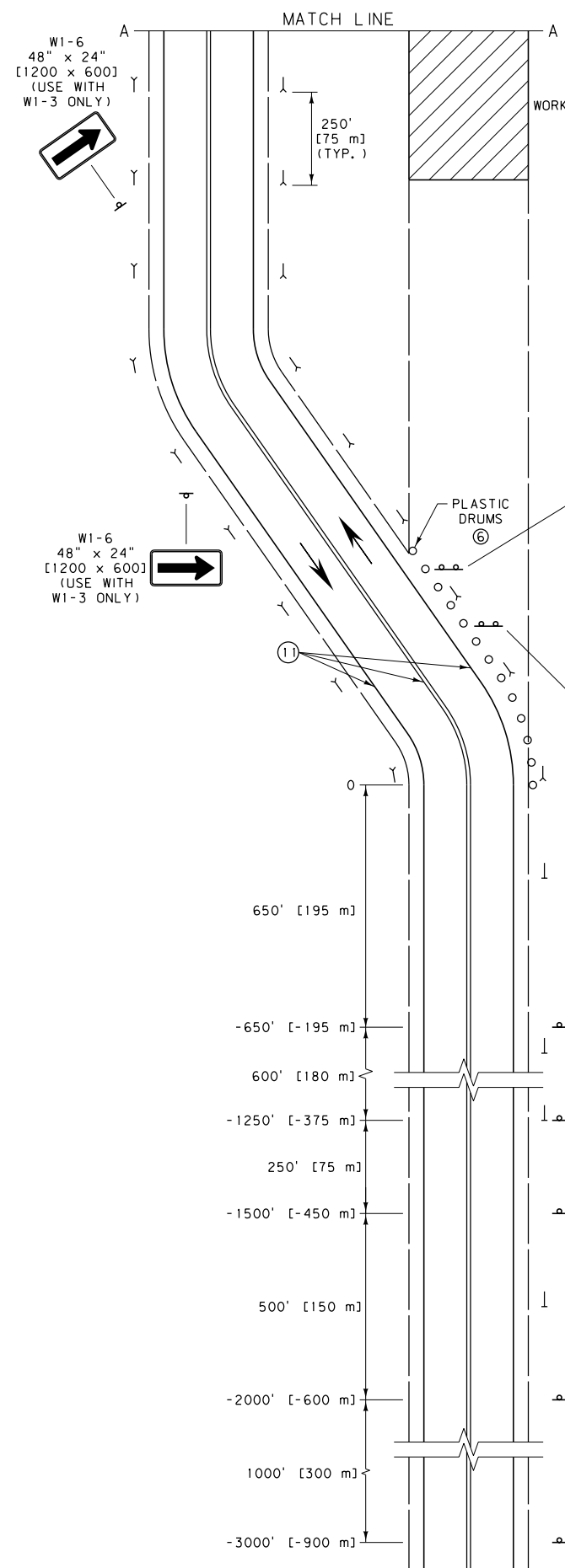
EQUIPMENT ENTRANCE WITH FLAGGER

UNITS SHOWN IN BRACKETS [] ARE METRIC AND ARE IN MILLIMETERS (mm) UNLESS OTHER UNITS ARE SHOWN.

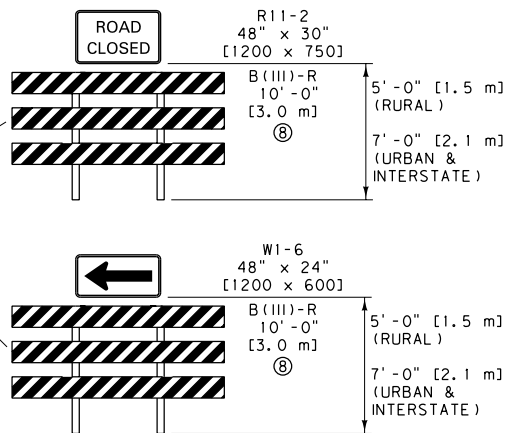
DETAILED DRAWING	
REFERENCE STANDARD SPEC. SECTION 618, 715	DWG. NO. 618-16

TWO-LANE EQUIPMENT ENTRANCES

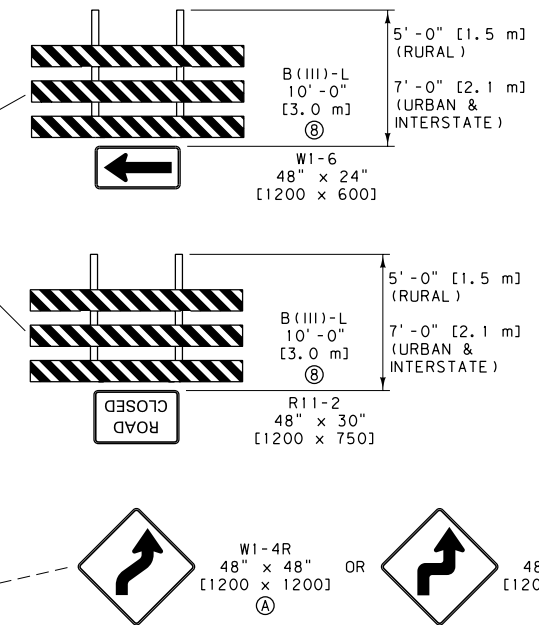
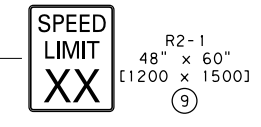
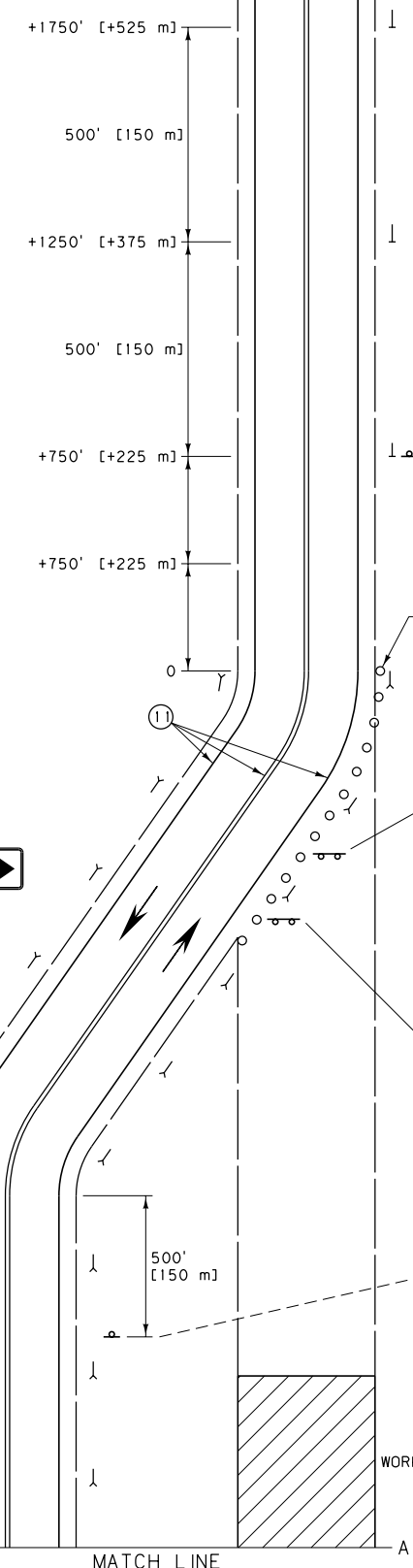
--REVISED--	EFFECTIVE: SEPTEMBER 2014
OCTOBER 2017	
MDT MONTANA DEPARTMENT OF TRANSPORTATION	



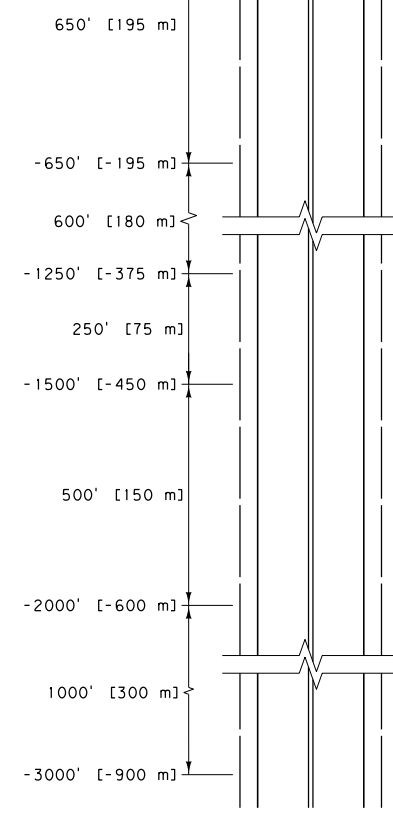
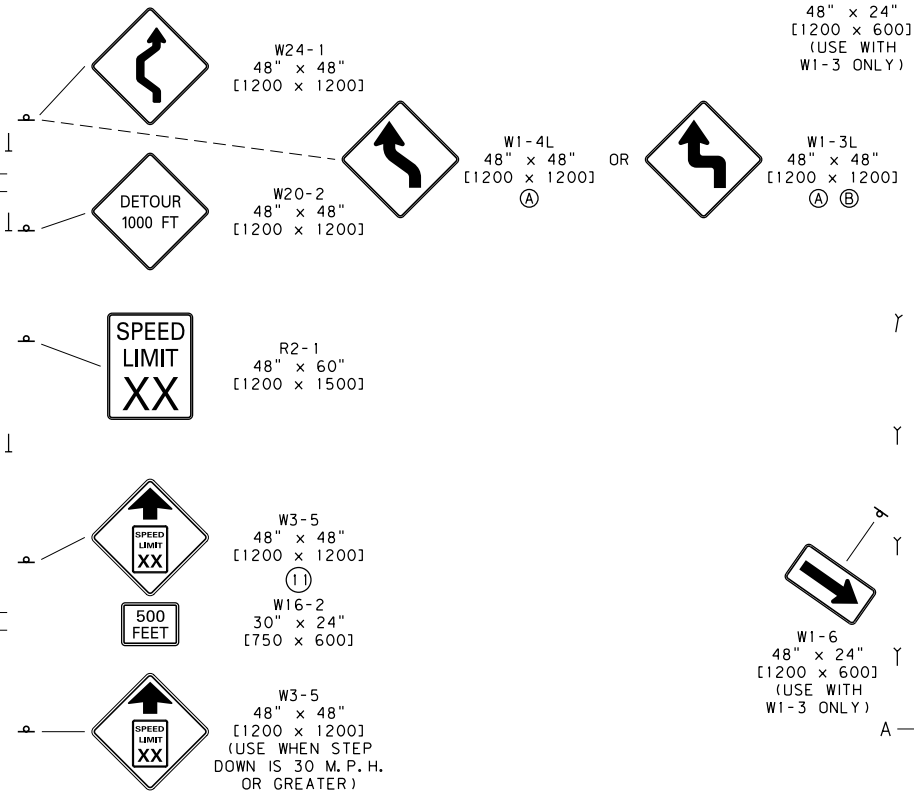
DELINEATOR LEGEND	
	DESIGN A
	DESIGN G



- Ⓐ USE THE W1-4 OR W1-3 SIGNS WHEN THE TANGENT DISTANCE ALONG THE DIVERSION IS MORE THAN 600' [180 m].
- Ⓑ USE W1-3 SIGNS ONLY WHEN THE DESIGN SPEED OF THE CURVES IS 30 M.P.H. [50 km/hr] OR LESS.



- NOTES:
- ① INCLUDE SPEED LIMIT SIGNING ONLY IF THERE IS REASON TO RESTRICT SPEED. MODIFY REGULATORY SIGNS TO MATCH ADJACENT REGULATIONS.
 - ② SET UP THIS SIGN LAYOUT IN EACH TRAFFIC DIRECTION.
 - ③ PAVED DETOURS 24 FEET [7.2 m] WIDE OR GREATER HAVE 4 INCH [100] WHITE SHOULDER STRIPES AND APPROPRIATE CENTERLINE STRIPES.
 - ④ UNPAVED DETOURS MAY REQUIRE ADDITIONAL DELINEATION.
 - ⑤ USE ONLY POST MOUNTED SIGNS. DO NOT USE PORTABLE SIGN MOUNTS.
 - ⑥ PLACE PLASTIC DRUMS AT INTERVALS IN FEET [METERS] OF NO MORE THAN ONE [0.3] TIMES THE SPEED LIMIT IN M.P.H. OR AS DIRECTED BY THE PROJECT MANAGER FOR SPEEDS LESS THAN 35 M.P.H.
 - ⑦ XX = SPEED DETERMINED BY THE DETOUR DESIGN SPEED OR THE PROJECT MANAGER.
 - ⑧ SEE DTL. DWG. 618-03.
 - ⑨ POST THE SPEED LIMIT APPROPRIATE FOR ALL VEHICLES FOR THE REMAINDER OF THE WORK ZONE BEFORE RESUMING TO NORMAL POSTED SPEED LIMITS AT THE END OF THE WORK ZONE.
 - ⑩ INCLUDE THESE SIGNS WITH ALL FLAGGERS. INCLUDE THESE SIGNS WITHIN WORK ZONES WHEN STEP DOWN IS 20 M.P.H. OR GREATER.
 - ⑪ PROVIDE PAVEMENT MARKINGS TO DELINEATE CENTERLINE AND SHOULDERS THROUGH TRANSITION FROM PAVED TO GRAVELED SURFACE. REMOVE PERMANENT PAVEMENT MARKINGS IN THE TRAVELED WAY THAT ARE NO LONGER APPLICABLE ACCORDING TO STANDARD SPECIFICATION 618.03.5.
- * DENOTES SIGNS THAT ARE UNIQUE TO MONTANA.



UNITS SHOWN IN BRACKETS [] ARE METRIC AND ARE IN MILLIMETERS (mm) UNLESS OTHER UNITS ARE SHOWN.

DETAILED DRAWING	
REFERENCE STANDARD SPEC. SECTION 618	DWG. NO. 618-18
TWO-LANE WORK ZONE DIVERSION	
--REVISED-- OCTOBER 2017	EFFECTIVE: SEPTEMBER 2014
MONTANA DEPARTMENT OF TRANSPORTATION	

R2-1
48" x 60"
[1200 x 1500]
②

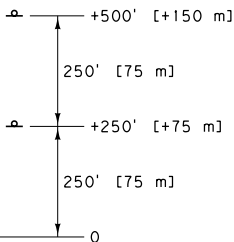


G20-2
48" x 24"
[1200 x 600]

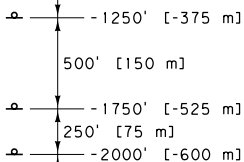


END OF PROJECT

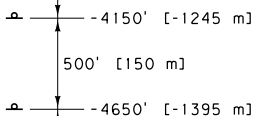
BEGINNING OF PROJECT



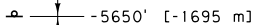
1250' [375 m]



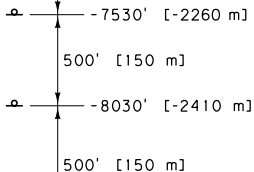
2150' [645 m]



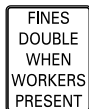
1000' [300 m]



1880' [565 m]



(2) R2-15*
48" x 60"
[1200 x 1500]



(2) G20-1
60" x 36"
[1500 x 900]



MILEAGE TO THE NEAREST MILE
OR

(2) W20-1
48" x 48"
[1200 x 1200]
(USE WHEN LESS THAN 2 MILES [3.2 km])



NOTES:

- ① THIS SIGN LAYOUT IS INTENDED TO BE A PERMANENT INSTALLATION FOR THE DURATION OF THE CONSTRUCTION PROJECT, AS APPROVED BY THE PROJECT MANAGER. COVER OR REMOVE SIGNS WHEN NOT IN USE, INCLUDING SPEED LIMIT SIGNS NOT WARRANTED. REMOVE ANY SIGN SUPPORTS IF THEY WILL NOT BE NEEDED WITHIN 90 DAYS.
- ② POST THE END OF WORK ZONE SPEED LIMIT CONSISTING OF ONE LIMIT WHEN THE NORMAL POSTED SPEED LIMIT FOR ALL VEHICLES IS THE SAME. WHEN CAR AND TRUCK SPEED LIMITS DIFFER, POST BOTH LIMITS ON A SINGLE SIGN.
- ③ INCLUDE REGULATORY SIGNING ONLY IF A WORK ZONE OR ROADWAY HAS CONDITIONS THAT WARRANT SPEED RESTRICTIONS. MODIFY REGULATORY SIGNS TO MATCH ADJACENT REGULATIONS.
- ④ SET UP THIS SIGN LAYOUT IN EACH TRAFFIC DIRECTION.
- ⑤ IN ADDITION TO THE SIGNS SHOWN, INCLUDE THE APPROPRIATE FOUR-LANE WORK ZONE SIGNS (DTL. DWG. 618-24) WHEN A WORK AREA FALLS AT THE BEGIN OR END OF THE WORK ZONE.
- ⑥ DIVIDED FOUR-LANE IS SHOWN. FOR UN-DIVIDED FOUR-LANE, PLACE SIGNS ON RIGHT SIDE ONLY.

* DENOTES SIGNS THAT ARE UNIQUE TO MONTANA.

FOUR-LANE WORK AREA SIGN LAYOUT (WHEN APPLICABLE, SEE DTL. DWG. 618-24) ⑥

UNITS SHOWN IN BRACKETS [] ARE METRIC AND ARE IN MILLIMETERS (mm) UNLESS OTHER UNITS ARE SHOWN.

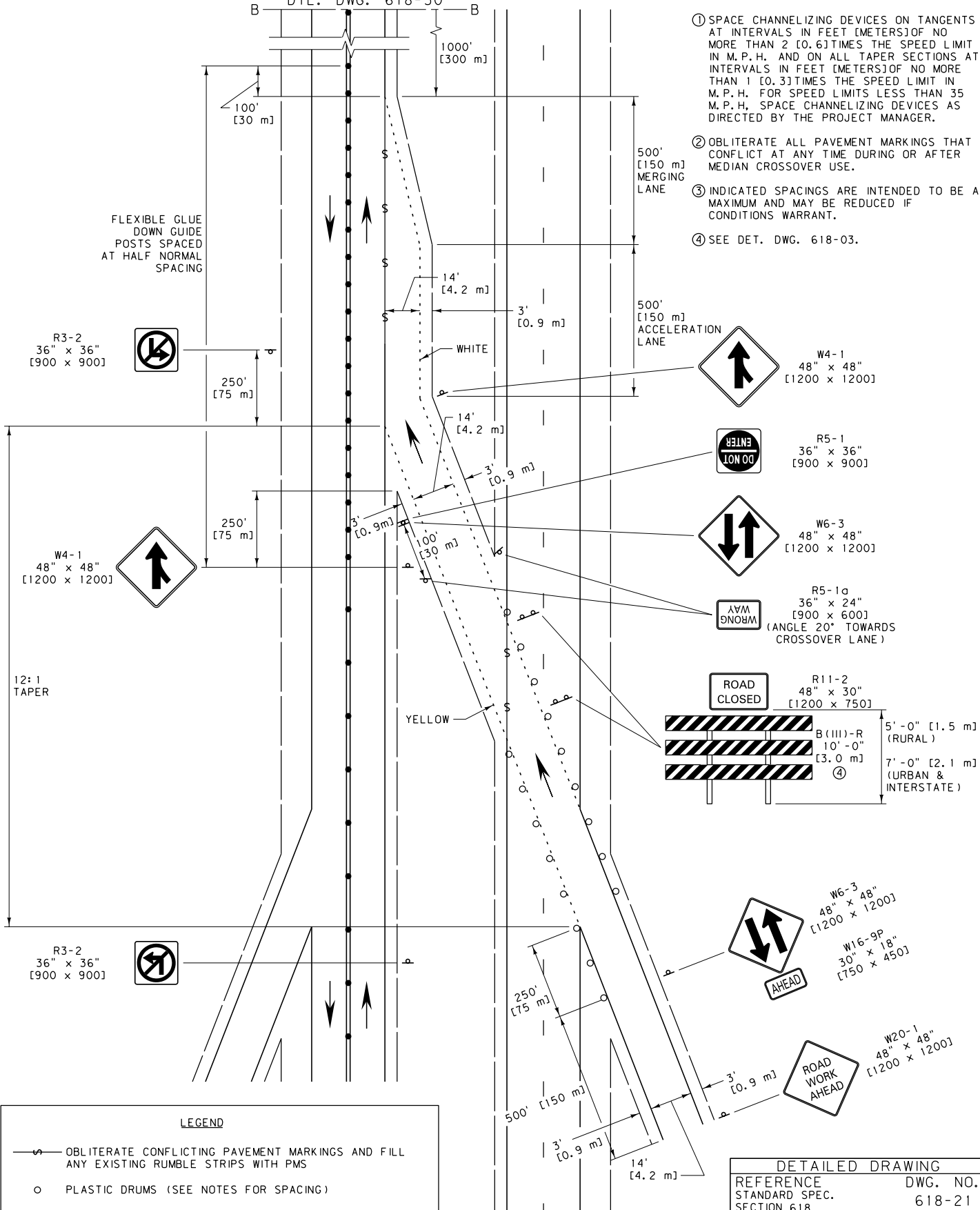
DETAILED DRAWING	
REFERENCE STANDARD SPEC. SECTION 618	DWG. NO. 618-20

DIVIDED FOUR-LANE WORK ZONE

MATCH LINE FROM
DTL. DWG. 618-30

NOTES:

- ① SPACE CHANNELIZING DEVICES ON TANGENTS AT INTERVALS IN FEET [METERS] OF NO MORE THAN 2 [0.6] TIMES THE SPEED LIMIT IN M.P.H. AND ON ALL TAPER SECTIONS AT INTERVALS IN FEET [METERS] OF NO MORE THAN 1 [0.3] TIMES THE SPEED LIMIT IN M.P.H. FOR SPEED LIMITS LESS THAN 35 M.P.H. SPACE CHANNELIZING DEVICES AS DIRECTED BY THE PROJECT MANAGER.
- ② OBLITERATE ALL PAVEMENT MARKINGS THAT CONFLICT AT ANY TIME DURING OR AFTER MERGING LANE.
- ③ INDICATED SPACINGS ARE INTENDED TO BE A MAXIMUM AND MAY BE REDUCED IF CONDITIONS WARRANT.
- ④ SEE DET. DWG. 618-03.



FLEXIBLE GLUE
DOWN GUIDE
POSTS SPACED
AT HALF NORMAL
SPACING

R3-2
36" x 36"
[900 x 900]



250'
[75 m]

W4-1
48" x 48"
[1200 x 1200]



250'
[75 m]

12:1
TAPER

R3-2
36" x 36"
[900 x 900]



LEGEND

- OBLITERATE CONFLICTING PAVEMENT MARKINGS AND FILL ANY EXISTING RUMBLE STRIPS WITH PMS
- PLASTIC DRUMS (SEE NOTES FOR SPACING)
- - - - - RAISED RIGID PAVEMENT MARKERS TYPE I (WHITE) OR TYPE II (YELLOW) AT 5' [1.5 m] SPACING
- ==== DOUBLE YELLOW PAINT OR DOUBLE PLASTIC PAVEMENT MARKING TABS AT 5' [1.5 m] SPACING
- FLEXIBLE GLUE-DOWN GUIDE POSTS ON TWO-LANE (SEE NOTES FOR SPACING EXCEPT AS SHOWN)

UNITS SHOWN IN BRACKETS [] ARE METRIC AND ARE IN MILLIMETERS (mm) UNLESS OTHER UNITS ARE SHOWN.

DETAILED DRAWING	
REFERENCE STANDARD SPEC. SECTION 618	DWG. NO. 618-21

TEMPORARY
ENTRANCE RAMP
MEDIAN CROSSOVER

LEGEND

- OBLITERATE CONFLICTING PAVEMENT MARKINGS AND FILL ANY EXISTING RUMBLE STRIPS WITH PMS
- PLASTIC DRUMS (SEE NOTES FOR SPACING)
- - - - - RAISED RIGID PAVEMENT MARKERS TYPE I (WHITE) OR TYPE II (YELLOW) AT 5' [1.5 m] SPACING
- ==== DOUBLE YELLOW PAINT OR DOUBLE PLASTIC PAVEMENT MARKING TABS AT 5' [1.5 m] SPACING
- FLEXIBLE GLUE-DOWN GUIDE POSTS ON TWO-LANE (SEE NOTES FOR SPACING EXCEPT AS SHOWN)

E5-1
60" x 48"
[1500 x 1200]



R3-2
36" x 36"
[900 x 900]

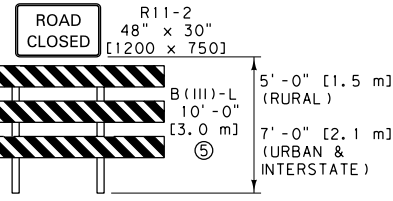
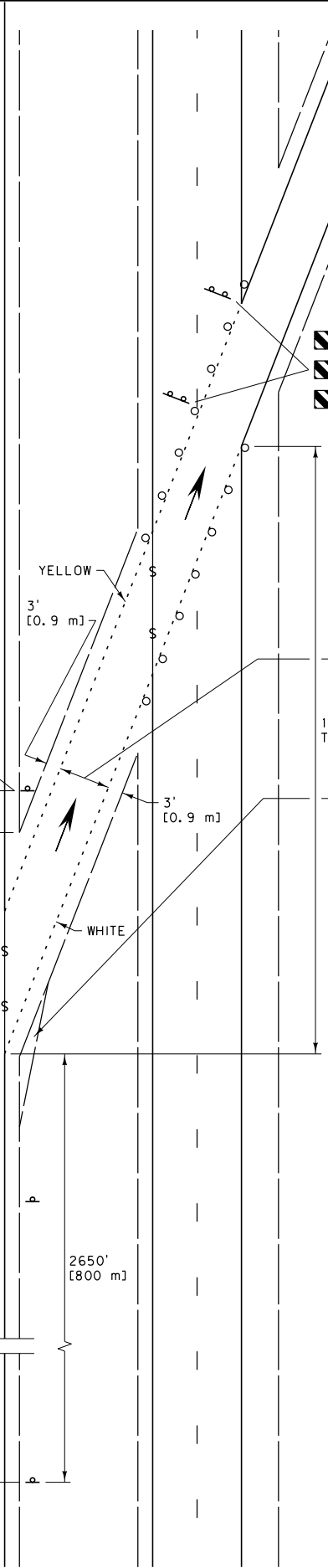


FLEXIBLE GLUE
DOWN GUIDE
POSTS SPACED
AT HALF NORMAL
SPACING

W6-3
48" x 48"
[1200 x 1200]



E7-1
72" x 36"
[1800 x 900]



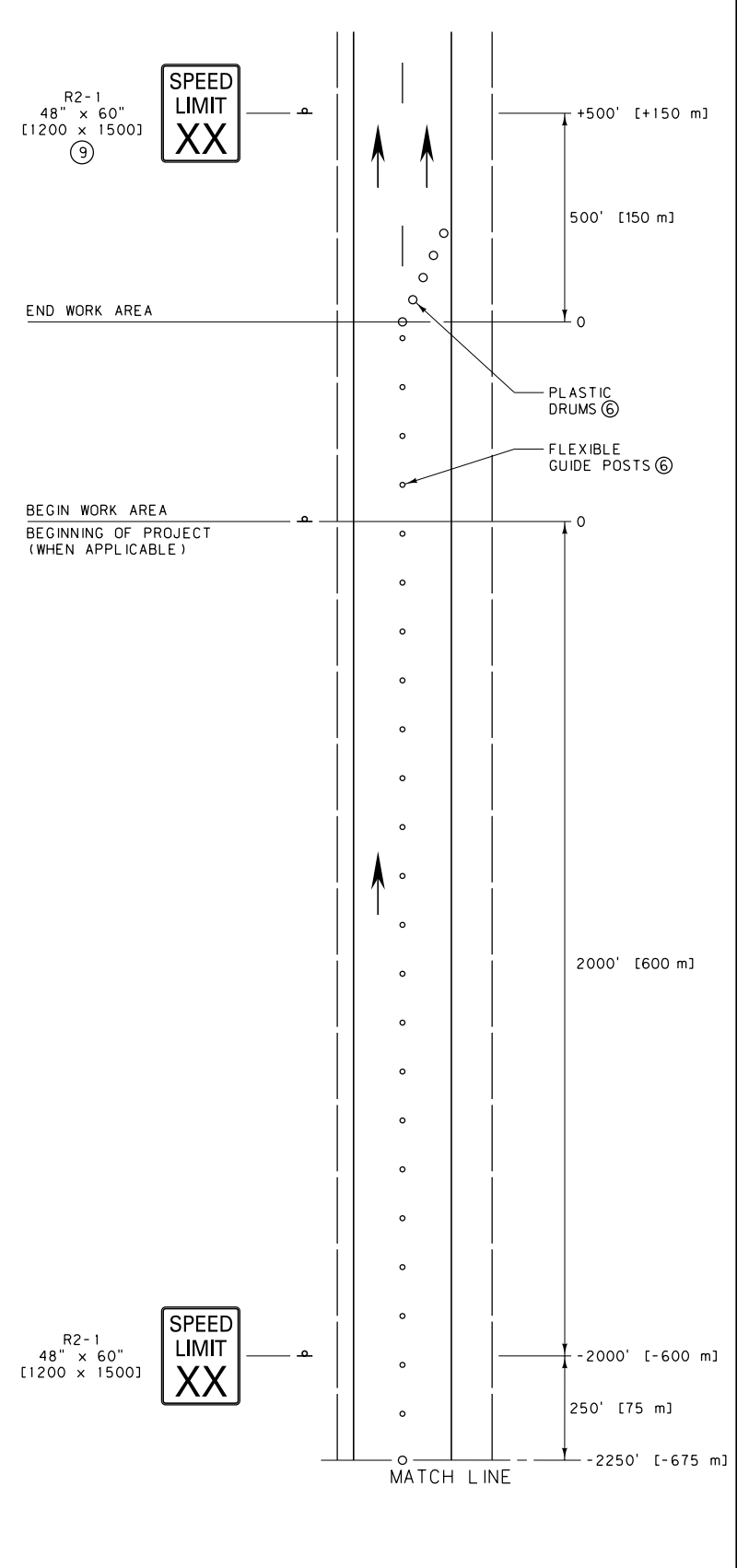
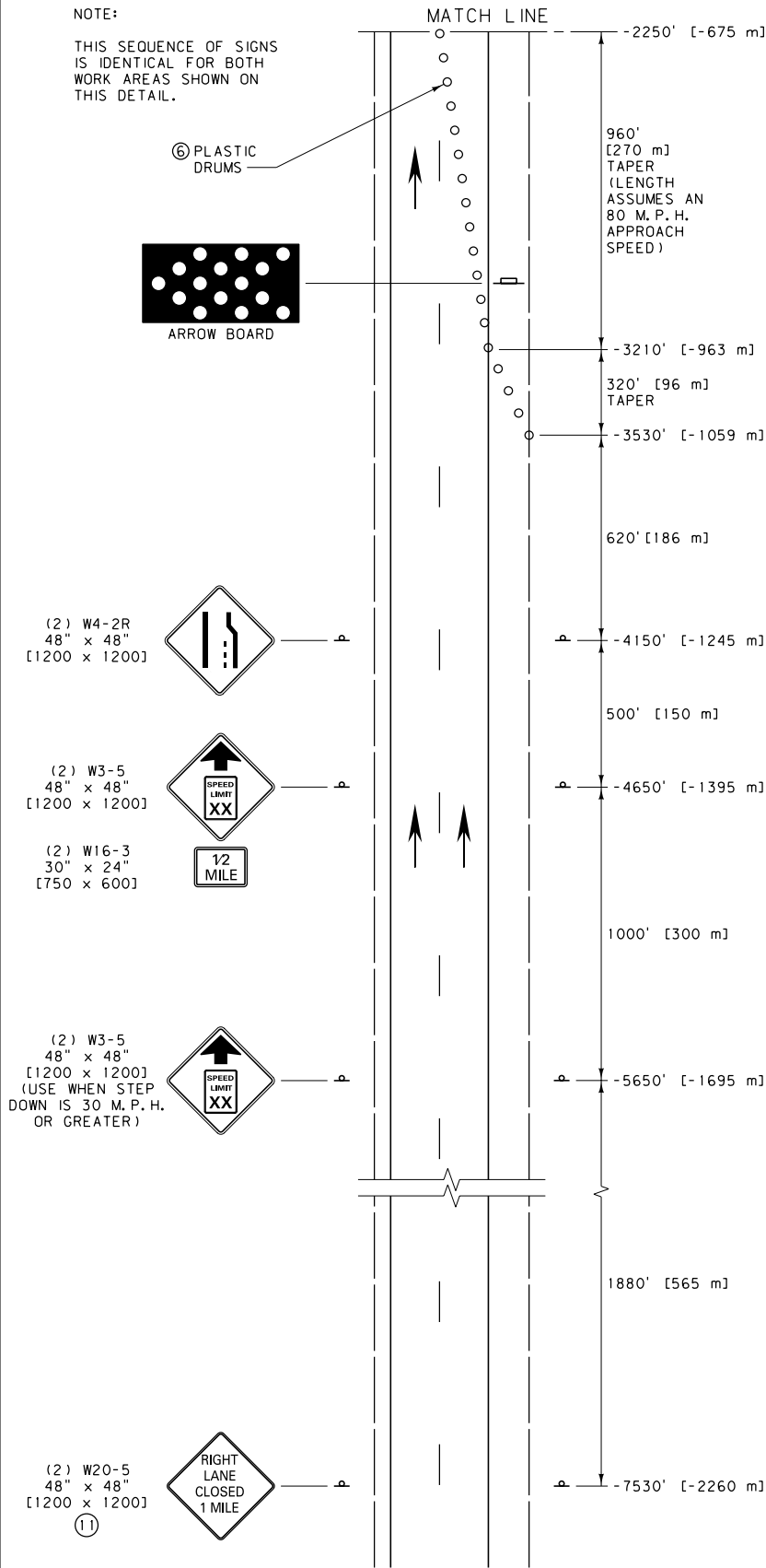
NOTES:

- ① SPACE CHANNELIZING DEVICES ON TANGENTS AT INTERVALS IN FEET [METERS] OF NO MORE THAN 2 [0.6] TIMES THE SPEED LIMIT IN M.P.H. AND ON ALL TAPER SECTIONS AT INTERVALS IN FEET [METERS] OF NO MORE THAN 1 [0.3] TIMES THE SPEED LIMIT IN M.P.H. FOR SPEED LIMITS LESS THAN 35 M.P.H. SPACE CHANNELIZING DEVICES AS DIRECTED BY THE PROJECT MANAGER.
- ② OBLITERATE ALL PAVEMENT MARKINGS THAT CONFLICT AT ANY TIME DURING OR AFTER MEDIAN CROSSOVER USE.
- ③ INDICATED SPACINGS ARE INTENDED TO BE A MAXIMUM AND MAY BE REDUCED IF CONDITIONS WARRANT.
- ④ PROVIDE ADDITIONAL SIGNING FOR EXIT DESTINATION WHEN EXIT DELINEATION IS NOT VISIBLE.
- ⑤ SEE DET. DWG. 618-03.

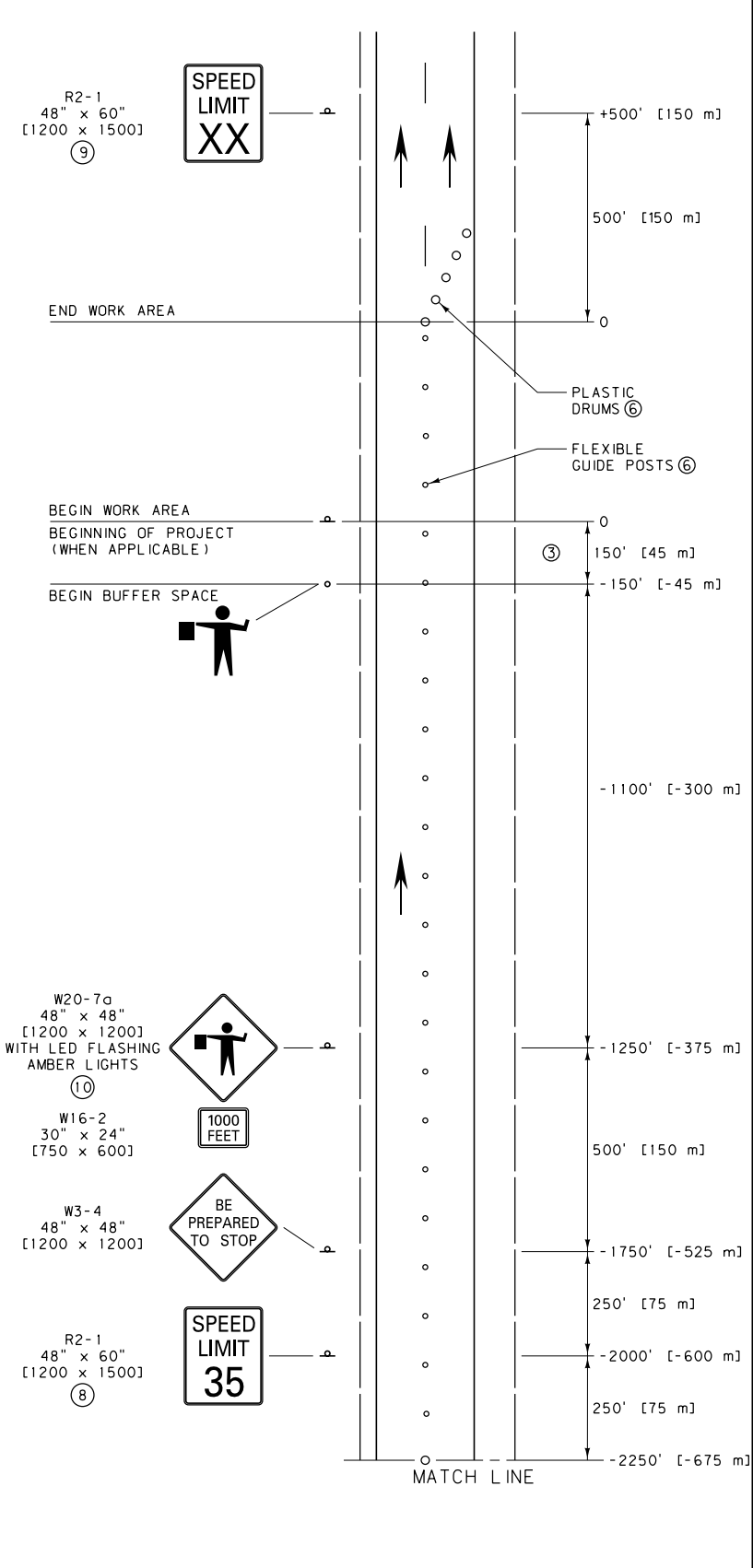
DETAILED DRAWING	
REFERENCE STANDARD SPEC. SECTION 618	DWG. NO. 618-22
TEMPORARY EXIT RAMP MEDIAN CROSSOVER	

UNITS SHOWN IN BRACKETS [] ARE METRIC AND ARE IN MILLIMETERS (mm) UNLESS OTHER UNITS ARE SHOWN.

NOTE:
THIS SEQUENCE OF SIGNS IS IDENTICAL FOR BOTH WORK AREAS SHOWN ON THIS DETAIL.



WORK AREA WITH NO FLAGGER



WORK AREA WITH FLAGGER

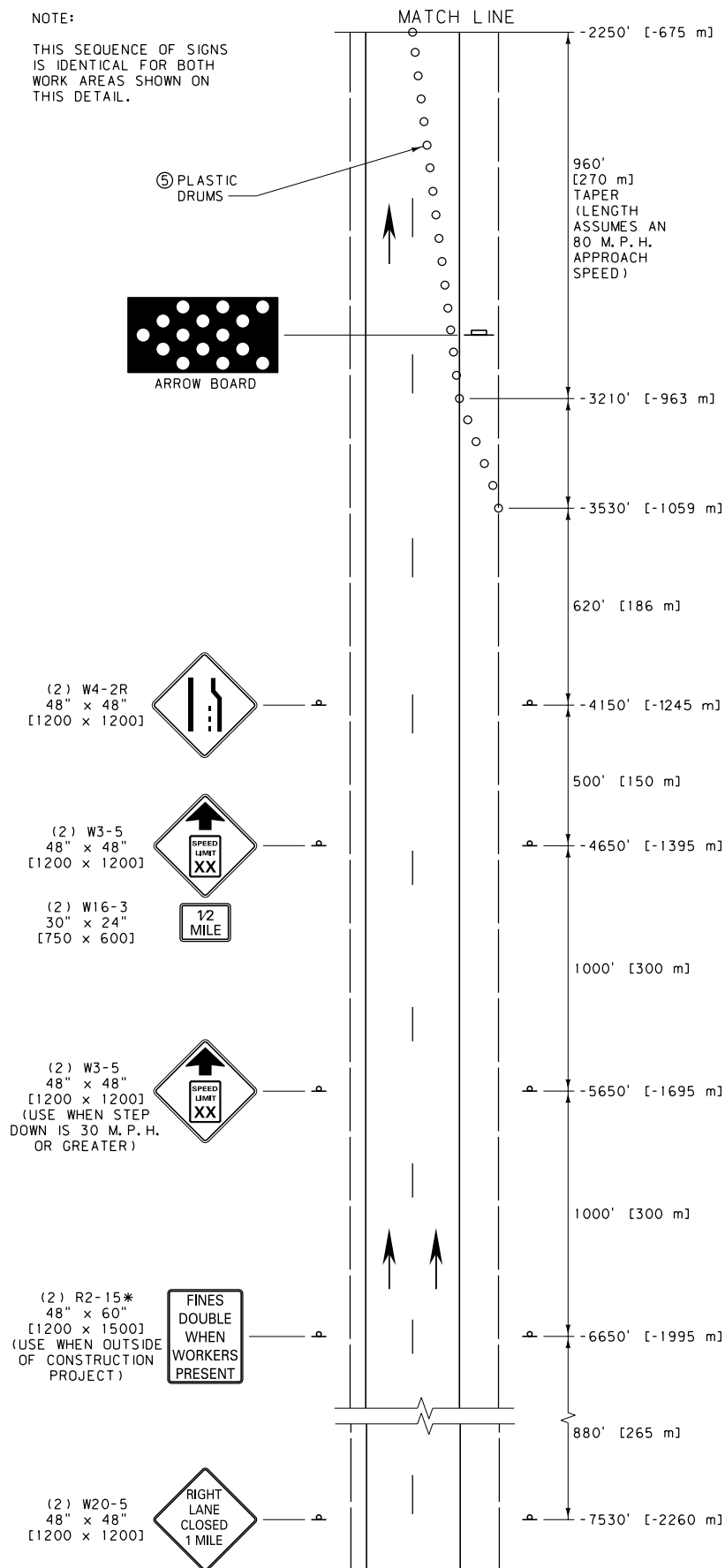
- NOTES:
- ① THESE SIGN LAYOUTS ALSO USED IN CONJUNCTION WITH THE PERMANENT LAYOUT ILLUSTRATED ON DTL. DWG. 618-20 FOR WORK AREAS LOCATED AT THE BEGIN AND END OF THE WORK ZONES.
 - ② INCLUDE REGULATORY SIGNING ONLY IF THERE IS REASON TO RESTRICT SPEED WITHIN THE WORK ZONE. MODIFY REGULATORY SIGNS TO MATCH ADJACENT REGULATIONS.
 - ③ THE BUFFER SPACE MAY BE INCREASED FOR DOWNGRADES AND OTHER CONDITIONS THAT AFFECT STOPPING DISTANCE.
 - ④ XX = SPEED DETERMINED BY THE PROJECT MANAGER.
 - ⑤ PROVIDE A SECOND FLAGGER WHEN REQUIRED BY STANDARD SPECIFICATIONS, SECTION 618.
 - ⑥ SPACE FLEXIBLE GUIDE POSTS ON TANGENTS AT INTERVALS IN FEET [METERS] OF NO MORE THAN TWO [0.6] TIMES THE SPEED LIMIT IN M.P.H. SPACE PLASTIC DRUMS IN ALL TAPER SECTIONS AT INTERVALS IN FEET [METERS] OF NO MORE THAN ONE [0.3] TIMES THE SPEED LIMIT IN M.P.H. FOR SPEED LIMITS LESS THAN 35 M.P.H., SPACE CHANNELIZING DEVICES AS DIRECTED BY THE PROJECT MANAGER.
 - ⑦ WHEN PORTABLE SIGNS ARE USED, PLACE AS DIRECTED BY THE PROJECT MANAGER.
 - ⑧ IF FLAGGER IS MORE THAN ONE MILE [1.6 km] FROM THE LANE CLOSURE, INCLUDE W3-5 SIGNS, AS REQUIRED.
 - ⑨ POST THE SPEED LIMIT APPROPRIATE FOR ALL VEHICLES FOR THE REMAINDER OF THE WORK ZONE BEFORE RESUMING TO NORMAL POSTED SPEED LIMITS AT THE END OF THE WORK ZONE.
 - ⑩ ENSURE THE AMBER LED FLASHING LIGHTS MEET REQUIREMENTS OF STANDARD SPECIFICATION 715 AND DTL. DWG. 618-01.
 - ⑪ POST THE W20-5 AFTER THE W20-1 OR G20-1 AND THE R2-15 IF THE MERGING TAPER OCCURS AT THE BEGINNING OF PROJECT.
- * DENOTES SIGNS THAT ARE UNIQUE TO MONTANA.

UNITS SHOWN IN BRACKETS [] ARE METRIC AND ARE IN MILLIMETERS (mm) UNLESS OTHER UNITS ARE SHOWN.

DETAILED DRAWING	
REFERENCE STANDARD SPEC. SECTION 618, 715	DWG. NO. 618-24
DIVIDED FOUR-LANE WORK AREAS	
--REVISED-- OCTOBER 2017	EFFECTIVE: SEPTEMBER 2014
MDT MONTANA DEPARTMENT OF TRANSPORTATION	

NOTE:

THIS SEQUENCE OF SIGNS IS IDENTICAL FOR BOTH WORK AREAS SHOWN ON THIS DETAIL.



EXISTING NORMAL POSTED SPEED LIMIT (S)

OR
R2-1
48" x 60"
[1200 x 1500]

⑤ FLEXIBLE GUIDE POSTS SPACED AT HALF NORMAL SPACING

3 PLASTIC DRUMS

W23-2*
48" x 48"
[1200 x 1200]

W16-2
30" x 24"
[750 x 600]

R2-1
48" x 60"
[1200 x 1500]

EQUIPMENT ENTRANCE WITH NO FLAGGER

EXISTING NORMAL POSTED SPEED LIMIT (S)

OR
R2-1
48" x 60"
[1200 x 1500]

⑤ FLEXIBLE GUIDE POSTS

W20-7a
48" x 48"
[1200 x 1200]
WITH LED FLASHING AMBER LIGHTS

W16-2
30" x 24"
[750 x 600]

W3-4
48" x 48"
[1200 x 1200]

R2-1
48" x 60"
[1200 x 1500]

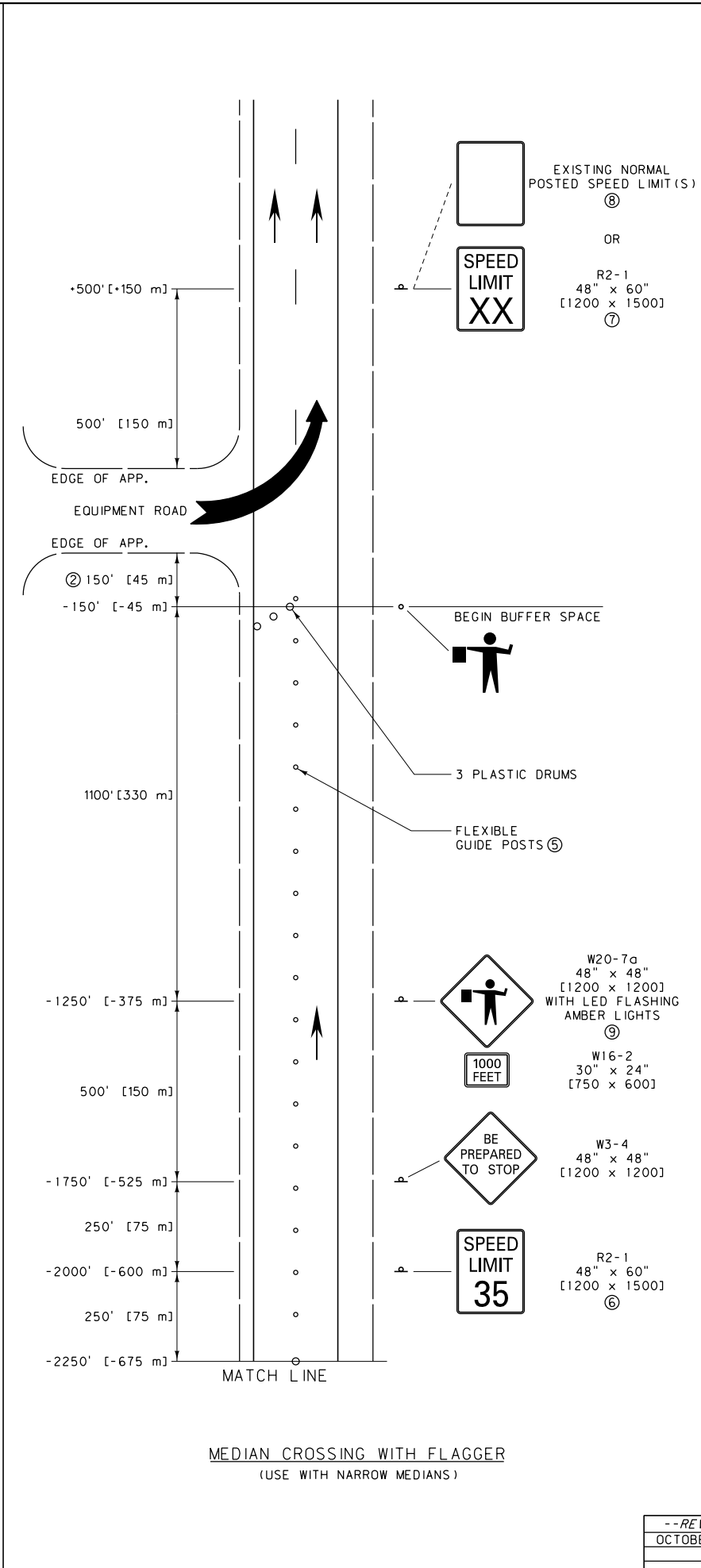
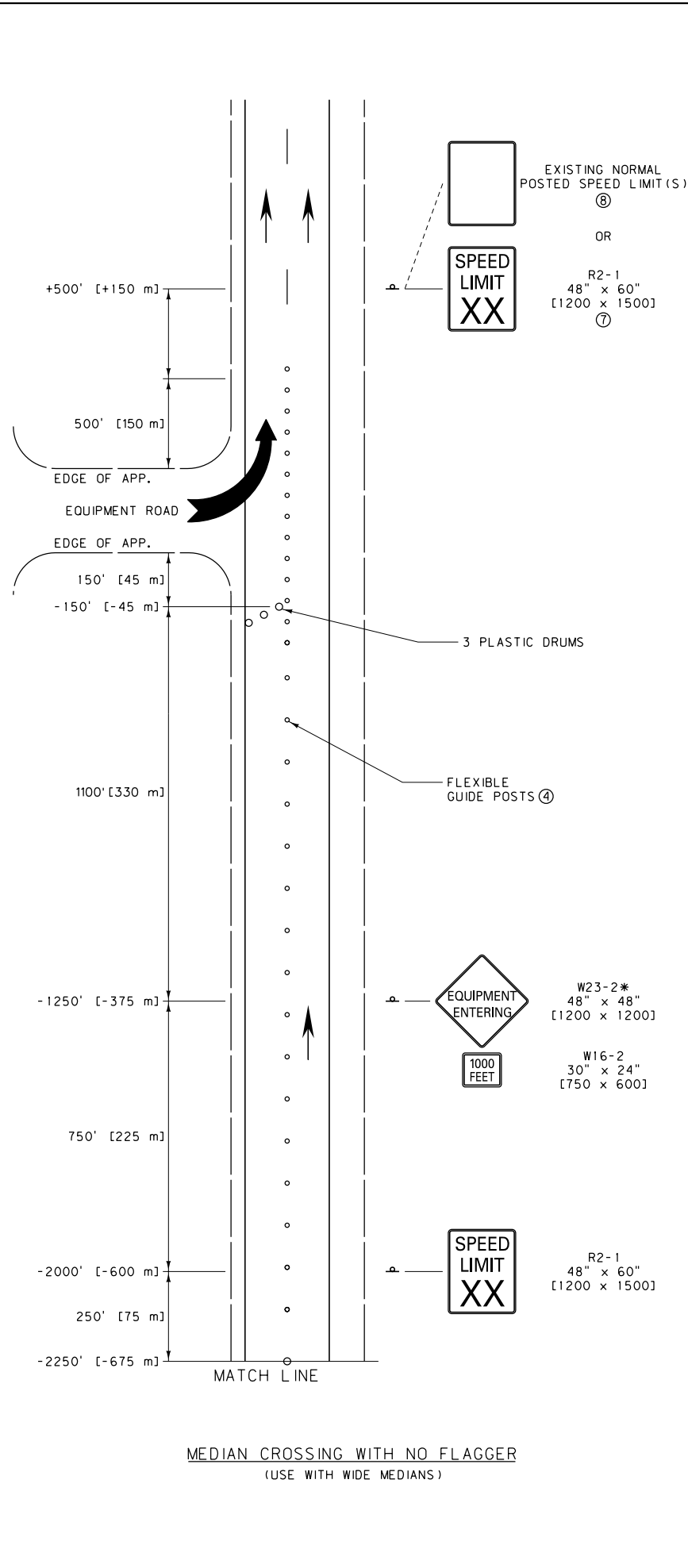
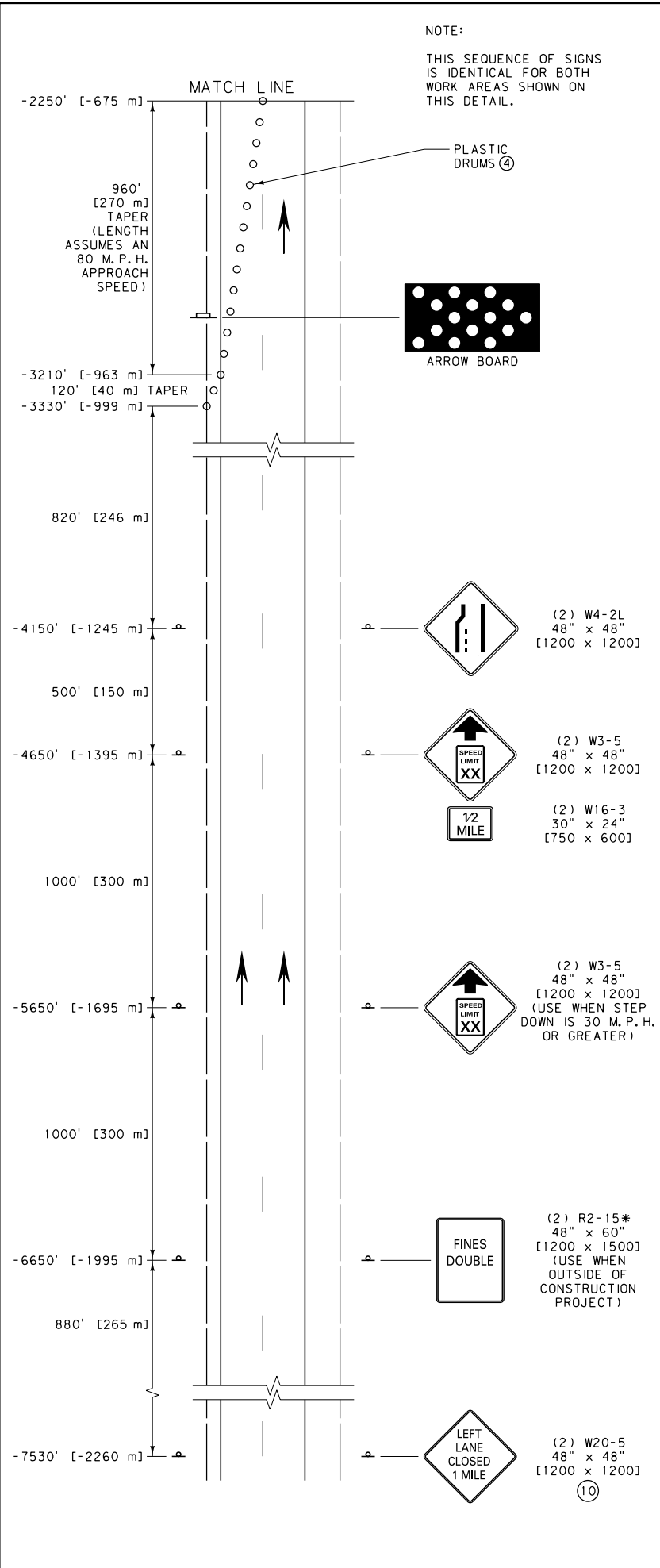
EQUIPMENT ENTRANCE WITH FLAGGER

NOTES:

- ① INCLUDE SPEED LIMIT SIGNING ONLY IF THERE IS REASON TO RESTRICT SPEED WITHIN THE WORK ZONE. REMOVE OR COVER REGULATORY SIGNS TO MATCH ADJACENT REGULATIONS.
 - ② THE BUFFER SPACE MAY BE INCREASED FOR DOWNGRADES AND OTHER CONDITIONS THAT AFFECT STOPPING DISTANCE.
 - ③ XX = SPEED DETERMINED BY THE PROJECT MANAGER.
 - ④ WHEN THIS OCCURS OUTSIDE OF A CONSTRUCTION PROJECT, INCLUDE THE W20-1 AND R2-15* SIGNS.
 - ⑤ SPACE FLEXIBLE GUIDE POSTS ON TANGENTS AT INTERVALS IN FEET (METERS) OF NO MORE THAN TWO (0.6) TIMES THE SPEED LIMIT IN M.P.H. SPACE PLASTIC DRUMS IN ALL TAPER SECTIONS AT INTERVALS IN FEET (METERS) OF NO MORE THAN ONE (0.3) TIMES THE SPEED LIMIT IN M.P.H. FOR SPEED LIMITS LESS THAN 35 M.P.H., SPACE CHANNELIZING DEVICES AS DIRECTED BY THE PROJECT MANAGER.
 - ⑥ IF FLAGGER IS MORE THAN ONE MILE (1.6 km) FROM THE LANE CLOSURE, INCLUDE W3-5 SIGNS, AS REQUIRED.
 - ⑦ POST THE SPEED LIMIT APPROPRIATE FOR ALL VEHICLES FOR THE REMAINDER OF THE WORK ZONE BEFORE RESUMING TO NORMAL POSTED SPEED LIMITS AT THE END OF THE WORK ZONE.
 - ⑧ WHEN OUTSIDE OF A CONSTRUCTION PROJECT, POST THE SPEED LIMIT CONSISTING OF ONE LIMIT WHEN THE NORMAL POSTED SPEED LIMIT FOR ALL VEHICLES IS THE SAME. WHEN CAR AND TRUCK SPEED LIMITS DIFFER, POST BOTH LIMITS ON A SINGLE SIGN.
 - ⑨ ENSURE THE AMBER LED FLASHERS MEET REQUIREMENTS OF SECTION 715 AND DTL. DWG. 618-01.
 - ⑩ POST THE W20-5 AFTER THE W20-1 OR THE G20-1 AND THE R2-15 IF THE MERGING TAPER OCCURS AT THE BEGINNING OF PROJECT.
- * DENOTES SIGNS THAT ARE UNIQUE TO MONTANA.

UNITS SHOWN IN BRACKETS [] ARE METRIC AND ARE IN MILLIMETERS (mm) UNLESS OTHER UNITS ARE SHOWN.

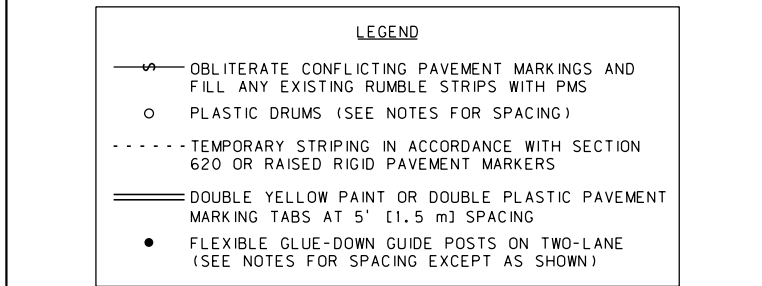
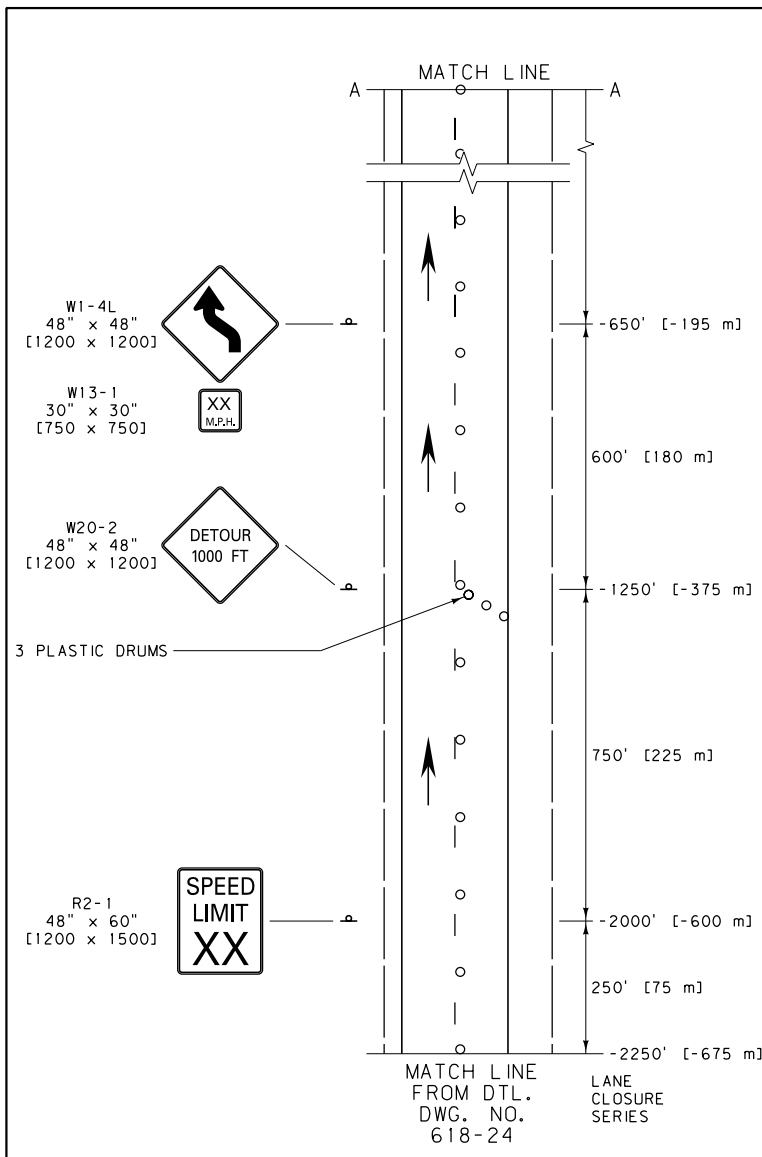
DETAILED DRAWING	
REFERENCE STANDARD SPEC. SECTION 618, 715	DWG. NO. 618-27
DIVIDED FOUR-LANE EQUIPMENT ENTRANCE	



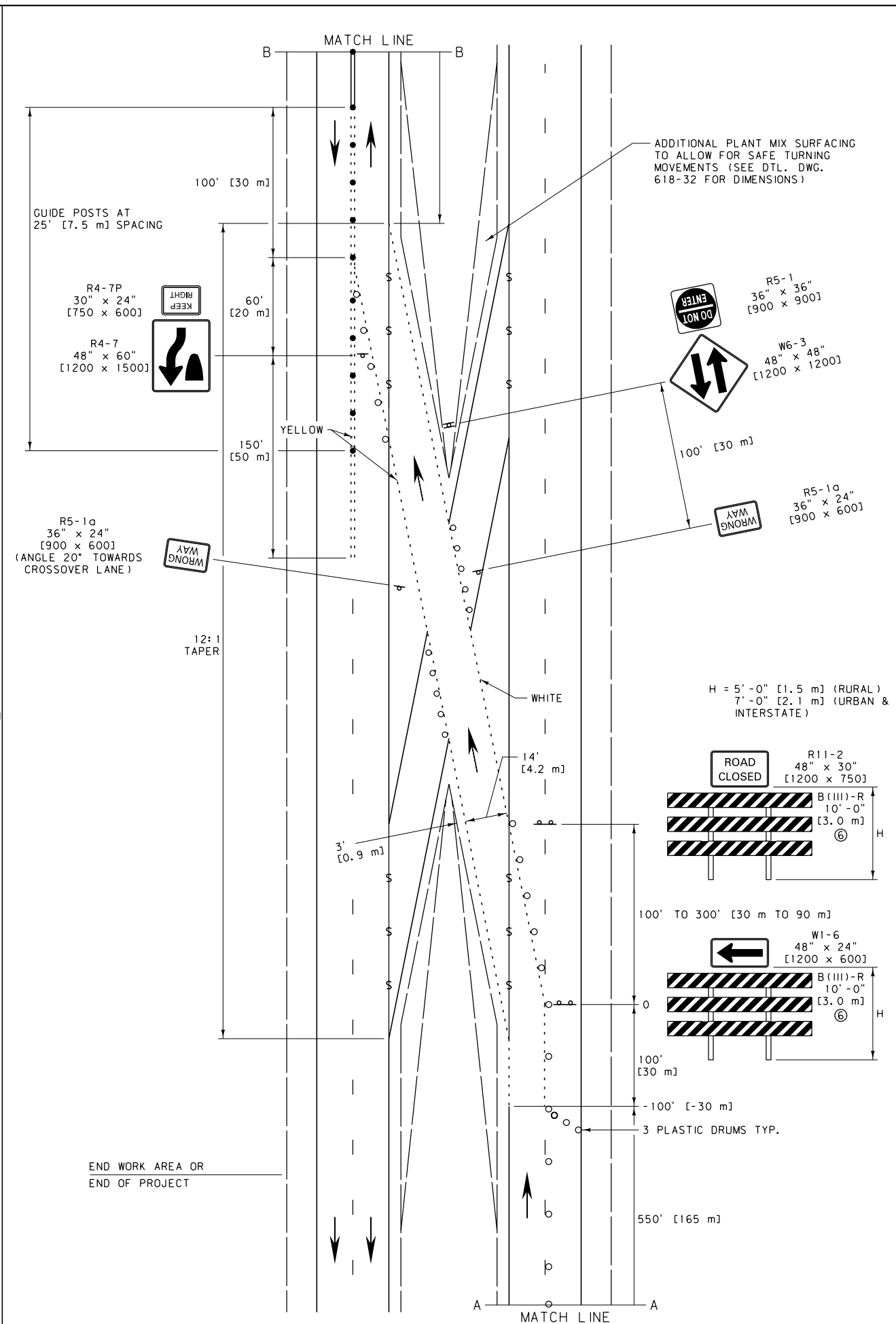
- NOTES:
- INCLUDE SPEED LIMIT SIGNING ONLY IF THERE IS REASON TO RESTRICT SPEED WITHIN THE WORK ZONE. REMOVE OR COVER REGULATORY SIGNS TO MATCH ADJACENT REGULATIONS.
 - THE BUFFER SPACE MAY BE INCREASED FOR DOWNGRADES AND OTHER CONDITIONS THAT AFFECT STOPPING DISTANCE.
 - XX = SPEED DETERMINED BY THE PROJECT MANAGER.
 - WHEN THIS OCCURS OUTSIDE OF A CONSTRUCTION PROJECT, INCLUDE THE W20-1 AND R2-15* SIGNS.
 - SPACE FLEXIBLE GUIDE POSTS ON TANGENTS AT INTERVALS IN FEET [METERS] OF NO MORE THAN TWO [0.6] TIMES THE SPEED LIMIT IN M.P.H. SPACE PLASTIC DRUMS IN ALL TAPER SECTIONS AT INTERVALS IN FEET [METERS] OF NO MORE THAN ONE [0.3] TIMES THE SPEED LIMIT IN M.P.H. FOR SPEED LIMITS LESS THAN 35 M.P.H., SPACE CHANNELIZING DEVICES AS DIRECTED BY THE PROJECT MANAGER.
 - IF FLAGGER IS MORE THAN ONE MILE [1.6 km] FROM THE LANE CLOSURE, INCLUDE W3-5 SIGNS, AS REQUIRED.
 - POST THE SPEED LIMIT APPROPRIATE FOR ALL VEHICLES FOR THE REMAINDER OF THE WORK ZONE BEFORE RESUMING TO NORMAL POSTED SPEED LIMITS AT THE END OF WORK ZONE.
 - WHEN OUTSIDE OF A CONSTRUCTION PROJECT, POST THE SPEED LIMIT CONSISTING OF ONE LIMIT WHEN THE NORMAL POSTED SPEED LIMIT FOR ALL VEHICLES IS THE SAME. WHEN CAR AND TRUCK SPEED LIMITS DIFFER, POST BOTH LIMITS ON A SINGLE SIGN.
 - ENSURE THE AMBER LED FLASHERS MEET REQUIREMENTS OF SECTION 715 AND DTL. DWG. 618-01.
 - POST THE W20-5 AFTER THE W20-1 OR G20-1 AND THE R2-15 IF THE MERGING TAPER OCCURS AT THE BEGINNING OF PROJECT.
- * DENOTES SIGNS THAT ARE UNIQUE TO MONTANA.

UNITS SHOWN IN BRACKETS [] ARE METRIC AND ARE IN MILLIMETERS (mm) UNLESS OTHER UNITS ARE SHOWN.

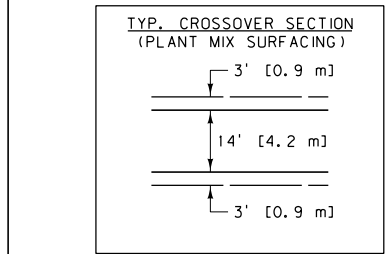
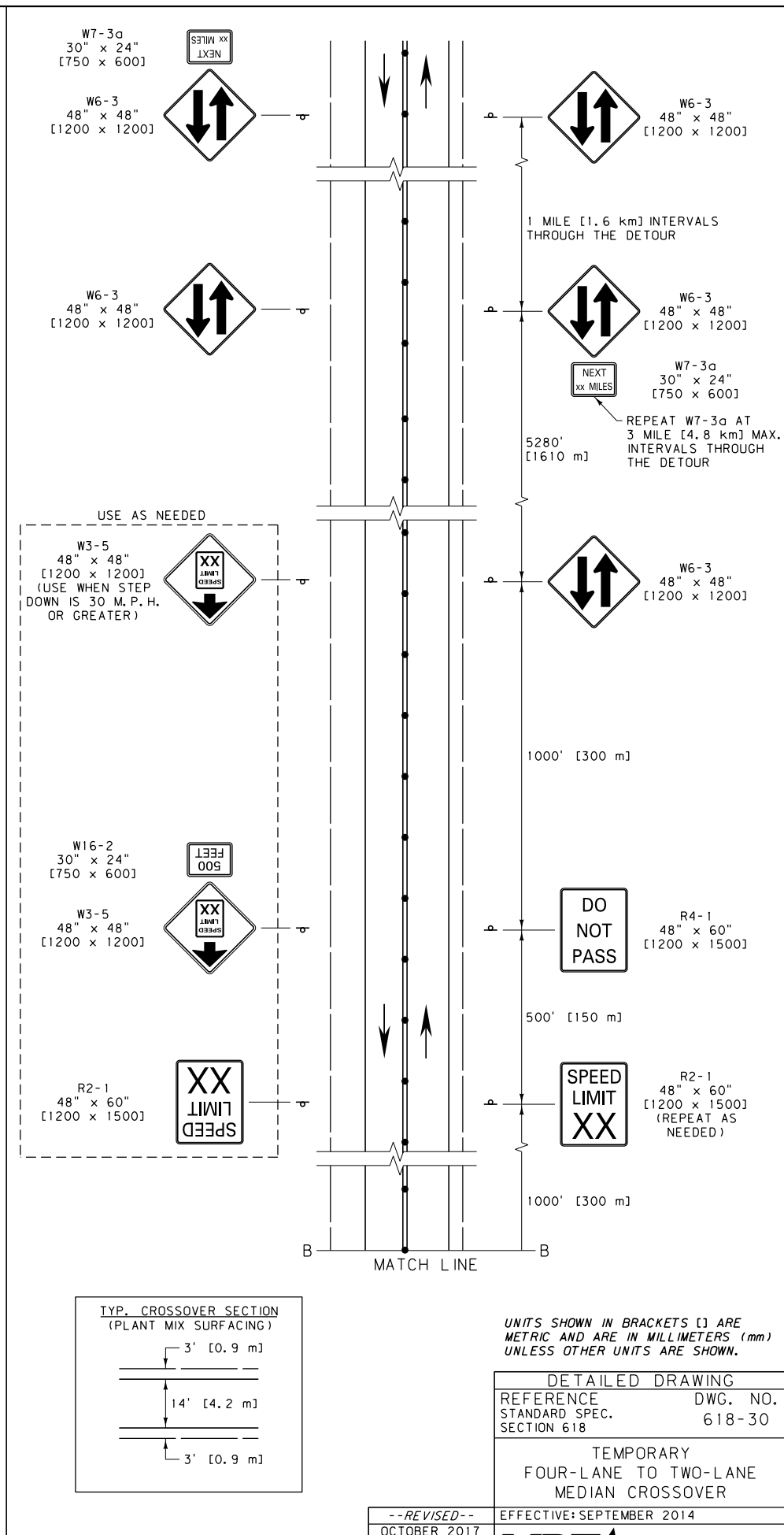
DETAILED DRAWING	
REFERENCE STANDARD SPEC. SECTION 618, 715	DWG. NO. 618-28
DIVIDED FOUR-LANE MEDIAN CROSSING	
EFFECTIVE: SEPTEMBER 2014	
MDT	MONTANA DEPARTMENT OF TRANSPORTATION



- NOTES:
- INCLUDE REGULATORY SIGNING ONLY AS REQUIRED. REMOVE OR COVER REGULATORY SIGNS TO MATCH ADJACENT REGULATIONS.
 - INDICATED SPACINGS ARE INTENDED TO BE A MAXIMUM AND MAY BE REDUCED IF CONDITIONS WARRANT.
 - XX = SPEED DETERMINED BY THE MEDIAN CROSSOVER DESIGN SPEED OR THE PROJECT MANAGER.
 - SPACE CHANNELIZING DEVICES ON TANGENTS AT INTERVALS IN FEET [METERS] OF NO MORE THAN TWO [0.6] TIMES THE SPEED LIMIT IN M.P.H. AND ON ALL TAPER SECTIONS AT INTERVALS IN FEET [METERS] OF NO MORE THAN ONE [0.3] TIMES THE SPEED LIMIT IN M.P.H. FOR SPEED LIMITS LESS THAN 35 M.P.H., SPACE CHANNELIZING DEVICES AS DIRECTED BY THE PROJECT MANAGER.
 - OBLITERATE ALL PAVEMENT MARKINGS THAT CONFLICT AT ANY TIME DURING OR AFTER MEDIAN CROSSOVER USE.
 - SEE DTL. DWG. 618-03.

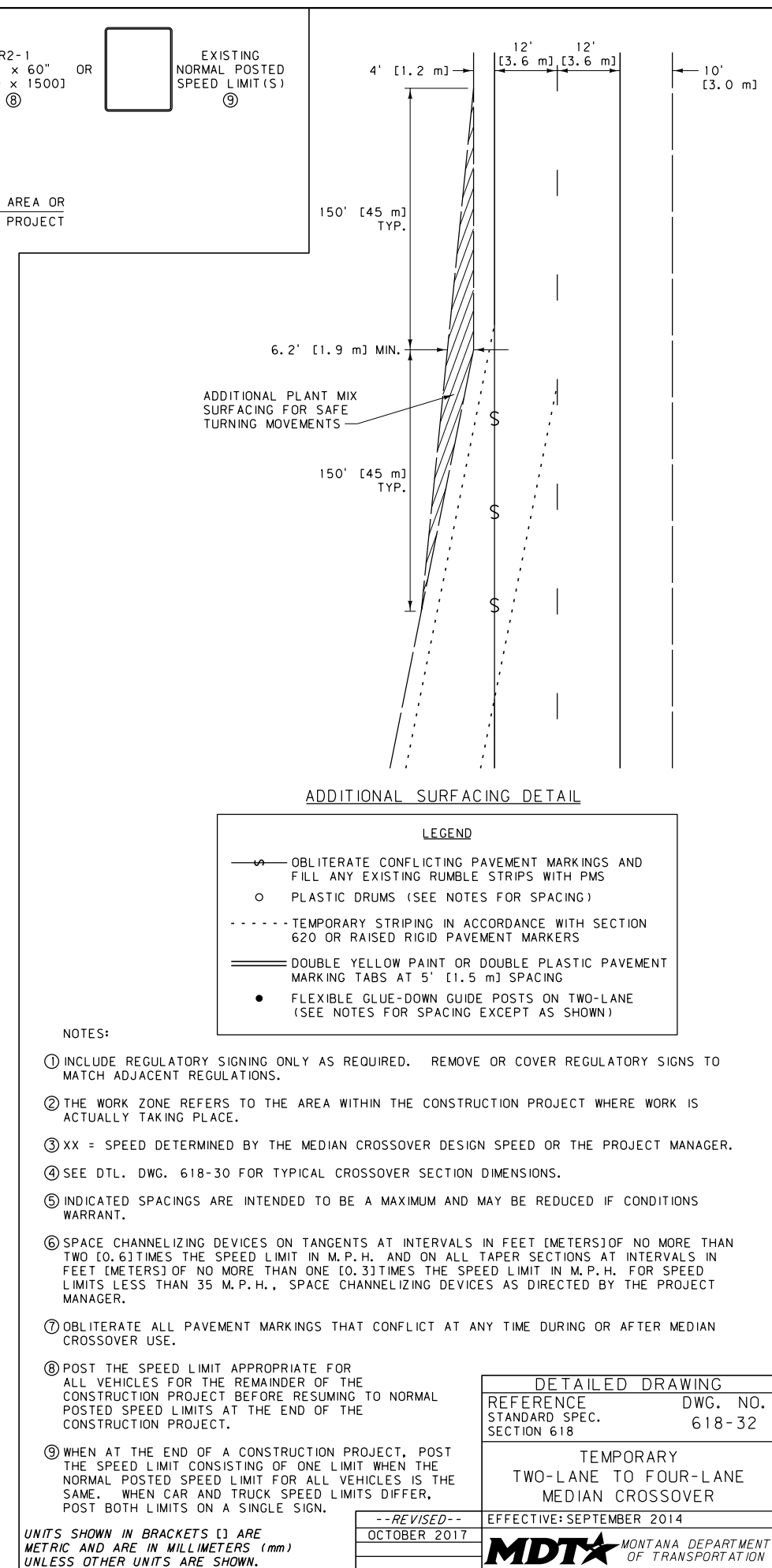
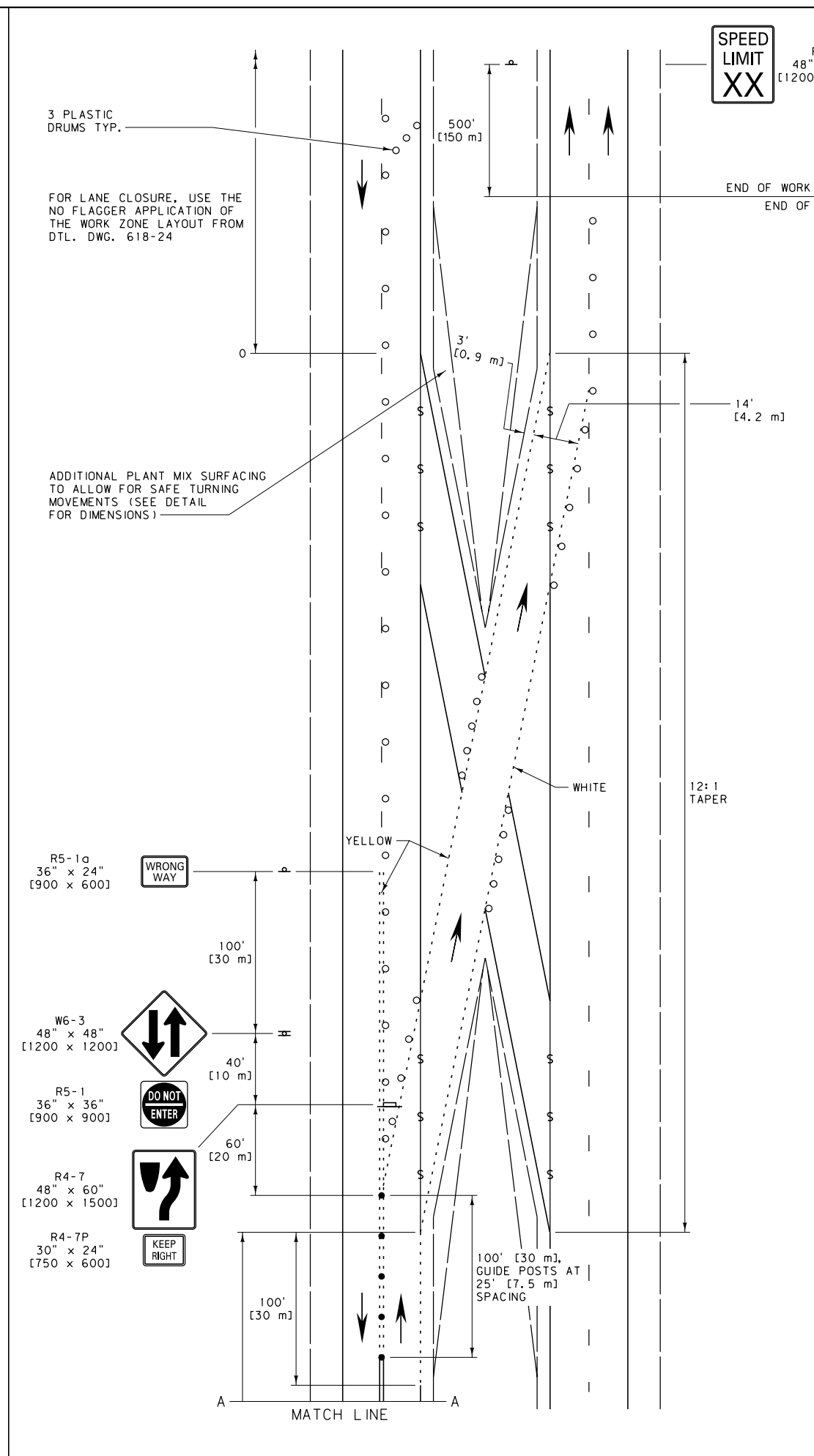
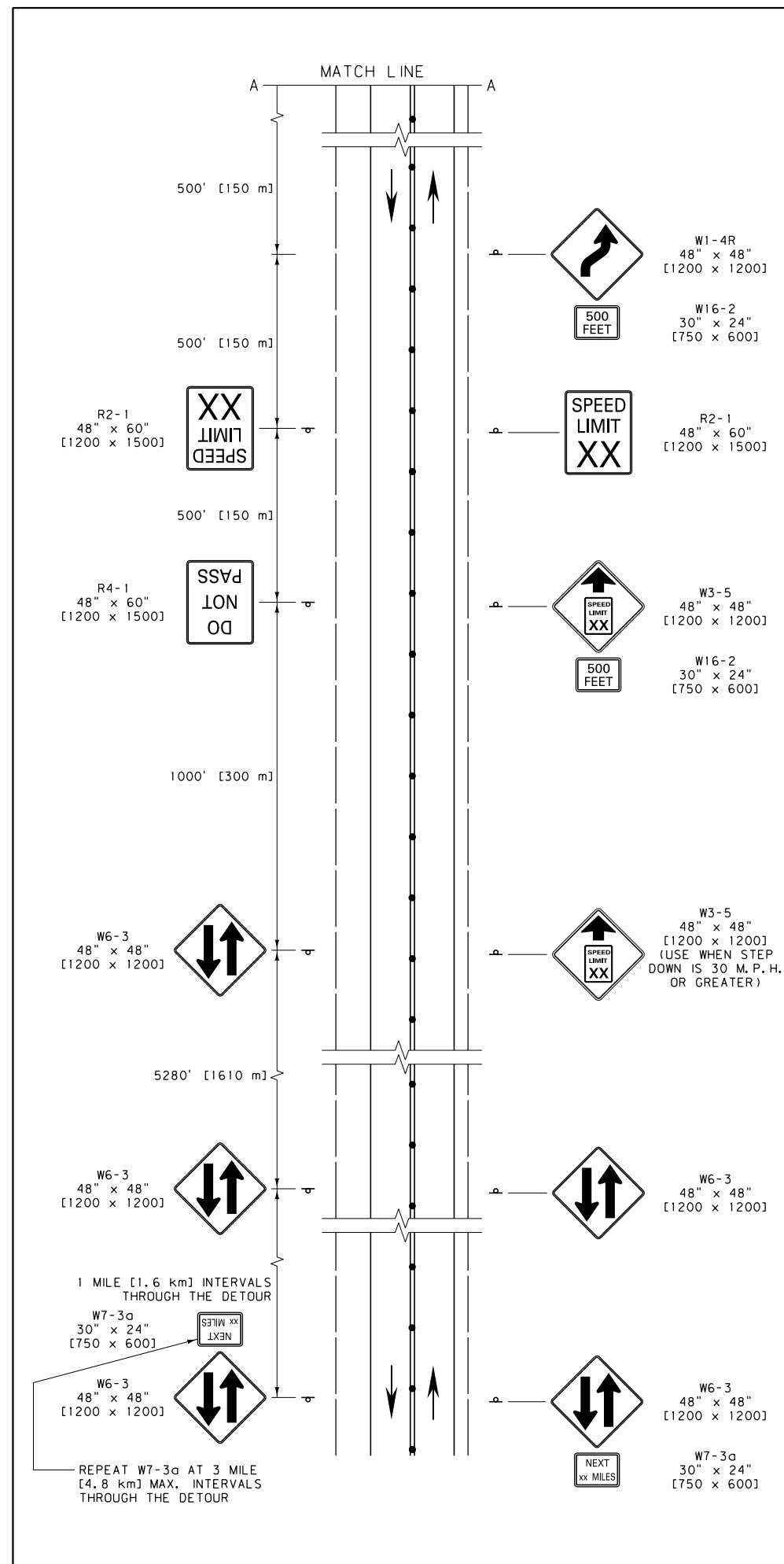


END WORK AREA OR
END OF PROJECT



UNITS SHOWN IN BRACKETS [] ARE METRIC AND ARE IN MILLIMETERS (mm) UNLESS OTHER UNITS ARE SHOWN.

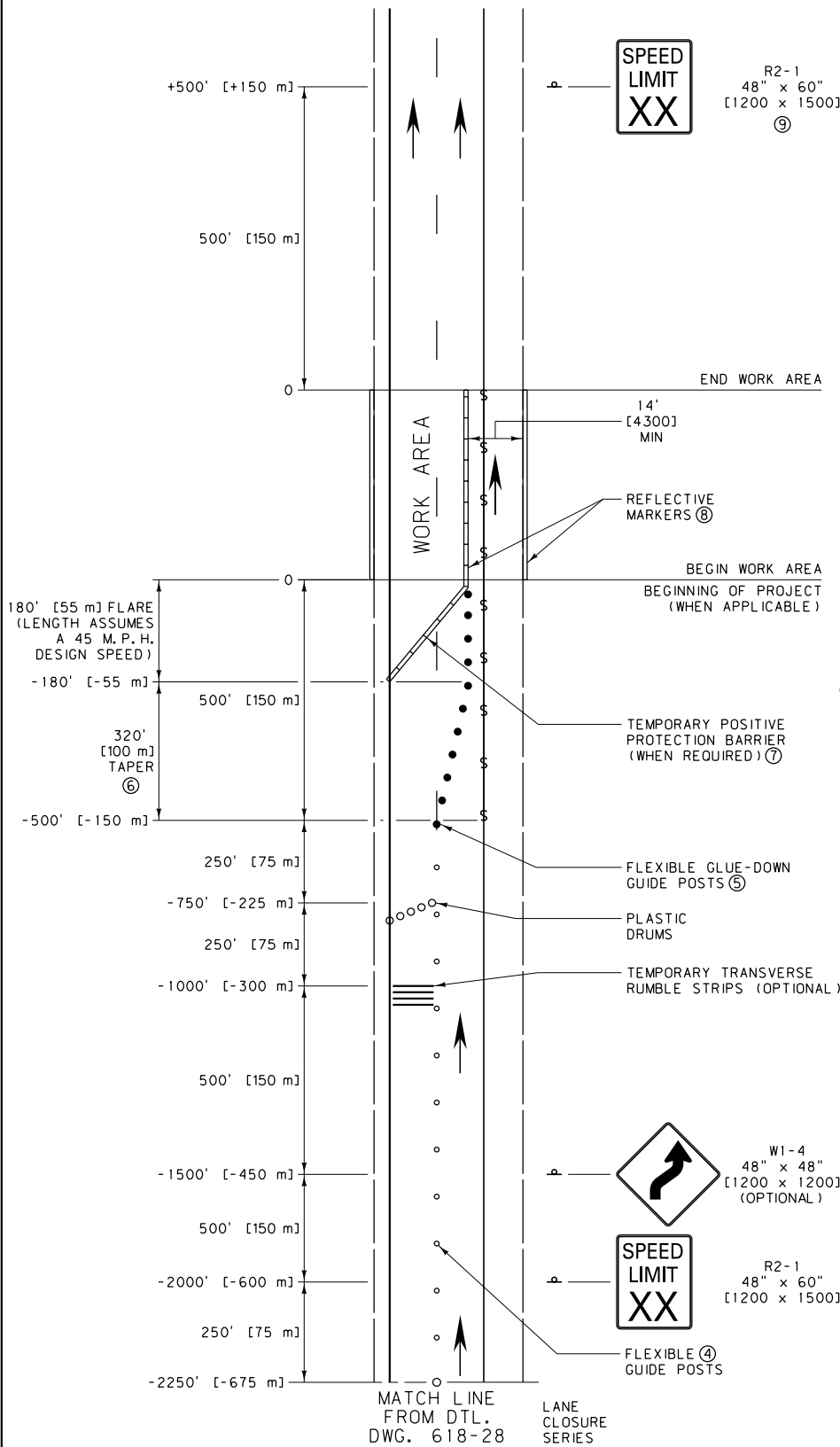
DETAILED DRAWING	
REFERENCE STANDARD SPEC. SECTION 618	DWG. NO. 618-30
TEMPORARY FOUR-LANE TO TWO-LANE MEDIAN CROSSOVER	



DETAILED DRAWING	
REFERENCE STANDARD SPEC. SECTION 618	DWG. NO. 618-32
TEMPORARY TWO-LANE TO FOUR-LANE MEDIAN CROSSOVER	
EFFECTIVE: SEPTEMBER 2014	
--REVISED--	
OCTOBER 2017	
MONTANA DEPARTMENT OF TRANSPORTATION	

NOTES:

- ① THESE SIGN LAYOUTS USED IN CONJUNCTION WITH THE LAYOUT ILLUSTRATED ON DTL. DWG. 618-28.
 - ② INCLUDE REGULATORY SIGNING ONLY AS REQUIRED. REMOVE OR COVER REGULATORY SIGNS TO MATCH ADJACENT REGULATIONS.
 - ③ XX = SPEED DETERMINED BY THE PROJECT MANAGER.
 - ④ SPACE CHANNELIZING DEVICES ON TANGENTS AT INTERVALS IN FEET (METERS) OF NO MORE THAN TWO (0.6) TIMES THE SPEED LIMIT IN M.P.H. AND ON ALL TAPER SECTIONS AT INTERVALS IN FEET (METERS) OF NO MORE THAN ONE (0.3) TIMES THE SPEED LIMIT IN M.P.H. FOR SPEED LIMITS LESS THAN 35 M.P.H., SPACE CHANNELIZING DEVICES AS DIRECTED BY THE PROJECT MANAGER.
 - ⑤ SPACE FLEXIBLE GLUE-DOWN GUIDE POSTS USED FOR LANE SHIFT TAPER AT INTERVALS IN FEET (METERS) OF NO MORE THAN 1/2 (0.2) TIMES THE SPEED IN M.P.H.
 - ⑥ THE LANE SHIFT TAPER LENGTH ASSUMES AN 8' (2400) LANE SHIFT OFFSET AND AN 80 M.P.H. APPROACH SPEED. CONTACT THE PROJECT MANAGER IF CONDITIONS VARY.
 - ⑦ TEMPORARY POSITIVE PROTECTION BARRIER CAN TERMINATE AT THE CENTER OF THE CLOSED LANE FOR ACCESS PURPOSES IF AN APPROVED TEMPORARY IMPACT ATTENUATOR IS USED.
 - ⑧ PLACE REFLECTIVE MARKERS ALONG THE TOP OF TEMPORARY BARRIER AND ENSURE REFLECTORS ON EXISTING BARRIER ARE INTACT.
 - ⑨ POST THE SPEED LIMIT APPROPRIATE FOR ALL VEHICLES FOR THE REMAINDER OF THE WORK ZONE BEFORE RESUMING TO NORMAL POSTED SPEED LIMITS AT THE END OF THE WORK ZONE.
 - ⑩ OBLITERATE CONFLICTING PAVEMENT MARKINGS BEGINNING AT THE SHIFTING TAPER AND CONTINUING THROUGH THE WORK AREA.
- * DENOTES SIGNS THAT ARE UNIQUE TO MONTANA.



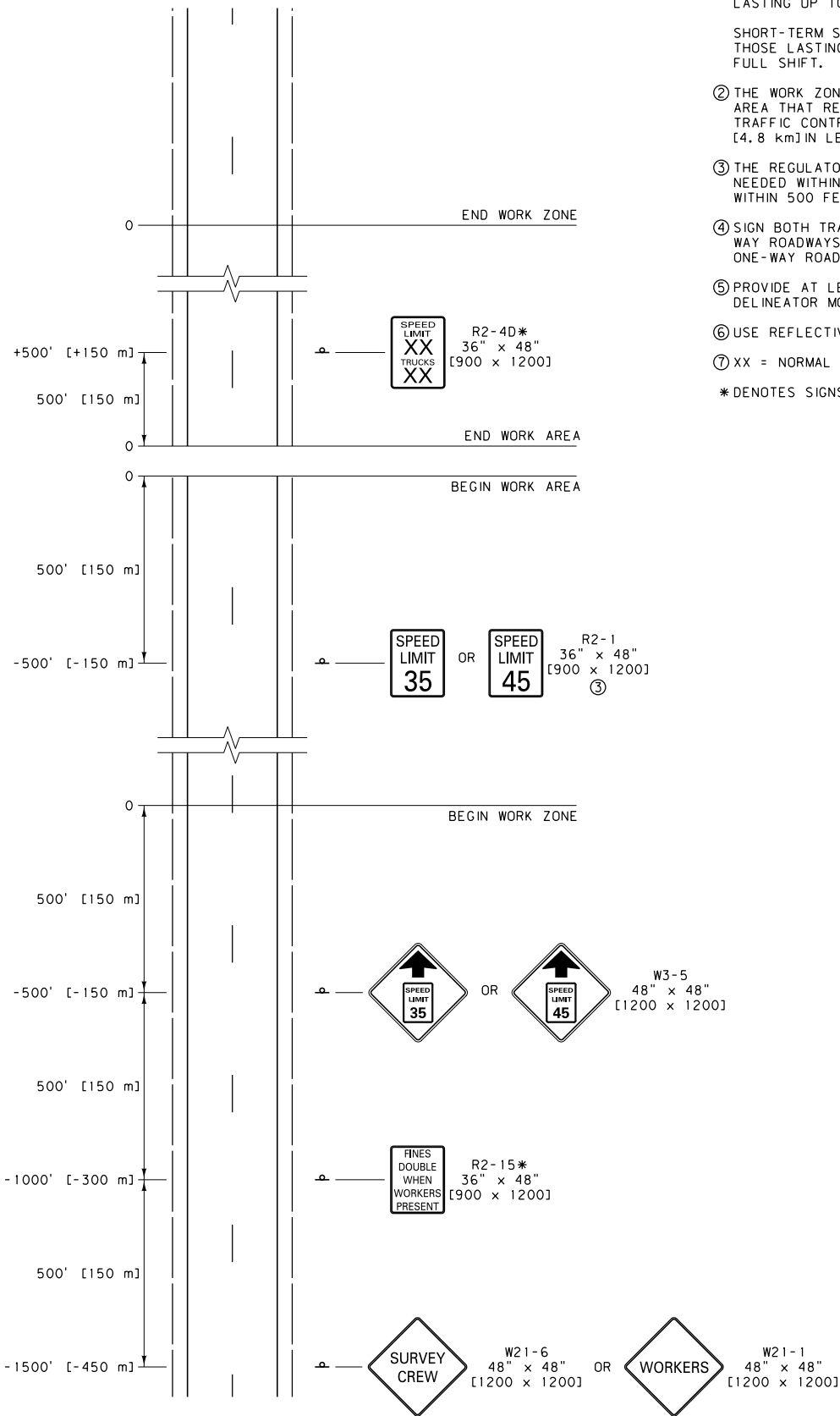
UNITS SHOWN IN BRACKETS [] ARE METRIC AND ARE IN MILLIMETERS (mm) UNLESS OTHER UNITS ARE SHOWN.

LEGEND	
	OBLITERATE CONFLICTING PAVEMENT MARKINGS ⑩
	PLASTIC DRUMS (SEE NOTES FOR SPACING)
	FLEXIBLE GLUE-DOWN GUIDE POSTS (SEE NOTES FOR SPACING)
	FLEXIBLE GUIDE POSTS

DETAILED DRAWING	
REFERENCE STANDARD SPEC. SECTION 618	DWG. NO. 618-33
DIVIDED FOUR-LANE SINGLE LANE CLOSURE LANE SHIFT	

NOTES:

- ① SHORT DURATION ACTIVITIES ARE DEFINED AS THOSE LASTING UP TO ONE HOUR.
SHORT-TERM STATIONARY ACTIVITIES ARE DEFINED AS THOSE LASTING GREATER THAN ONE HOUR, UP TO A FULL SHIFT.
 - ② THE WORK ZONE REFERS TO THE GENERAL AREA THAT REQUIRES TEMPORARY WORK ZONE TRAFFIC CONTROL. IT SHOULD NOT EXCEED 3 MILES [4.8 km] IN LENGTH.
 - ③ THE REGULATORY SPEED SIGNS MUST MOVE AS NEEDED WITHIN THE WORK ZONE TO REMAIN WITHIN 500 FEET [150 m] OF THE WORK AREA.
 - ④ SIGN BOTH TRAVEL DIRECTIONS ON TWO-LANE, TWO-WAY ROADWAYS OR BOTH SHOULDERS ON TWO-LANE, ONE-WAY ROADWAYS.
 - ⑤ PROVIDE AT LEAST THE DISTANCE SHOWN FOR DELINEATOR MOUNTED SIGNS.
 - ⑥ USE REFLECTIVE DEVICES.
 - ⑦ XX = NORMAL POSTED SPEED LIMIT(S).
- * DENOTES SIGNS THAT ARE UNIQUE TO MONTANA.



UNITS SHOWN IN BRACKETS [] ARE METRIC AND ARE IN MILLIMETERS (mm) UNLESS OTHER UNITS ARE SHOWN.

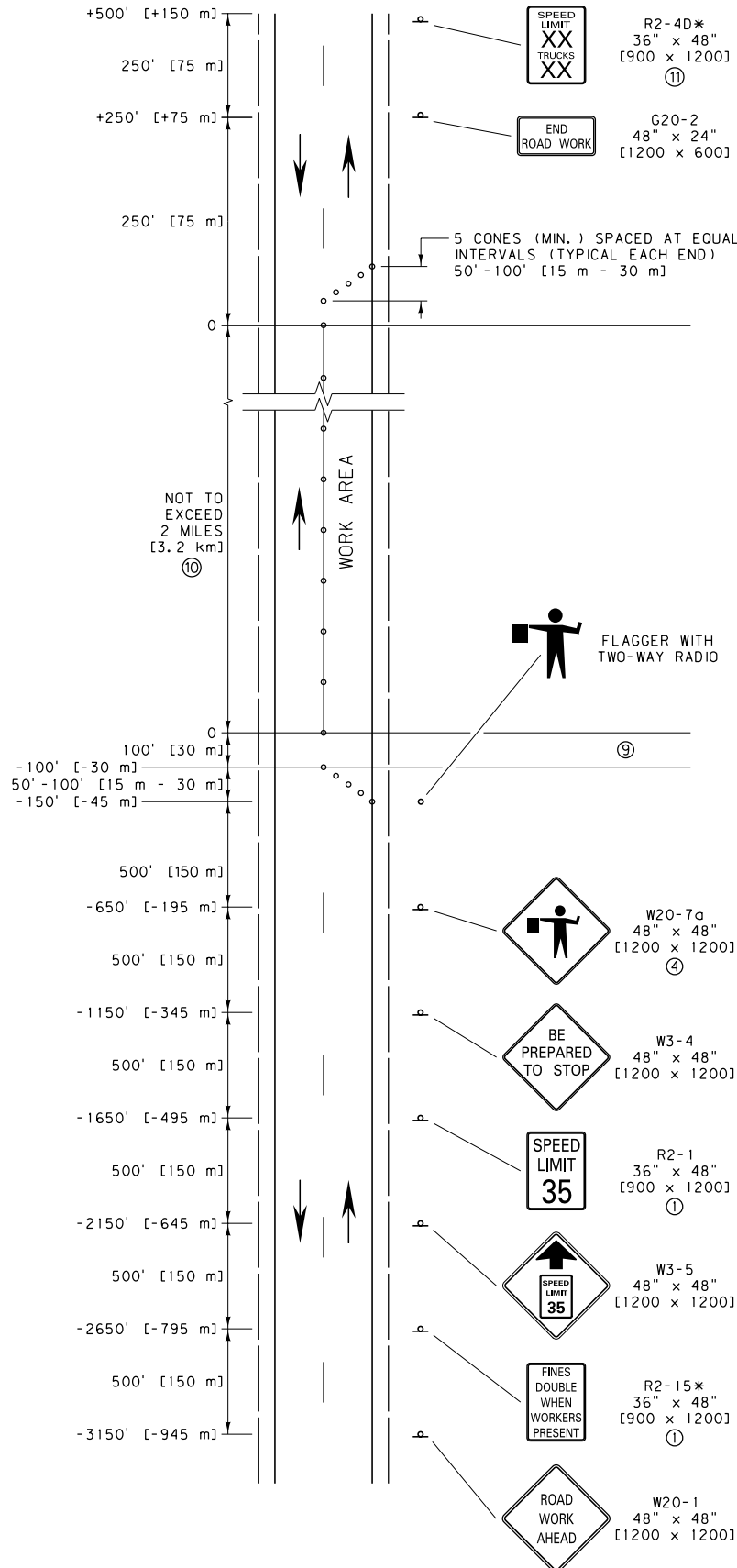
DETAILED DRAWING	
REFERENCE STANDARD SPEC. SECTION 618	DWG. NO. 618-34

SHORT DURATION OR SHORT-TERM STATIONARY CREW SIGNING

--REVISED--
OCTOBER 2017

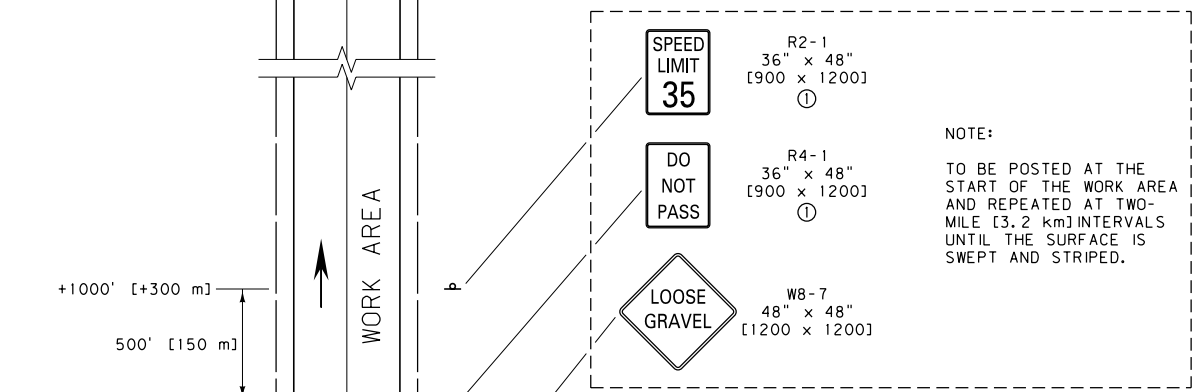
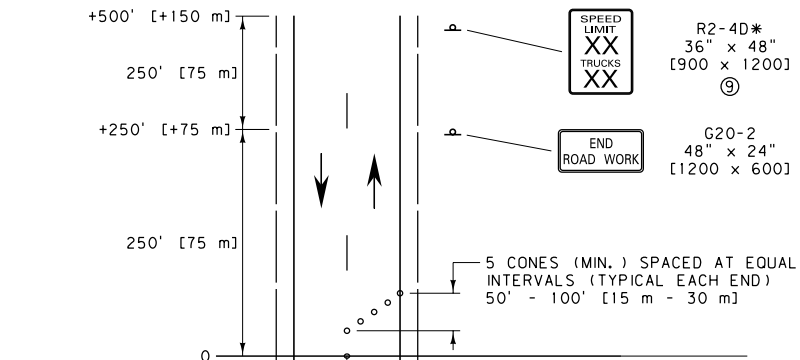
NOTES:

- ① MINIMUM REGULATORY SIGN SIZE IS 24" X 30" [600 X 750] ON TWO-LANE ROADS.
 - ② ON ROADWAYS WITH HIGH TRAFFIC VOLUMES OR VISIBILITY RESTRICTIONS, A 500' [150 m] SPACING FOR ALL SIGNS IS RECOMMENDED.
 - ③ SPACE CHANNELIZING DEVICES AT INTERVALS IN FEET [METERS] EQUAL TO TWICE [0.6 TIMES] THE SPEED LIMIT IN M.P.H. THROUGH THE BUFFER AND WORK AREA.
 - ④ IF A NEED ARISES TO INCREASE VEHICLE STORAGE, ADD AN ADDITIONAL W20-7a "FLAGGER AHEAD" SIGN BETWEEN THE R2-1 AND W3-4 SIGNS AND/OR CONSIDER AN ADDITIONAL ADVANCE FLAGGER.
 - ⑤ A MIRROR IMAGE OF THIS SIGN SEQUENCE IS REQUIRED FOR THE TRAFFIC FROM THE OPPOSITE DIRECTION.
 - ⑥ FOR MORE INFORMATION OR CLARIFICATION CONTACT THE DISTRICT TRAFFIC ENGINEER. FOR EXAMPLE, IF WORK ZONE IS CLOSE TO A HORIZONTAL CURVE, A VERTICAL CURVE, A BRIDGE, INTERCHANGE, POOR SIGHT DISTANCE, OR OTHER SPECIAL CONDITION.
 - ⑦ COVER ANY CONFLICTING SIGNS IN THE WORK ZONE.
 - ⑧ SHORT-TERM WORK ZONE SIGNING IS NOT REQUIRED TO BE POST MOUNTED.
 - ⑨ THE BUFFER SPACE CAN BE LATERAL AND LONGITUDINAL AND MAY BE INCREASED FOR DOWNGRADES AND OTHER CONDITIONS THAT AFFECT STOPPING DISTANCE.
 - ⑩ TYPICALLY 2 MILES [3.2 km] IS THE MAX. WORK AREA. HOWEVER, WHEN SIGHT DISTANCE, BUFFER ZONES OR ACCOMPLISHMENT RATES FOR EQUIPMENT ARE CONSIDERED, SOME MINOR ADJUSTMENTS TO THIS MAX. MAY BE CONSIDERED.
 - ⑪ XX = NORMAL POSTED SPEED LIMIT(S).
- * DENOTES SIGNS THAT ARE UNIQUE TO MONTANA.

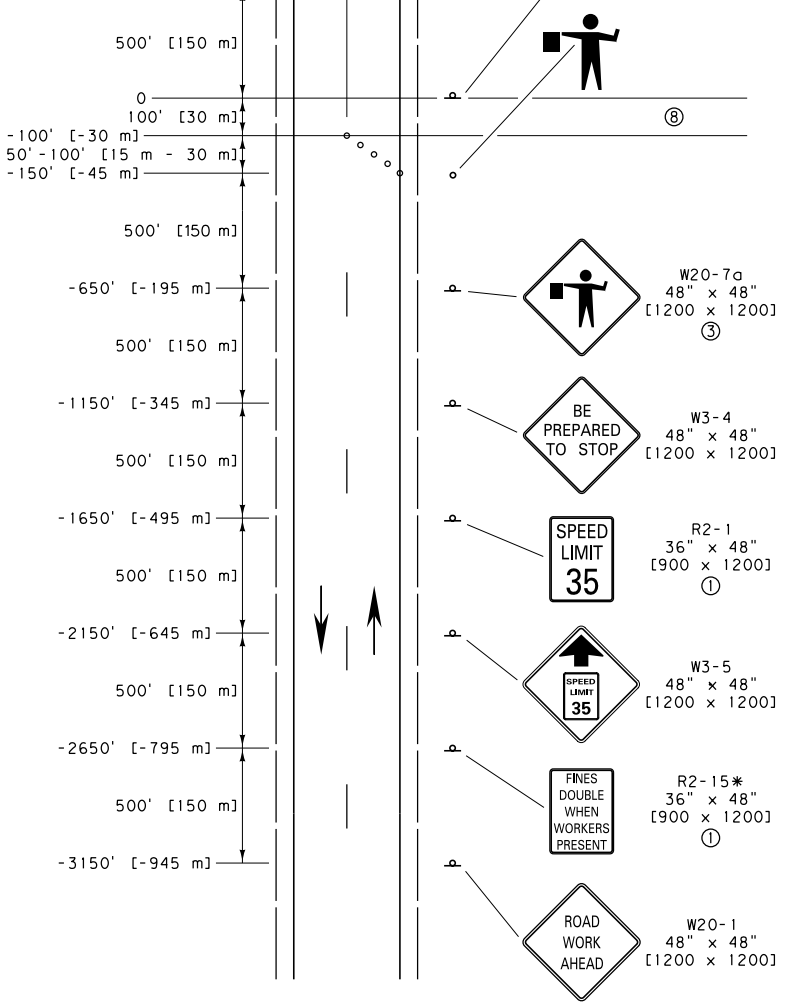


UNITS SHOWN IN BRACKETS [] ARE METRIC AND ARE IN MILLIMETERS (mm) UNLESS OTHER UNITS ARE SHOWN.

DETAILED DRAWING	
REFERENCE STANDARD SPEC. SECTION 618	DWG. NO. 618-M1
MAINTENANCE GUIDELINE FOR SHORT-TERM TWO-LANE CRACK SEALING WORK ZONE	



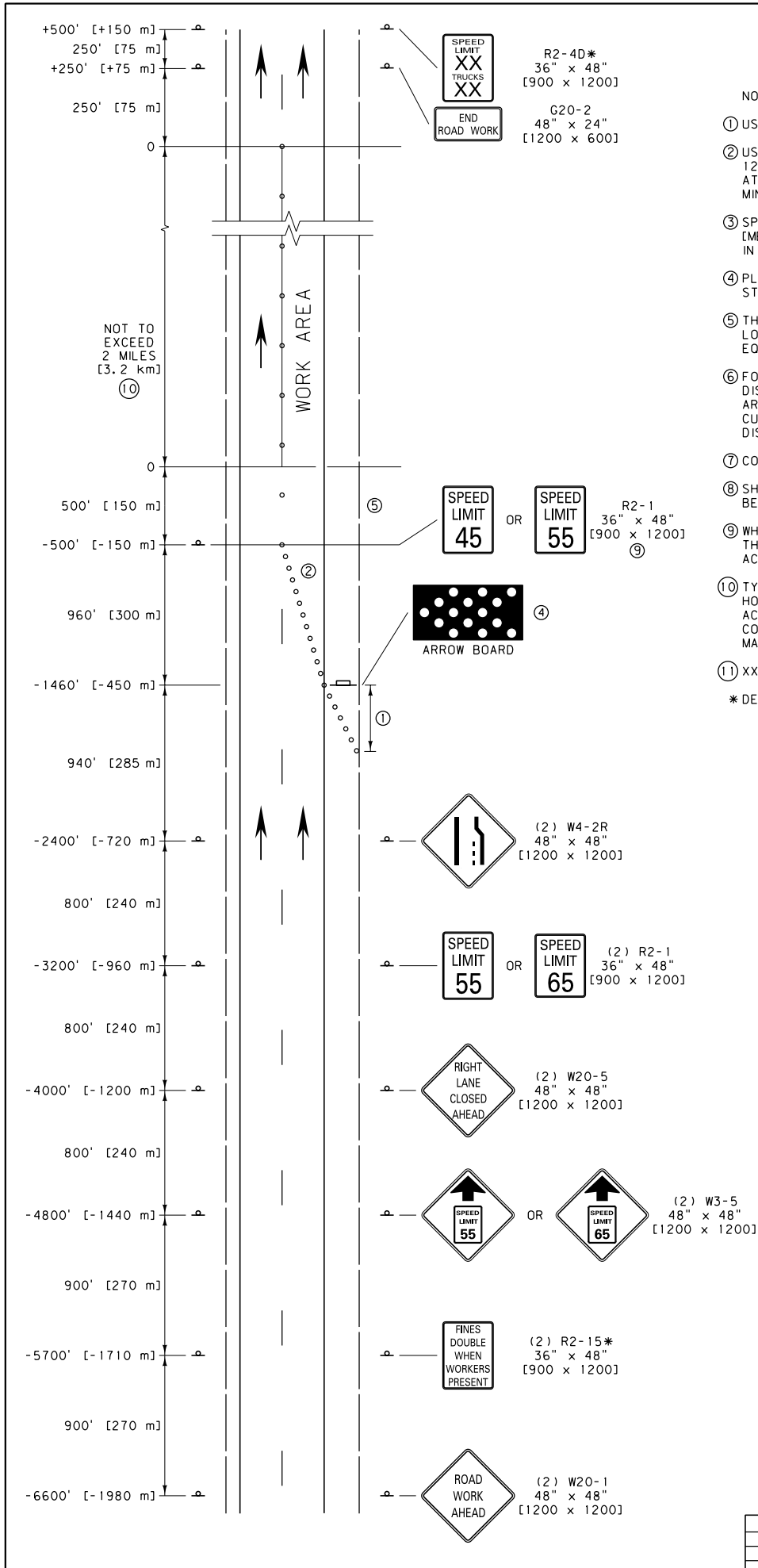
NOTE:
TO BE POSTED AT THE START OF THE WORK AREA AND REPEATED AT TWO-MILE [3.2 km] INTERVALS UNTIL THE SURFACE IS SWEEPED AND STRIPED.



- NOTES:
- ① MINIMUM REGULATORY SIGN SIZE IS 24" x 30" [600 x 750] ON TWO-LANE ROADS.
 - ② ON ROADWAYS WITH HIGH TRAFFIC VOLUMES OR VISIBILITY RESTRICTIONS, A 500' [150 m] SPACING FOR ALL SIGNS IS RECOMMENDED.
 - ③ IF A NEED ARISES TO INCREASE VEHICLE STORAGE, ADD AN ADDITIONAL W20-7a "FLAGGER AHEAD" SIGN BETWEEN THE R2-1 AND W3-4 SIGNS AND/OR CONSIDER AN ADDITIONAL ADVANCE FLAGGER.
 - ④ A MIRROR IMAGE OF THIS SIGN SEQUENCE IS REQUIRED FOR THE TRAFFIC FROM THE OPPOSITE DIRECTION.
 - ⑤ FOR MORE INFORMATION OR CLARIFICATION CONTACT THE DISTRICT TRAFFIC ENGINEER. FOR EXAMPLE, IF WORK ZONE IS CLOSE TO A HORIZONTAL CURVE, A VERTICAL CURVE, A BRIDGE, INTERCHANGE, POOR SIGHT DISTANCE OR OTHER SPECIAL CONDITION.
 - ⑥ COVER ANY CONFLICTING SIGNS IN THE WORK ZONE.
 - ⑦ SHORT-TERM WORK ZONE SIGNING IS NOT REQUIRED TO BE POST MOUNTED.
 - ⑧ THE BUFFER SPACE CAN BE LATERAL AND LONGITUDINAL AND MAY BE INCREASED FOR DOWNGRADES AND OTHER CONDITIONS THAT AFFECT STOPPING DISTANCE.
 - ⑨ XX = NORMAL POSTED SPEED LIMIT(S).
- * DENOTES SIGNS THAT ARE UNIQUE TO MONTANA.

UNITS SHOWN IN BRACKETS [] ARE METRIC AND ARE IN MILLIMETERS (mm) UNLESS OTHER UNITS ARE SHOWN.

DETAILED DRAWING	
REFERENCE STANDARD SPEC. SECTION 618	DWG. NO. 618-M2
MAINT. GUIDELINE FOR SHORT-TERM TWO-LANE CHIP SEAL & OVERLAY (PILOTED TRAFFIC)	

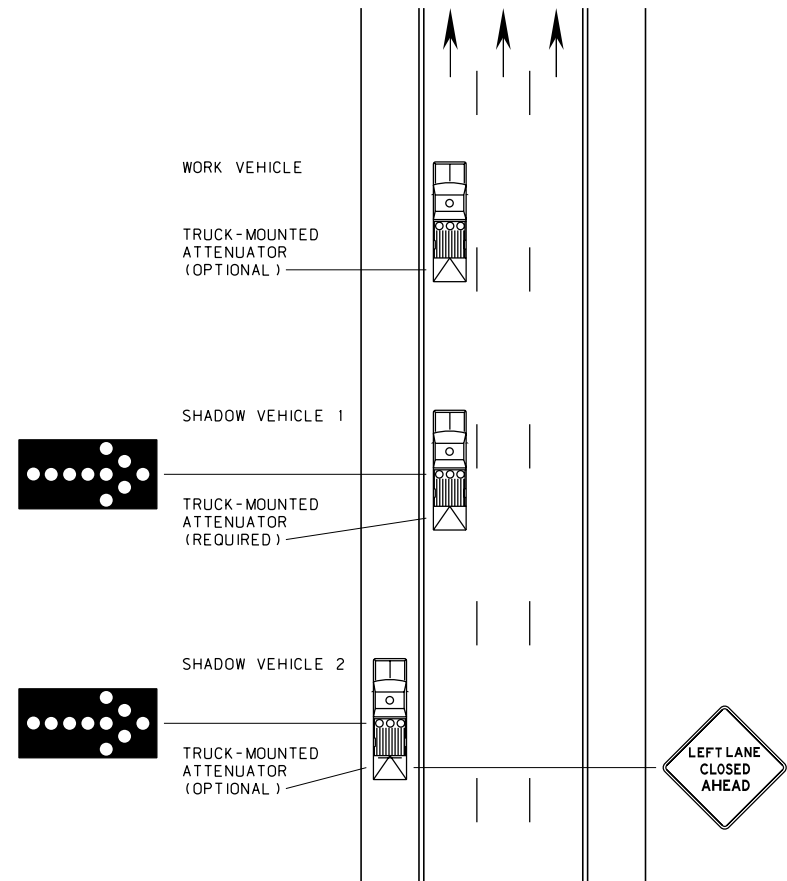


- NOTES:
- ① USE A MINIMUM 320' [100 m] SHOULDER TAPER.
 - ② USE THIRTEEN APPROVED CHANNELIZING DEVICES FOR A 12' [3.6 m] LANE CLOSURE TAPER (80 M.P.H. SPACED AT 80' [25 m].) ASSURE THAT THE TAPER IS A MINIMUM LENGTH OF 960' [300 m].
 - ③ SPACE CHANNELIZING DEVICES AT INTERVALS IN FEET [METERS] EQUAL TO TWICE [0.6 TIMES] THE SPEED LIMIT IN M.P.H. THROUGH THE BUFFER AND WORK AREA.
 - ④ PLACE THE ARROW BOARD ON THE SHOULDER AT THE START OF THE TRAVEL LANE CLOSURE TAPER.
 - ⑤ THE BUFFER SPACE CAN BE LATERAL AND LONGITUDINAL. KEEP THE BUFFER SPACE CLEAR OF EQUIPMENT AND PERSONNEL.
 - ⑥ FOR MORE INFORMATION OR CLARIFICATION CONTACT THE DISTRICT TRAFFIC ENGINEER. FOR EXAMPLE, IF WORK AREA IS CLOSE TO A HORIZONTAL CURVE, A VERTICAL CURVE, A BRIDGE, INTERCHANGE, POOR SIGHT DISTANCE OR OTHER SPECIAL CONDITION.
 - ⑦ COVER ANY CONFLICTING SIGNS IN THE WORK AREA.
 - ⑧ SHORT-TERM WORK ZONE SIGNING IS NOT REQUIRED TO BE POST MOUNTED.
 - ⑨ WHEN THE WORK AREA CHANGES WITHIN THE WORK ZONE, THESE SIGNS SHOULD BE MOVED TO REFLECT THE ACTUAL WORK AREA.
 - ⑩ TYPICALLY 2 MILES [3.2 km] IS THE MAX. WORK AREA. HOWEVER, WHEN SIGHT DISTANCE, BUFFER ZONES OR ACCOMPLISHMENT RATES FOR EQUIPMENT ARE CONSIDERED, SOME MINOR ADJUSTMENTS TO THIS MAX. MAY BE CONSIDERED.
 - ⑪ XX = NORMAL POSTED SPEED LIMIT(S).
- * DENOTES SIGNS THAT ARE UNIQUE TO MONTANA.

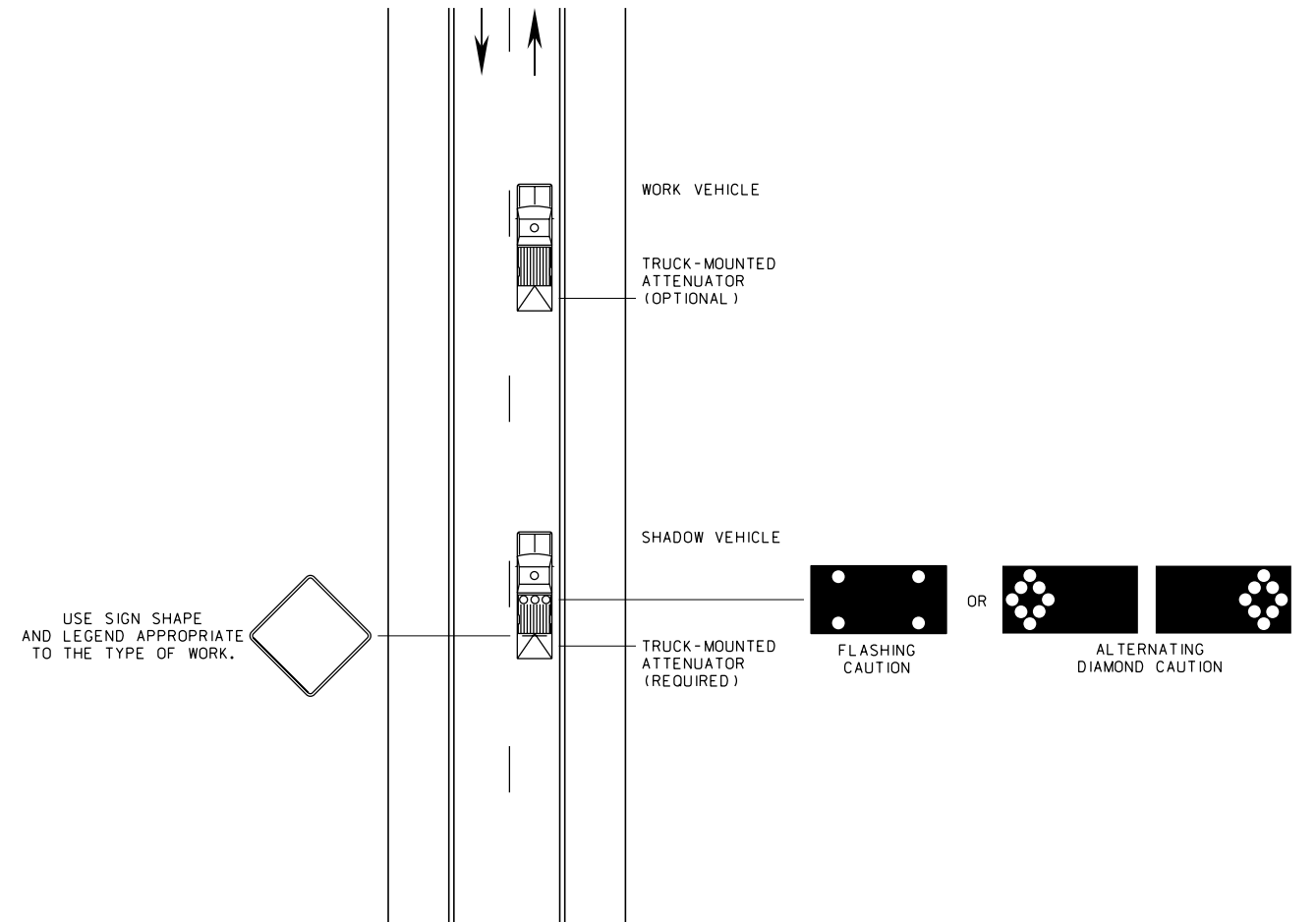
UNITS SHOWN IN BRACKETS [] ARE METRIC AND ARE IN MILLIMETERS (mm) UNLESS OTHER UNITS ARE SHOWN.

DETAILED DRAWING	
REFERENCE STANDARD SPEC. SECTION 618	DWG. NO. 618-M3
MAINTENANCE GUIDELINE FOR SHORT-TERM LANE CLOSURE ON INTERSTATE	

MOBILE OPERATIONS ON MULTILANE ROAD



MOBILE OPERATIONS ON TWO-LANE ROAD



NOTES:

- ① PLACE APPROPRIATE LANE CLOSURE SIGN ON SHADOW VEHICLE 2 SO AS NOT TO OBSCURE THE ARROW BOARD.
- ② FOLLOW THE WORK OPERATION WITH SHADOW VEHICLE 2 SO AS TO PROVIDE ADEQUATE SIGHT DISTANCE FOR VEHICULAR TRAFFIC APPROACHING FROM THE REAR.
- ③ COVER OR TURN THE SIGN LEGENDS ON VEHICLE-MOUNTED SIGNS FROM VIEW WHEN WORK IS NOT IN PROGRESS.
- ④ WHEN THE WORK VEHICLE OCCUPIES AN INTERIOR LANE OF A DIRECTIONAL ROADWAY HAVING A RIGHT SHOULDER 10 FEET [3 m] OR MORE IN WIDTH, DRIVE SHADOW VEHICLE 2 ALONG THE RIGHT-HAND SHOULDER WITH A SIGN INDICATING WORK IS TAKING PLACE IN THE INTERIOR LANE.
- ⑤ ON HIGH-SPEED ROADWAYS, A THIRD SHADOW VEHICLE MAY BE USED WITH SHADOW VEHICLE 1 IN THE CLOSED LANE, SHADOW VEHICLE 2 STRADDLING THE EDGE LINE, AND SHADOW VEHICLE 3 ON THE SHOULDER. WHERE ADEQUATE SHOULDER WIDTH IS NOT AVAILABLE, SHADOW VEHICLE 3 MAY ALSO STRADDLE THE EDGE LINE.
- ⑥ THE MINIMUM ARROW BOARD SIZE IS TYPE B, 60 INCHES X 30 INCHES [1500 X 750].
- ⑦ VARY THE DISTANCE BETWEEN THE WORK LOCATION AND SHADOW VEHICLE 2 TO PROVIDE ADEQUATE SIGHT DISTANCE FOR VEHICULAR TRAFFIC APPROACHING FROM THE REAR.
- ⑧ MAINTAIN A MINIMUM SPACING BETWEEN THE WORK VEHICLE AND SHADOW VEHICLES, AND BETWEEN EACH SHADOW VEHICLE TO DETER ROAD USERS FROM DRIVING IN BETWEEN.

NOTES:

- ① TRUCK-MOUNTED ATTENUATOR IS REQUIRED FOR SHADOW VEHICLE.
- ② EQUIP SHADOW VEHICLE WITH VEHICLE-MOUNTED SIGN. USE SIGN SHAPE AND LEGEND APPROPRIATE TO THE TYPE OF WORK.
- ③ MOUNT VEHICLE-MOUNTED SIGN IN A MANNER SO EQUIPMENT OR SUPPLIES DO NOT OBSCURE THE SIGN.
- ④ COVER OR TURN THE SIGN LEGENDS ON VEHICLE-MOUNTED SIGNS FROM VIEW WHEN WORK IS NOT IN PROGRESS.
- ⑤ WHENEVER ADEQUATE STOPPING SIGHT DISTANCE EXISTS TO THE REAR, MAINTAIN A MINIMUM DISTANCE FROM THE WORK VEHICLE WITH THE SHADOW VEHICLE AND PROCEED AT THE SAME SPEED.
- ⑥ SLOW DOWN THE SHADOW VEHICLE IN ADVANCE OF VERTICAL OR HORIZONTAL CURVES THAT RESTRICT SIGHT DISTANCE.

UNITS SHOWN IN BRACKETS [] ARE METRIC AND ARE IN MILLIMETERS (mm) UNLESS OTHER UNITS ARE SHOWN.

DETAILED DRAWING	
REFERENCE STANDARD SPEC. SECTION 618	DWG. NO. 618-M4

MOBILE OPERATIONS

--REVISED--
OCTOBER 2017

EFFECTIVE: SEPTEMBER 2014



POSTED SPEED LIMIT FOR WORK ZONE (M. P. H.)	SIGN SPACING (A)	SPACING OF CHANNELIZING DEVICES (MAX.) (G) **	BUFFER SPACE ③ (B)
25	100 [30]	25 [8]	50 [15]
35	100 [30]	35 [12]	100 [30]

** SPACE ALL CHANNELIZING DEVICES AT "G" UNLESS OTHERWISE NOTED.

NOTES:

- ① USE THIS SIGN LAYOUT IN URBAN APPLICATIONS ONLY. USE THE RURAL, OPEN ROADWAY SIGNING DETAILS WHEN HIGHER SPEED LIMITS ARE USED.
- ② INCLUDE SPEED LIMIT SIGNS ONLY IF THERE IS A REASON TO RESTRICT SPEED. COVER CONFLICTING EXISTING SPEED LIMIT SIGNS.
- ③ THE BUFFER SPACE MAY BE INCREASED FOR DOWNGRADES AND OTHER CONDITIONS THAT AFFECT STOPPING DISTANCE.
- ④ LARGER SIGN SIZES MAY BE APPROVED BY THE PROJECT MANAGER.
- ⑤ PLACE END ROADWORK SIGN AT END OF PROJECT LIMITS.
- ⑥ POST EXISTING SPEED LIMIT IF CHANGED BY WORK ZONE.
- ⑦ ENSURE THE AMBER LED FLASHERS MEET REQUIREMENTS OF SECTION 715 AND DTL. DWG. 618-01.

SIGN LAYOUT IDENTICAL TO OPPOSING TRAFFIC SIGN LAYOUT

R2-15*
24" x 30"
[600 x 750]



100' [30 m]



B



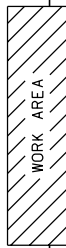
G20-2
36" x 18"
[900 x 450] ⑤

VARIES



R2-1
24" x 30"
[600 x 750] ⑥

50' [16 m] (12.5' [4 m] SPACING)



IF PEDESTRIAN TRAFFIC IS IMPACTED, SEE DTL. DWG. 618-U05

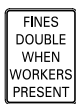
2G

B

50' [16 m] (12.5' [4 m] SPACING)



100' [30 m]



R2-15*
24" x 30"
[600 x 750]

R2-1
24" x 30"
[600 x 750] ⑥



VARIES



G20-2
36" x 18"
[900 x 450] ⑤

A

A

A

A

A



R2-1
24" x 30"
[600 x 750] ②



W20-7a
36" x 36"
[900 x 900]
WITH LED FLASHING AMBER LIGHTS
⑦



W20-4
36" x 36"
[900 x 900]



W20-1
36" x 36"
[900 x 900]

LEGEND

- - FLEXIBLE GUIDE POSTS
- - PLASTIC DRUMS
- * - DENOTES SIGNS THAT ARE UNIQUE TO MONTANA.
- XX - SPEED DETERMINED BY THE PROJECT MANAGER. (25 M. P. H. OR 35 M. P. H.)

UNITS SHOWN IN BRACKETS [] ARE METRIC AND ARE IN MILLIMETERS (mm) UNLESS OTHER UNITS ARE SHOWN.

DETAILED DRAWING

REFERENCE STANDARD SPEC. SECTION 618	DWG. NO. 618-U01
--------------------------------------	------------------

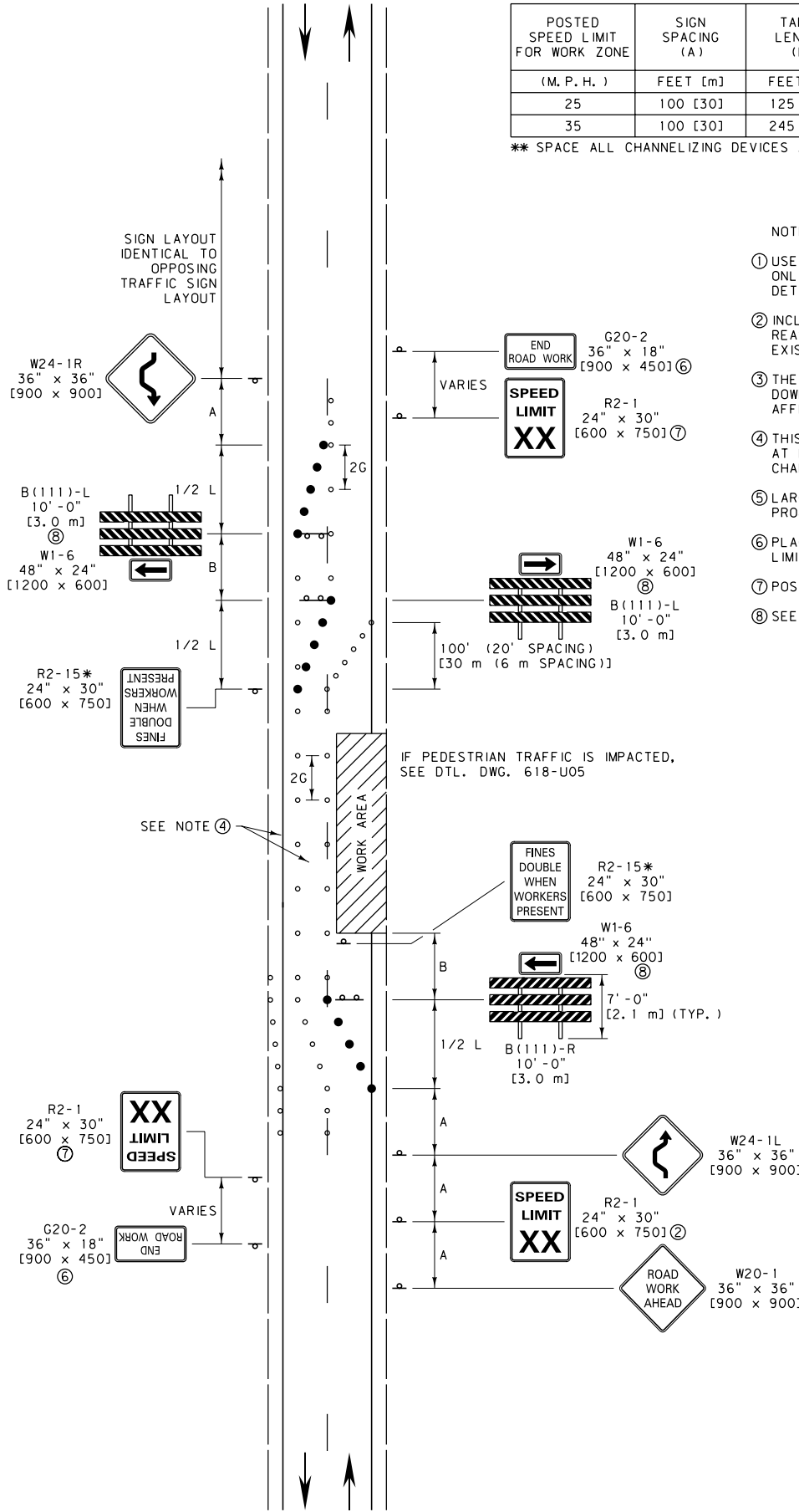
LANE CLOSURE-FLAGGER CONTROLLED (URBAN TWO LANE, TWO WAY ROAD)

POSTED SPEED LIMIT FOR WORK ZONE (M. P. H.)	SIGN SPACING (A) FEET [m]	TAPER LENGTH (L) FEET [m]	SPACING OF CHANNELIZING DEVICES (MAX.) (G) ** FEET [m]	BUFFER SPACE ③ (B) FEET [m]
25	100 [30]	125 [40]	25 [8]	50 [15]
35	100 [30]	245 [84]	35 [12]	100 [30]

** SPACE ALL CHANNELIZING DEVICES AT "G" UNLESS OTHERWISE NOTED.

NOTES:

- ① USE THIS SIGN LAYOUT IN URBAN APPLICATIONS ONLY. USE THE RURAL, OPEN ROADWAY SIGNING DETAILS WHEN HIGHER SPEED LIMITS ARE USED.
- ② INCLUDE SPEED LIMIT SIGNS ONLY IF THERE IS A REASON TO RESTRICT SPEED. COVER CONFLICTING EXISTING SPEED LIMIT SIGNS.
- ③ THE BUFFER SPACE MAY BE INCREASED FOR DOWNGRADES AND OTHER CONDITIONS THAT AFFECT STOPPING DISTANCE.
- ④ THIS LAYOUT SHOULD ONLY BE USED WHEN THERE IS AT LEAST 10' [3.0 m] IN WIDTH BETWEEN THE CHANNELIZING DEVICES AND THE EDGE OF PAVEMENT.
- ⑤ LARGER SIGN SIZES MAY BE APPROVED BY THE PROJECT MANAGER.
- ⑥ PLACE END ROAD WORK SIGNS AT END OF PROJECT LIMITS.
- ⑦ POST EXISTING SPEED LIMIT IF CHANGED BY WORK ZONE.
- ⑧ SEE DTL. DWG. 618-03.



LEGEND

- - FLEXIBLE GUIDE POSTS
- - PLASTIC DRUMS
- * - DENOTES SIGNS THAT ARE UNIQUE TO MONTANA.
- XX - SPEED DETERMINED BY THE PROJECT MANAGER. (25 M. P. H. OR 35 M. P. H.)

UNITS SHOWN IN BRACKETS [] ARE METRIC AND ARE IN MILLIMETERS (mm) UNLESS OTHER UNITS ARE SHOWN.

DETAILED DRAWING

REFERENCE STANDARD SPEC. SECTION 618	DWG. NO. 618-U02
WORK ZONE OCCUPIES ONE HALF OF ROAD (LOW SPEED URBAN TWO-LANE, TWO-WAY ROAD)	
EFFECTIVE: SEPTEMBER 2014	

--REVISED--
OCTOBER 2017

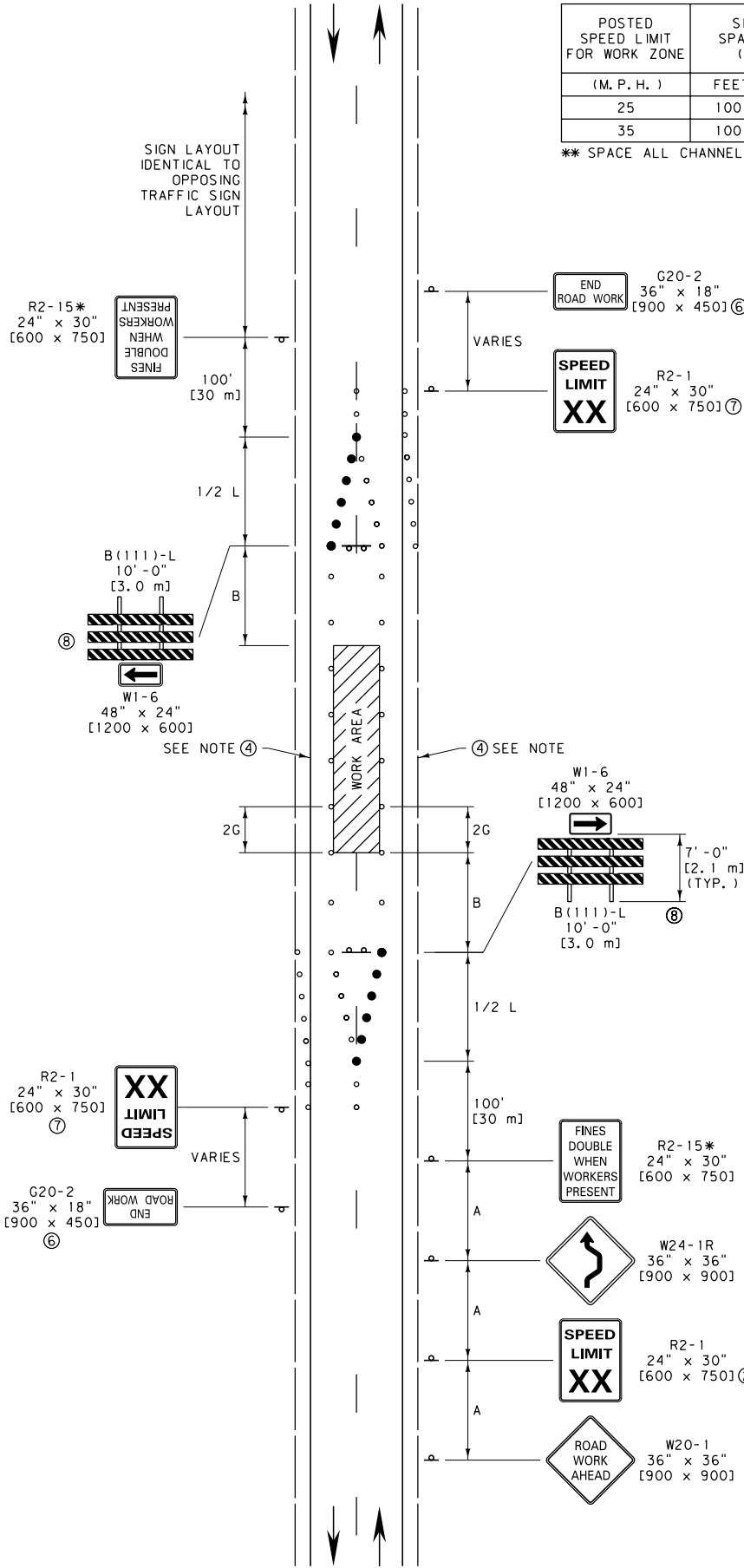
MDT MONTANA DEPARTMENT OF TRANSPORTATION

POSTED SPEED LIMIT FOR WORK ZONE	SIGN SPACING (A)	TAPER LENGTH (L)	SPACING OF CHANNELIZING DEVICES (MAX.) (G) **	BUFFER SPACE (B)
(M. P. H.)	FEET [m]	FEET [m]	FEET [m]	FEET [m]
25	100 [30]	125 [40]	25 [8]	50 [15]
35	100 [30]	245 [84]	35 [12]	100 [30]

** SPACE ALL CHANNELIZING DEVICES AT "G" UNLESS OTHERWISE NOTED.

NOTES:

- ① USE THIS SIGN LAYOUT IN URBAN APPLICATIONS ONLY. USE THE RURAL, OPEN ROADWAY SIGNING DETAILS WHEN HIGHER SPEED LIMITS ARE USED.
- ② INCLUDE SPEED LIMIT SIGNS ONLY IF THERE IS A REASON TO RESTRICT SPEED. COVER CONFLICTING EXISTING SPEED LIMIT SIGNS.
- ③ THE BUFFER SPACE MAY BE INCREASED FOR DOWNGRADES AND OTHER CONDITIONS THAT AFFECT STOPPING DISTANCE.
- ④ THIS LAYOUT SHOULD ONLY BE USED WHEN THERE IS AT LEAST 10' [3 m] IN WIDTH BETWEEN THE CHANNELIZING DEVICES AND THE EDGE OF PAVEMENT. PROVIDE NO PARKING SIGNS WHEN APPROPRIATE.
- ⑤ LARGER SIGNS MAY BE APPROVED BY THE PROJECT MANAGER.
- ⑥ PLACE END ROAD WORK SIGNS AT END OF PROJECT LIMITS.
- ⑦ POST EXISTING SPEED LIMIT IF CHANGED BY WORK ZONE.
- ⑧ SEE DTL. DWG. 608-03.



LEGEND

- - FLEXIBLE GUIDE POSTS
- - PLASTIC DRUMS
- * - DENOTES SIGNS THAT ARE UNIQUE TO MONTANA.
- XX - SPEED DETERMINED BY THE PROJECT MANAGER. (25 M. P. H. OR 35 M. P. H.)

UNITS SHOWN IN BRACKETS [] ARE METRIC AND ARE IN MILLIMETERS (mm) UNLESS OTHER UNITS ARE SHOWN.

DETAILED DRAWING	
REFERENCE STANDARD SPEC. SECTION 618	DWG. NO. 618-U03

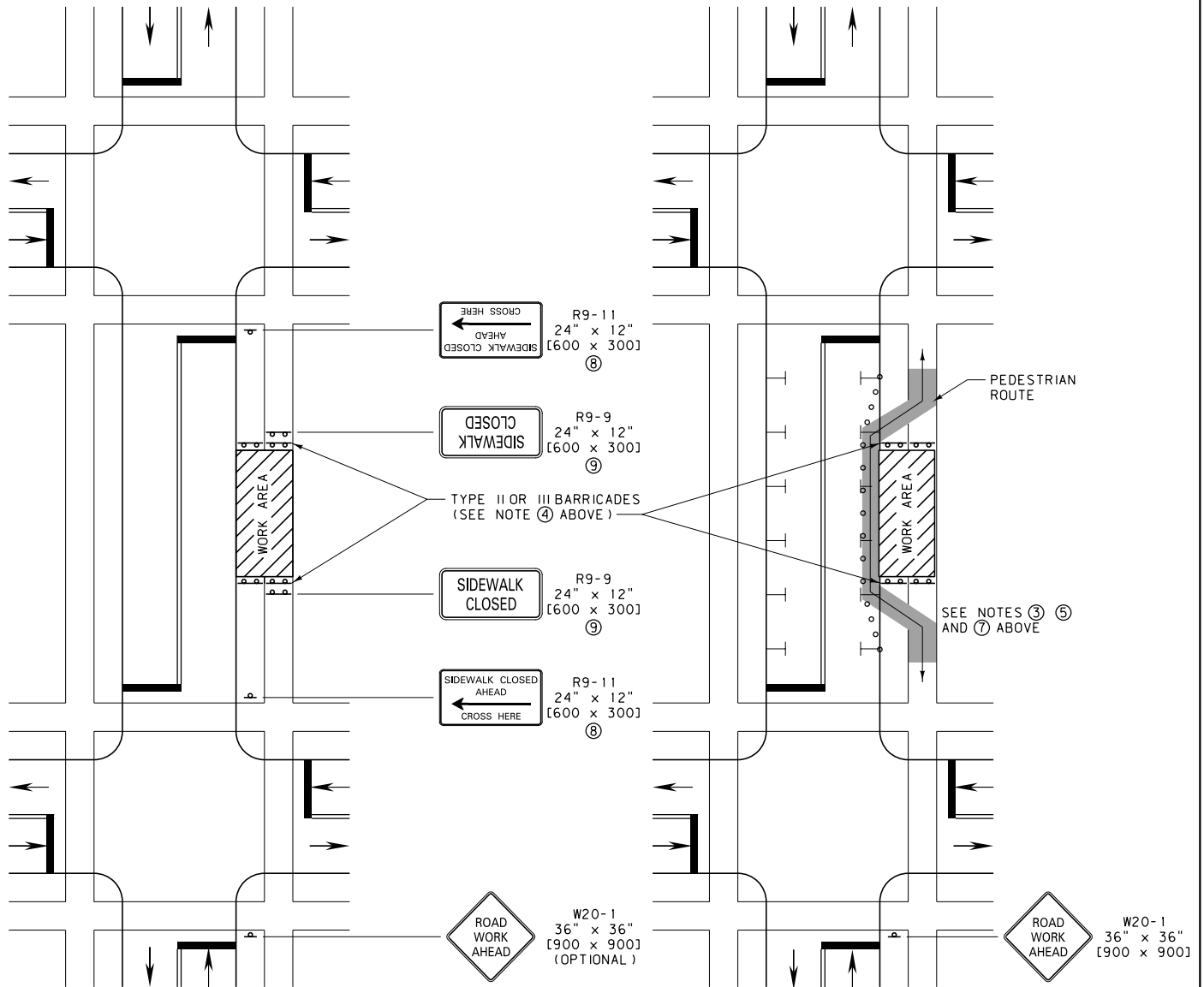
WORK ZONE IN CENTER OF ROAD (URBAN TWO-LANE, TWO-WAY ROAD)

NOTES:

- ① MINIMAL TRAFFIC CONTROL DEVICES CONTROLLING PEDESTRIAN FLOWS ARE SHOWN. OTHER DEVICES MAY BE NEEDED TO CONTROL TRAFFIC ON THE STREETS. USE THE APPROPRIATE PARKING LANE CLOSURE WHEN NEEDED.
- ② DO NOT DIRECT PEDESTRIANS INTO A LANE OF MOVING TRAFFIC.
- ③ WHERE SPEEDS EXCEED 25 M.P.H., PHYSICAL BARRIERS SHOULD BE USED TO SEPARATE THE TEMPORARY WALKWAY FROM VEHICULAR TRAFFIC. FLEXIBLE GUIDE POSTS WITH DETECTABLE EDGING IS THE MINIMUM REQUIREMENT FOR SEPARATION. PROVIDE LARGER PHYSICAL BARRIERS, AS DETERMINED BY THE PROJECT MANAGER, ON A CASE BY CASE BASIS.
- ④ SEE DTL. DWG. 618-03.
- ⑤ PROVIDE A PHYSICAL BARRIER, WITH A MINIMUM 6 INCH [150 mm] HEIGHT DETECTABLE EDGING, BETWEEN THE PEDESTRIAN DETOUR WALKWAY AND THE WORK AREA. PROVIDE LARGER PHYSICAL BARRIERS TO PROTECT PEDESTRIANS FROM HAZARDS IN THE WORK AREA, AS DETERMINED BY THE PROJECT MANAGER.
- ⑥ ENSURE THAT ENTIRE WALKWAY MEETS ADA REQUIREMENTS. PROVIDE A MINIMUM WALKWAY WIDTH OF 5 FEET [1525 mm] AND A FIRM, STABLE, SLIP RESISTANT WALKING SURFACE ALONG ENTIRE WALKWAY.
- ⑦ PROVIDE TEMPORARY RAMPS AND DETECTABLE EDGING (MINIMUM 6 INCH HEIGHT [150 mm] ON BOTH SIDES OF WALKWAY) ALONG TEMPORARY PEDESTRIAN DETOUR ROUTE. SEE MUTCD FOR ADDITIONAL GUIDANCE.
- ⑧ PLACE R9-11 ON SIGN POSTS (AS SHOWN BELOW) IF BUSINESS ACCESS IS REQUIRED. PLACE TYPE I BARRICADE ON SIDEWALK WITH R9-11 SIGN IF BUSINESS ACCESS IS NOT REQUIRED.
- ⑨ PLACE TYPE I BARRICADE ON SIDEWALK WITH R9-9 SIGN.

PEDESTRIAN DETOUR

BYPASS WALKWAY PROVIDED THROUGH WORK ZONE ⑥



LEGEND
 ○ - FLEXIBLE GUIDE POSTS

UNITS SHOWN IN BRACKETS [] ARE METRIC AND ARE IN MILLIMETERS (mm) UNLESS OTHER UNITS ARE SHOWN.

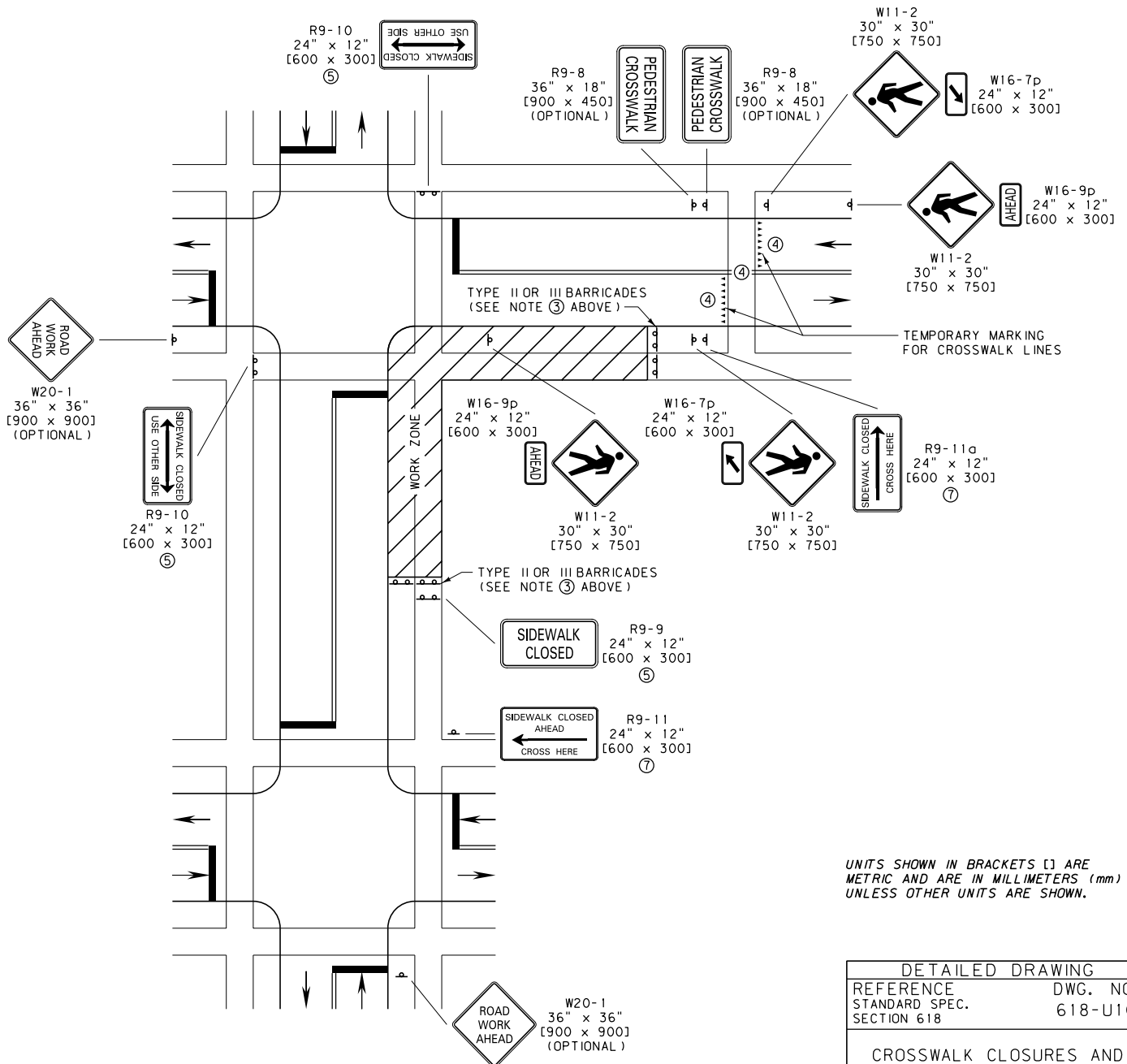
DETAILED DRAWING	
REFERENCE STANDARD SPEC. SECTION 618	DWG. NO. 618-U05

SIDEWALK CLOSURES AND BYPASS WALKWAY

--REVISED-- OCTOBER 2017	EFFECTIVE: SEPTEMBER 2014
MDT MONTANA DEPARTMENT OF TRANSPORTATION	

NOTES:

- ① COVER PEDESTRIAN TRAFFIC SIGNAL DISPLAYS CONTROLLING CLOSED CROSSWALKS.
- ② ONLY TRAFFIC CONTROL DEVICES CONTROLLING PEDESTRIAN FLOWS ARE SHOWN. OTHER DEVICES MAY BE NEEDED TO CONTROL TRAFFIC ON THE STREETS.
- ③ SEE DTL. DWG. 618-03.
- ④ WHEN POSSIBLE, USE THE EXISTING INTERSECTION CROSSWALKS FOR PEDESTRIAN DETOURS. AS A LAST OPTION, USE THE MID-BLOCK TEMPORARY PEDESTRIAN CROSSING SHOWN BELOW. FOR LONG-TERM STATIONARY WORK, THE DOUBLE YELLOW CENTERLINE AND/OR LANE LINES ARE REMOVED BETWEEN CROSSWALK LINES. PROVIDE A MINIMUM WALKWAY WIDTH OF 5 FEET ±1525 mm³ AND A FIRM, STABLE, SLIP RESISTANT WALKING SURFACE ACROSS BOULEVARDS AND OTHER AREAS ALONG THE TEMPORARY PEDESTRIAN WALKWAY. PROVIDE YIELD PAVEMENT MARKINGS AS SHOWN BELOW.
- ⑤ PLACE R9-9 AND R9-10 SIGNS ON TYPE I BARRICADES ON SIDEWALK.
- ⑥ PROVIDE TEMPORARY RAMPs FOR PEDESTRIAN CROSSWALK WHEN REQUIRED.
- ⑦ PLACE R9-11 AND R9-11a ON SIGN POSTS (AS SHOWN BELOW) IF BUSINESS ACCESS IS REQUIRED. PLACE TYPE I BARRICADE ON SIDEWALK WITH R9-11 OR R9-11a SIGN IF BUSINESS ACCESS IS NOT REQUIRED.

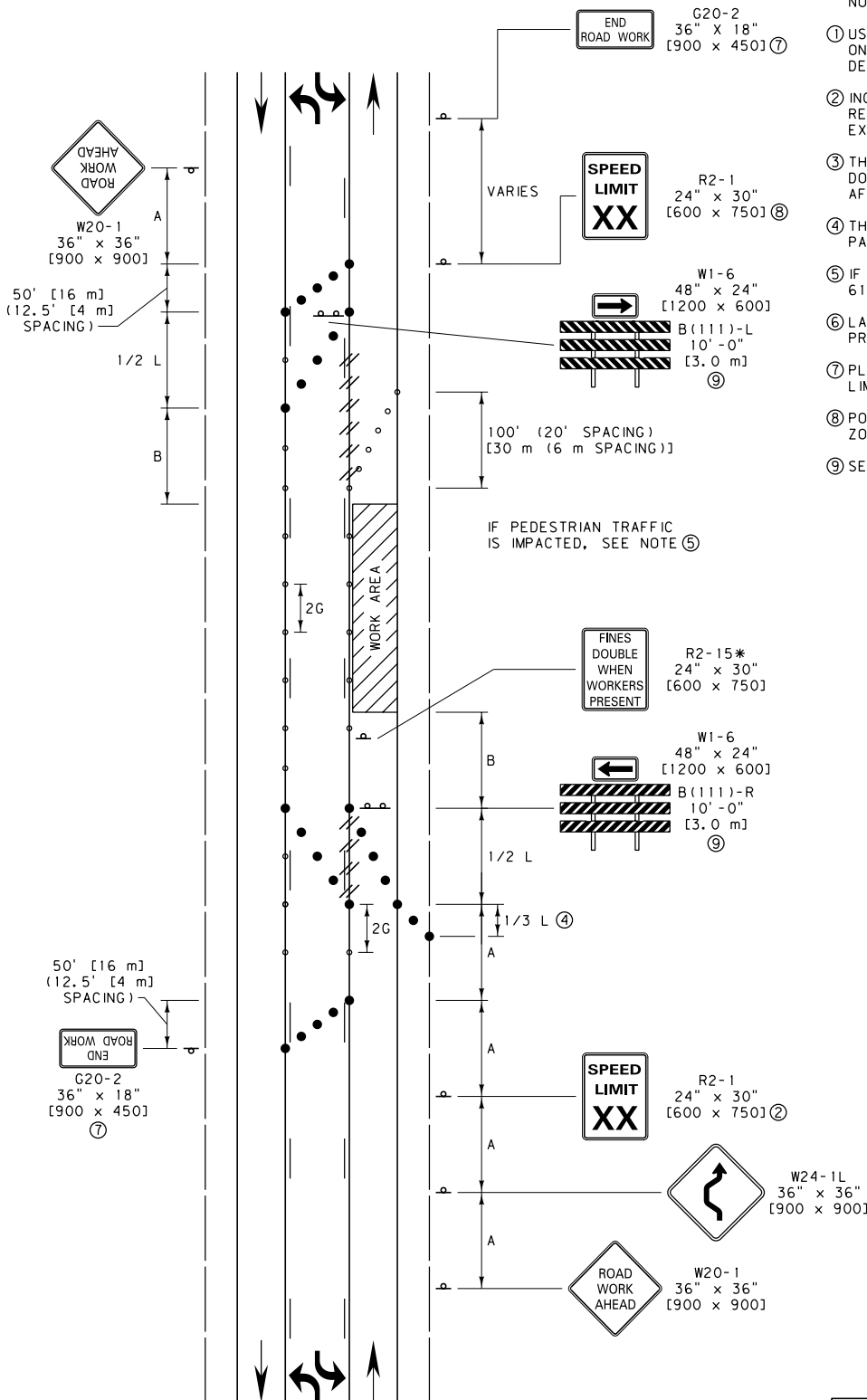


UNITS SHOWN IN BRACKETS [] ARE METRIC AND ARE IN MILLIMETERS (mm) UNLESS OTHER UNITS ARE SHOWN.

DETAILED DRAWING	
REFERENCE STANDARD SPEC. SECTION 618	DWG. NO. 618-U10
CROSSWALK CLOSURES AND PEDESTRIAN DETOURS	
EFFECTIVE: SEPTEMBER 2014	
-- REVISED -- OCTOBER 2017	
MDT MONTANA DEPARTMENT OF TRANSPORTATION	

POSTED SPEED LIMIT FOR WORK ZONE (M. P. H.)	SIGN SPACING (A)	TAPER LENGTH (L)	SPACING OF CHANNELIZING DEVICES (MAX.) (G) **	BUFFER SPACE ③ (B)
25	100 [30]	125 [40]	25 [8]	50 [15]
35	100 [30]	245 [84]	35 [12]	100 [30]

** SPACE ALL CHANNELIZING DEVICES AT "G" UNLESS OTHERWISE NOTED.



NOTES:

- ① USE THIS SIGN LAYOUT IN URBAN APPLICATIONS ONLY. USE THE RURAL, OPEN ROADWAY SIGNING DETAILS WHEN HIGHER SPEED LIMITS ARE USED.
- ② INCLUDE SPEED LIMIT SIGNS ONLY IF THERE IS A REASON TO RESTRICT SPEED. COVER OR REMOVE EXISTING CONFLICTING SIGNS.
- ③ THE BUFFER SPACE MAY BE INCREASED FOR DOWNGRADES AND OTHER CONDITIONS THAT AFFECT STOPPING DISTANCE.
- ④ THE SHOULDER TAPER MAY BE OMITTED WHEN THE PAVED SHOULDER IS LESS THAN 8' [2.4 m] IN WIDTH.
- ⑤ IF PEDESTRIAN TRAFFIC IS IMPACTED SEE DTL. DWG. 618-U05.
- ⑥ LARGER SIGN SIZES MAY BE APPROVED BY THE PROJECT MANAGER.
- ⑦ PLACE END ROAD WORK SIGNS AT END OF PROJECT LIMITS.
- ⑧ POST EXISTING SPEED LIMIT IF CHANGED BY WORK ZONE.
- ⑨ SEE DTL. DWG. 618-03.

LEGEND

- - FLEXIBLE GUIDE POSTS
- - PLASTIC DRUMS
- * - DENOTES SIGNS THAT ARE UNIQUE TO MONTANA.
- XX - SPEED DETERMINED BY THE PROJECT MANAGER. (25 M. P. H. OR 35 M. P. H.)
- // - OBLITERATE CONFLICTING PAVEMENT MARKINGS WHEN WORK OPERATION IS LONGER THAN 3 DAYS. (DO NOT REMOVE THERMOPLASTIC)

UNITS SHOWN IN BRACKETS [] ARE METRIC AND ARE IN MILLIMETERS (mm) UNLESS OTHER UNITS ARE SHOWN.

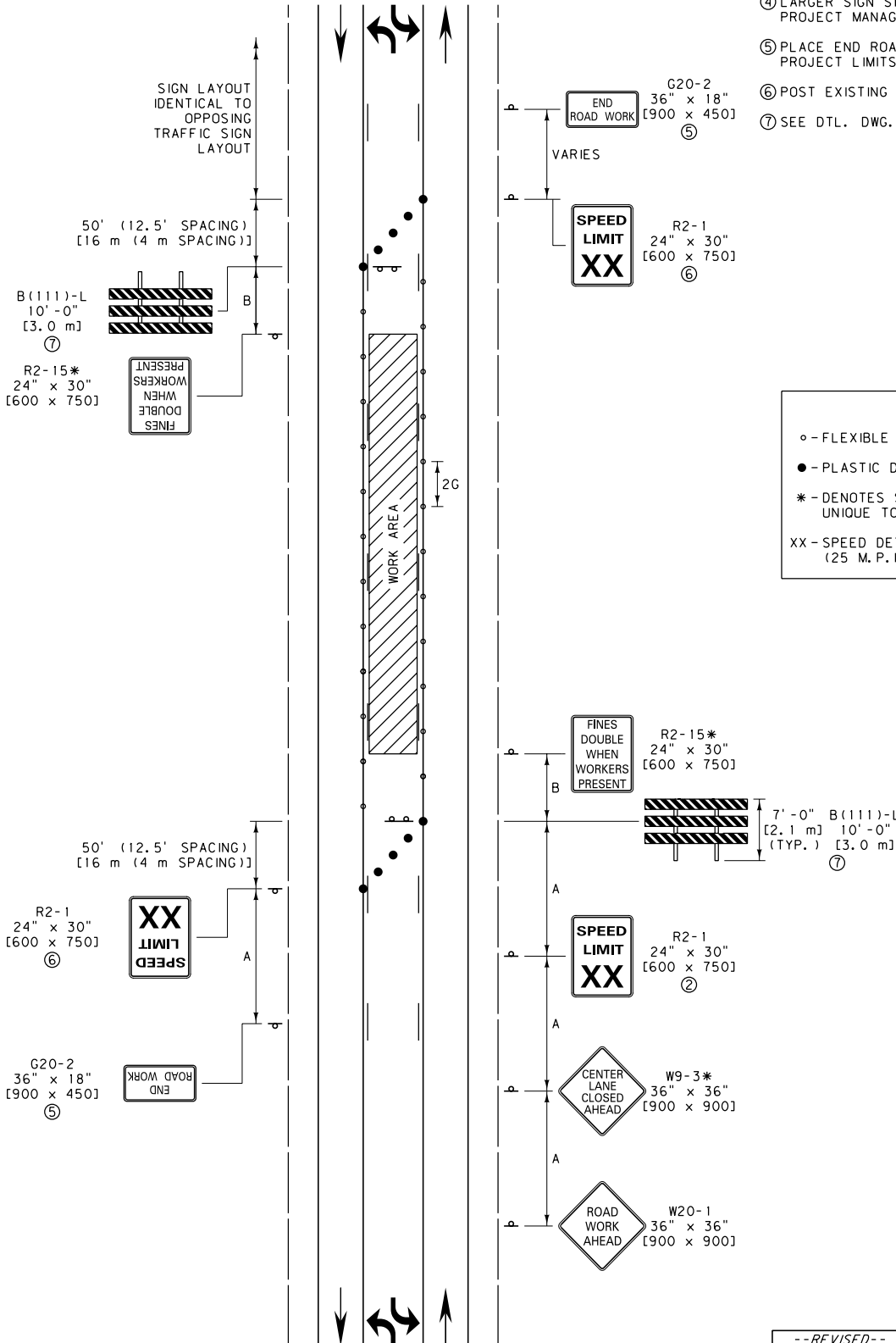
DETAILED DRAWING	
REFERENCE STANDARD SPEC. SECTION 618	DWG. NO. 618-U15
LANE CLOSURE (URBAN TWO-LANE, TWO-WAY ROAD WITH TWO-WAY LEFT TURN LANE)	

POSTED SPEED LIMIT FOR WORK ZONE	SIGN SPACING (A)	TAPER LENGTH (L)	SPACING OF CHANNELIZING DEVICES (MAX.) (G) **	BUFFER SPACE ③ (B)
(M. P. H.)	FEET [m]	FEET [m]	FEET [m]	FEET [m]
25	100 [30]	125 [40]	25 [8]	50 [15]
35	100 [30]	245 [84]	35 [12]	100 [30]

** SPACE ALL CHANNELIZING DEVICES AT "G" UNLESS OTHERWISE NOTED.

NOTES:

- ① USE THIS SIGN LAYOUT IN URBAN APPLICATIONS ONLY. USE THE RURAL, OPEN ROADWAY SIGNING DETAILS WHEN HIGHER SPEED LIMITS ARE USED.
- ② INCLUDE SPEED LIMIT SIGNS ONLY IF THERE IS A REASON TO RESTRICT SPEED. COVER OR REMOVE CONFLICTING EXISTING SPEED LIMIT SIGNS.
- ③ THE BUFFER SPACE MAY BE INCREASED FOR DOWNGRADES AND OTHER CONDITIONS THAT AFFECT STOPPING DISTANCE.
- ④ LARGER SIGN SIZES MAY BE APPROVED BY THE PROJECT MANAGER.
- ⑤ PLACE END ROAD WORK SIGNS AT END OF PROJECT LIMITS.
- ⑥ POST EXISTING SPEED LIMIT IF CHANGED BY WORK ZONE.
- ⑦ SEE DTL. DWG. 618-03.



LEGEND

- - FLEXIBLE GUIDE POSTS
- - PLASTIC DRUMS
- * - DENOTES SIGNS THAT ARE UNIQUE TO MONTANA.
- XX - SPEED DETERMINED BY THE PROJECT MANAGER. (25 M. P. H. OR 35 M. P. H.)

UNITS SHOWN IN BRACKETS [] ARE METRIC AND ARE IN MILLIMETERS (mm) UNLESS OTHER UNITS ARE SHOWN.

DETAILED DRAWING	
REFERENCE STANDARD SPEC. SECTION 618	DWG. NO. 618-U16
TURN LANE CLOSURE (URBAN TWO-LANE, TWO-WAY ROAD WITH TWO-WAY LEFT TURN LANE)	

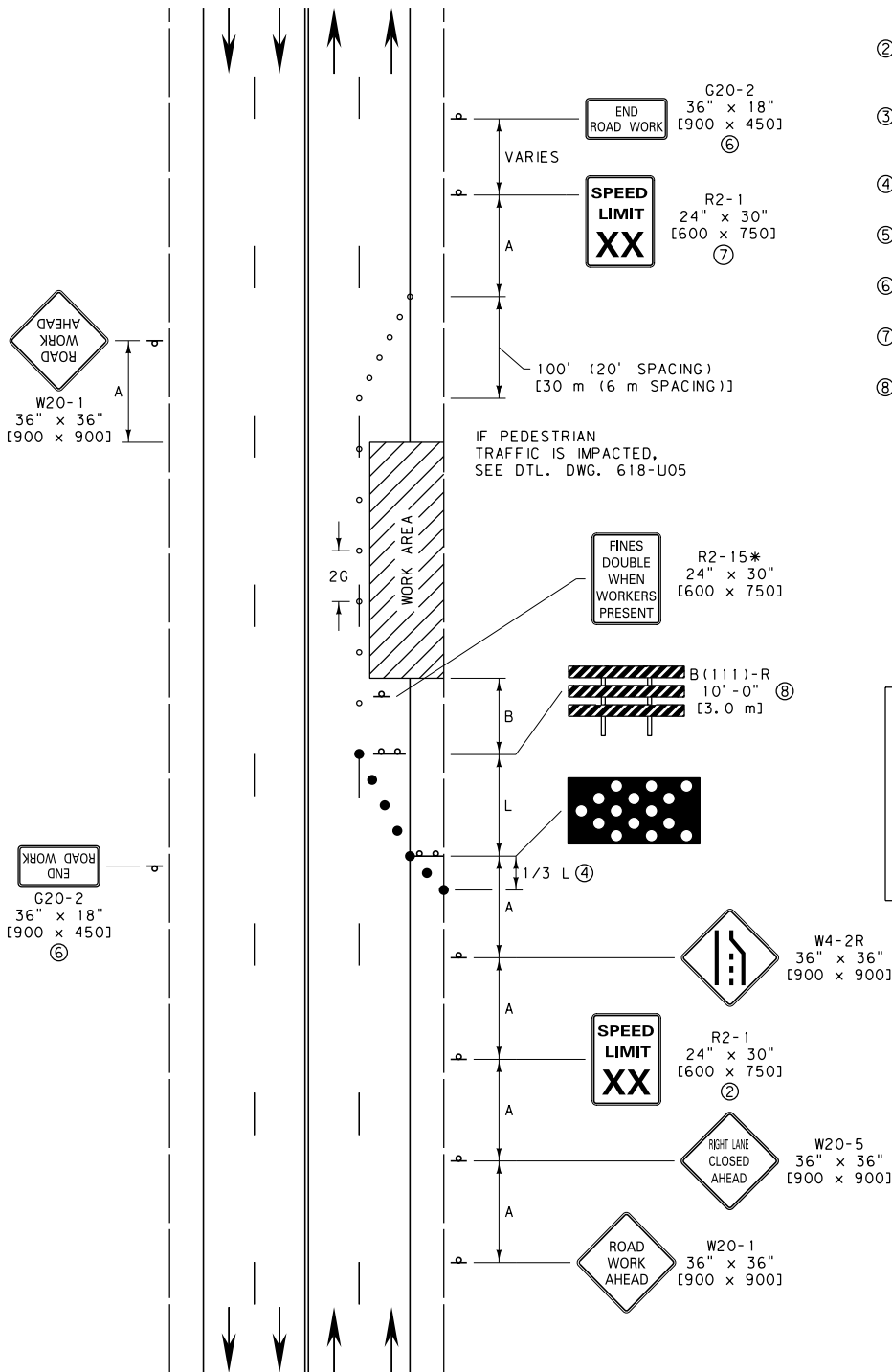
--REVISED--
OCTOBER 2017

POSTED SPEED LIMIT FOR WORK ZONE (M. P. H.)	SIGN SPACING (A) FEET [m]	TAPER LENGTH (L) FEET [m]	SPACING OF CHANNELIZING DEVICES (MAX.) (G) **	BUFFER SPACE ③ (B)
25	100 [30]	125 [40]	25 [8]	50 [15]
35	100 [30]	245 [84]	35 [12]	100 [30]

** SPACE ALL CHANNELIZING DEVICES AT "G" UNLESS OTHERWISE NOTED.

NOTES:

- ① USE THIS SIGN LAYOUT IN URBAN APPLICATIONS ONLY. USE THE RURAL, OPEN ROADWAY SIGNING DETAILS WHEN HIGHER SPEED LIMITS ARE USED.
- ② INCLUDE SPEED LIMIT SIGNS ONLY IF THERE IS A REASON TO RESTRICT SPEED. COVER OR REMOVE CONFLICTING EXISTING SPEED LIMIT SIGNS.
- ③ THE BUFFER SPACE MAY BE INCREASED FOR DOWNGRADES AND OTHER CONDITIONS THAT AFFECT STOPPING DISTANCE.
- ④ THE SHOULDER TAPER MAY BE OMITTED WHEN PAVED SHOULDER IS LESS THAN 8' [2.4 m] IN WIDTH.
- ⑤ LARGER SIGN SIZES MAY BE APPROVED BY THE PROJECT MANAGER.
- ⑥ PLACE END ROAD WORK SIGNS AT END OF PROJECT LIMITS.
- ⑦ POST EXISTING SPEED LIMIT IF CHANGED BY WORK ZONE.
- ⑧ SEE DTL. DWG. 618-03.



LEGEND

- - FLEXIBLE GUIDE POSTS
- - PLASTIC DRUMS
- * - DENOTES SIGNS THAT ARE UNIQUE TO MONTANA.
- XX - SPEED DETERMINED BY THE PROJECT MANAGER. (25 M. P. H. OR 35 M. P. H.)

UNITS SHOWN IN BRACKETS [] ARE METRIC AND ARE IN MILLIMETERS (mm) UNLESS OTHER UNITS ARE SHOWN.

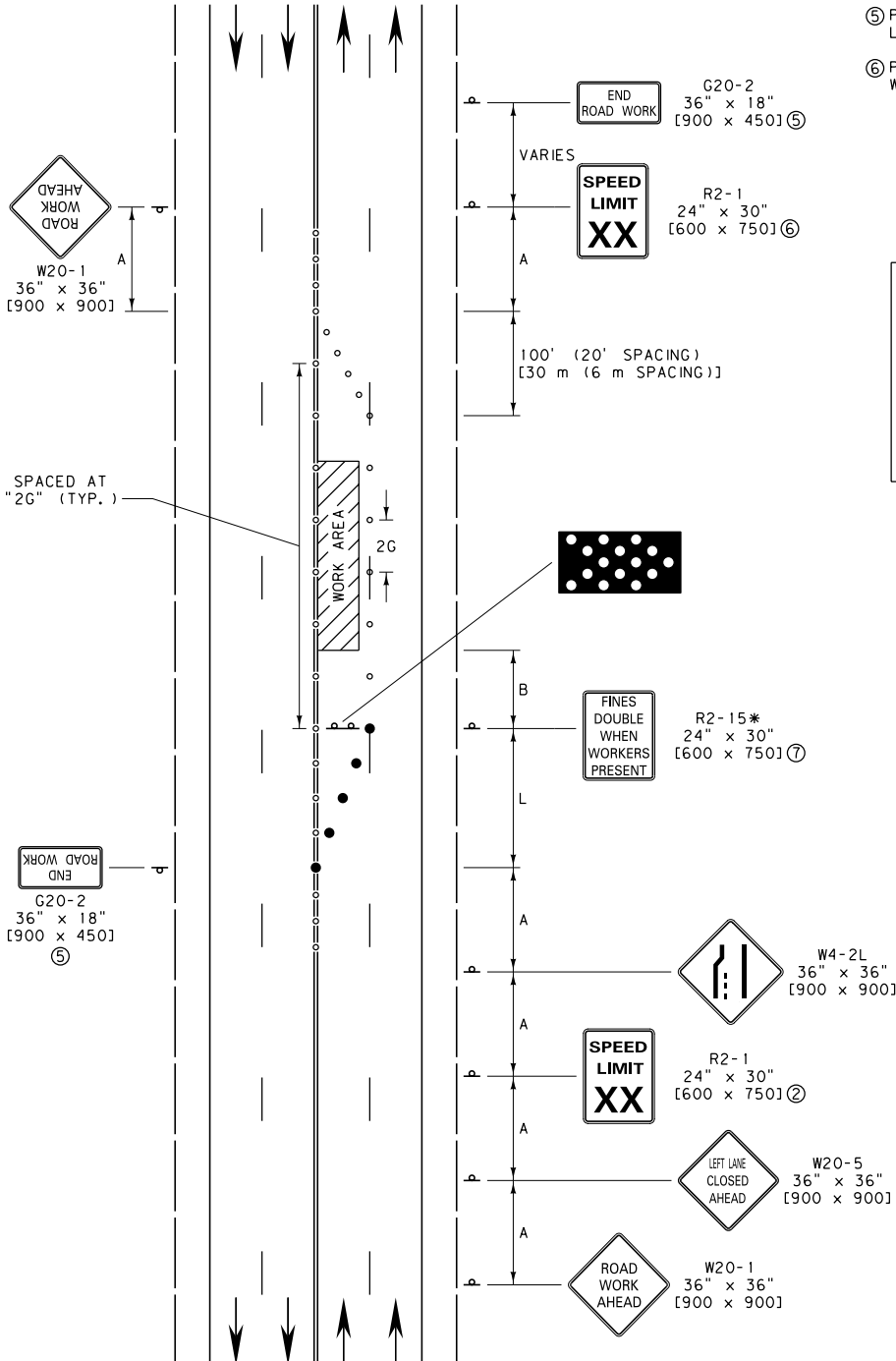
DETAILED DRAWING	
REFERENCE STANDARD SPEC. SECTION 618	DWG. NO. 618-U20
RIGHT LANE CLOSURE (URBAN MULTI-LANE, UNDIVIDED ROAD)	

POSTED SPEED LIMIT FOR WORK ZONE	SIGN SPACING (A)	TAPER LENGTH (L)	SPACING OF CHANNELIZING DEVICES (MAX.) (G) **	BUFFER SPACE (B) ③
(M. P. H.)	FEET [m]	FEET [m]	FEET [m]	FEET [m]
25	100 [30]	125 [40]	25 [8]	50 [15]
35	100 [30]	245 [84]	35 [12]	100 [30]

** SPACE ALL CHANNELIZING DEVICES AT "G" UNLESS OTHERWISE NOTED.

NOTES:

- ① USE THIS SIGN LAYOUT IN URBAN APPLICATIONS ONLY. USE THE RURAL, OPEN ROADWAY SIGNING DETAILS WHEN HIGHER SPEED LIMITS ARE USED.
- ② INCLUDE SPEED LIMIT SIGNS ONLY IF THERE IS A REASON TO RESTRICT SPEED. COVER OR REMOVE CONFLICTING EXISTING SPEED LIMIT SIGNS.
- ③ THE BUFFER SPACE MAY BE INCREASED FOR DOWNGRADES AND OTHER CONDITIONS THAT AFFECT STOPPING DISTANCE.
- ④ LARGER SIGN SIZES MAY BE APPROVED BY THE PROJECT MANAGER.
- ⑤ PLACE END ROAD WORK SIGN AT END OF PROJECT LIMITS.
- ⑥ POST EXISTING SPEED LIMIT IF CHANGED BY WORK ZONE.



LEGEND

- - FLEXIBLE GUIDE POSTS
- - PLASTIC DRUMS
- * - DENOTES SIGNS THAT ARE UNIQUE TO MONTANA.

XX - SPEED DETERMINED BY THE PROJECT MANAGER. (25 M. P. H. OR 35 M. P. H.)

UNITS SHOWN IN BRACKETS [] ARE METRIC AND ARE IN MILLIMETERS (mm) UNLESS OTHER UNITS ARE SHOWN.

DETAILED DRAWING	
REFERENCE STANDARD SPEC. SECTION 618	DWG. NO. 618-U25

LEFT LANE CLOSURE
(LOW SPEED URBAN
MULTI-LANE, UNDIVIDED ROAD)

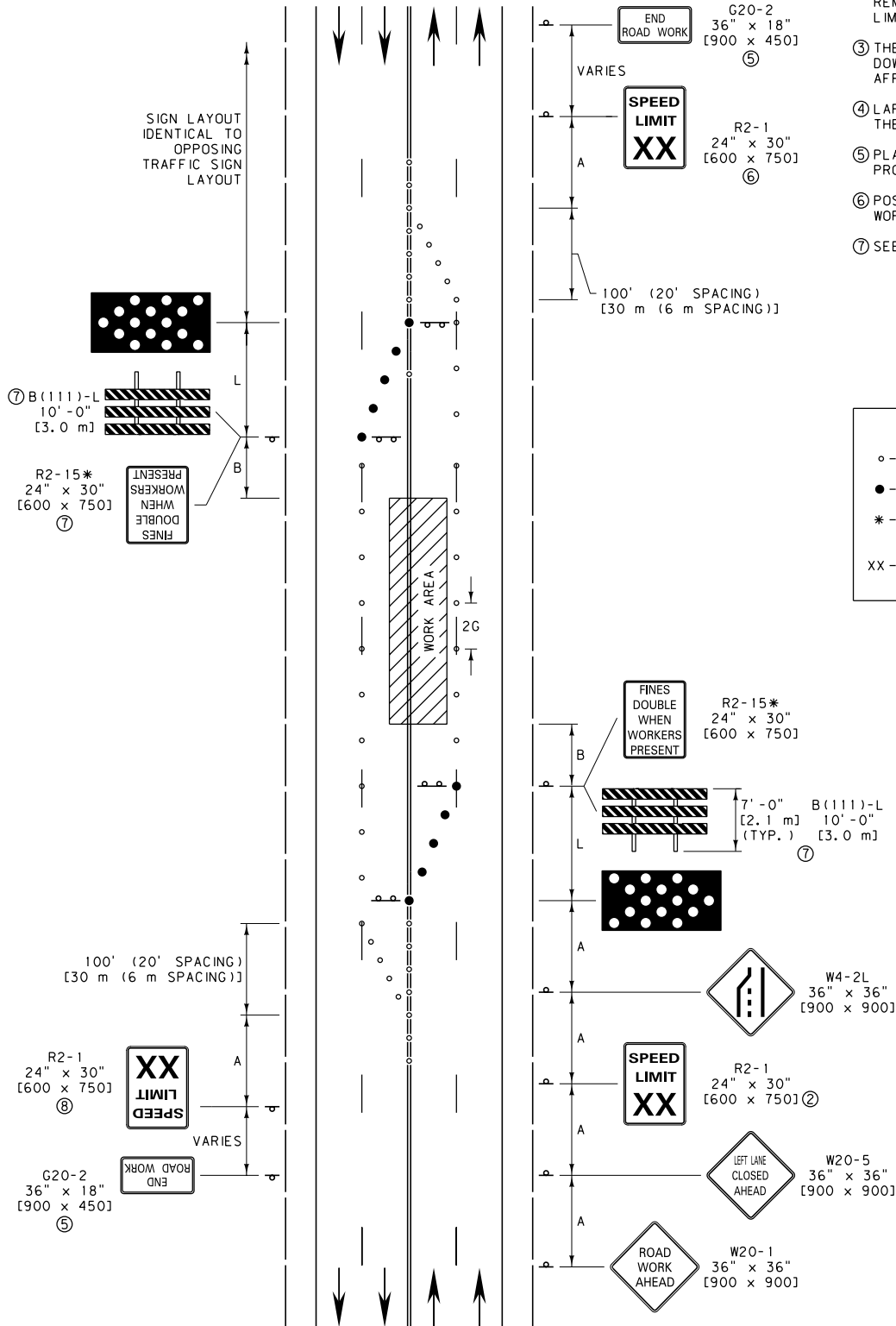
--REVISED--
OCTOBER 2017

POSTED SPEED LIMIT FOR WORK ZONE	SIGN SPACING (A)	TAPER LENGTH (L)	SPACING OF CHANNELIZING DEVICES (MAX.) (G) **	BUFFER SPACE ③ (B)
(M. P. H.)	FEET [m]	FEET [m]	FEET [m]	FEET [m]
25	100 [30]	125 [40]	25 [8]	50 [15]
35	100 [30]	245 [84]	35 [12]	100 [30]

** SPACE ALL CHANNELIZING DEVICES AT "G" UNLESS OTHERWISE NOTED.

NOTES:

- USE THIS SIGN LAYOUT IN URBAN APPLICATIONS ONLY. USE THE RURAL, OPEN ROADWAY SIGNING DETAILS WHEN HIGHER SPEED LIMITS ARE USED.
- INCLUDE SPEED LIMIT SIGNS ONLY IF THERE IS A REASON TO RESTRICT SPEED. COVER OR REMOVE CONFLICTING EXISTING SPEED LIMIT SIGNS.
- THE BUFFER SPACE MAY BE INCREASED FOR DOWNGRADES AND OTHER CONDITIONS THAT AFFECT STOPPING DISTANCE.
- LARGER SIGN SIZES MAY BE APPROVED BY THE PROJECT MANAGER.
- PLACE END ROAD WORK SIGNS AT END OF PROJECT LIMITS.
- POST EXISTING SPEED LIMIT IF CHANGED BY WORK ZONE.
- SEE DTL. DWG. 618-03.



LEGEND

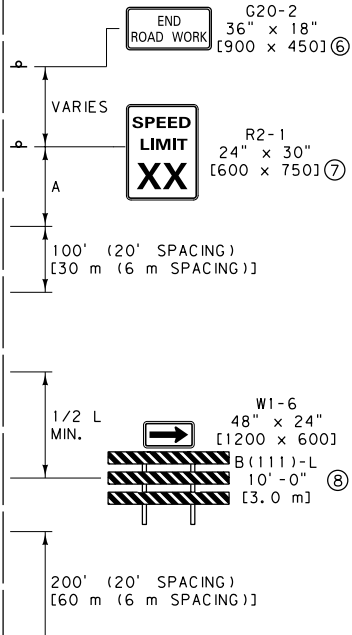
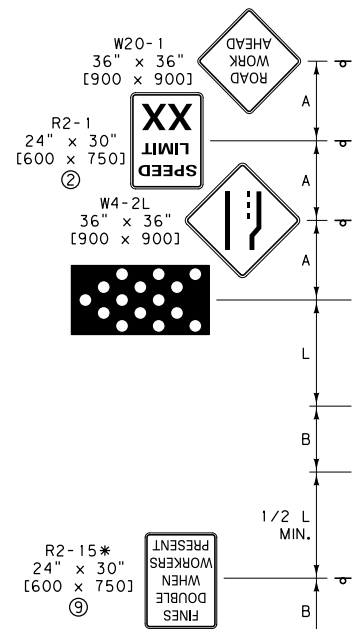
- - FLEXIBLE GUIDE POSTS
- - PLASTIC DRUMS
- * - DENOTES SIGNS THAT ARE UNIQUE TO MONTANA.
- XX - SPEED DETERMINED BY THE PROJECT MANAGER. (25 M.P.H. OR 35 M.P.H.)

UNITS SHOWN IN BRACKETS [] ARE METRIC AND ARE IN MILLIMETERS (mm) UNLESS OTHER UNITS ARE SHOWN.

DETAILED DRAWING	
REFERENCE STANDARD SPEC. SECTION 618	DWG. NO. 618-U30
LEFT LANE CLOSURES (LOW SPEED URBAN MULTI-LANE, UNDIVIDED ROAD)	

POSTED SPEED LIMIT FOR WORK ZONE (M. P. H.)	SIGN SPACING (A)	TAPER LENGTH (L)	SPACING OF CHANNELIZING DEVICES (MAX.) (G) **	BUFFER SPACE (B)
25	100 [30]	125 [40]	25 [8]	50 [15]
35	100 [30]	245 [84]	35 [12]	100 [30]

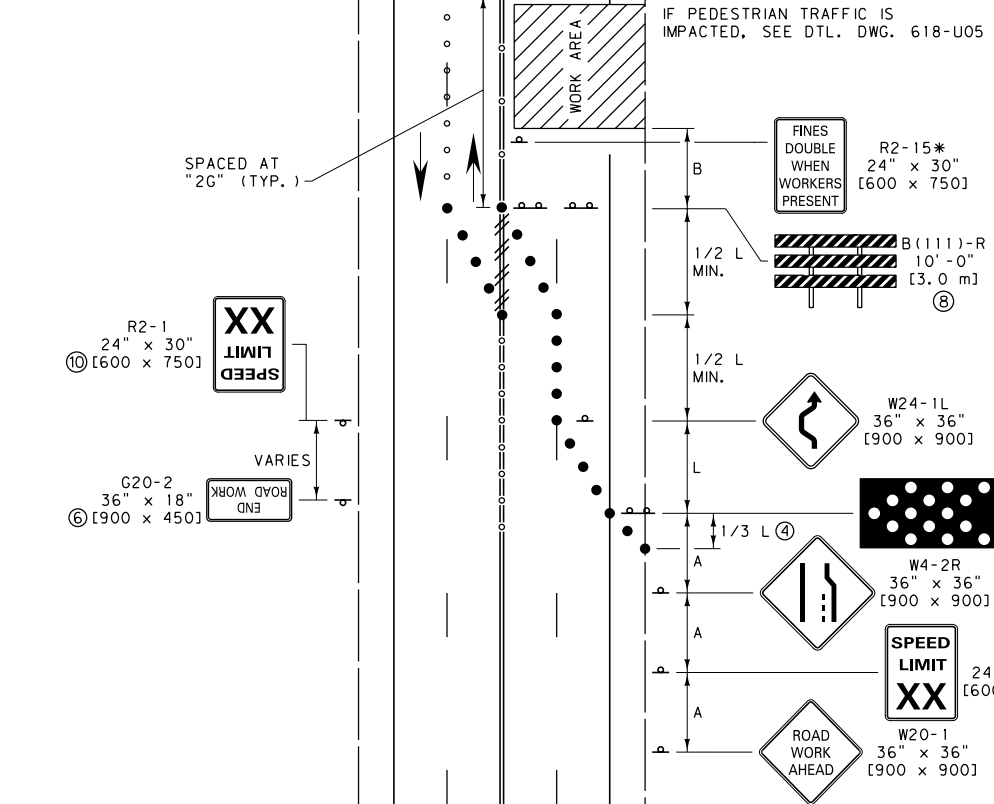
** SPACE ALL CHANNELIZING DEVICES AT "G" UNLESS OTHERWISE NOTED.



NOTES:

- ① USE THIS SIGN LAYOUT IN URBAN APPLICATIONS ONLY. USE THE RURAL, OPEN ROADWAY SIGNING DETAILS WHEN HIGHER SPEED LIMITS ARE USED.
- ② INCLUDE SPEED LIMIT SIGNS ONLY IF THERE IS A REASON TO RESTRICT SPEED. COVER OR REMOVE CONFLICTING EXISTING SPEED LIMIT SIGNS.
- ③ THE BUFFER SPACE MAY BE INCREASED FOR DOWNGRADES AND OTHER CONDITIONS THAT AFFECT STOPPING DISTANCE.
- ④ THE SHOULDER TAPER MAY BE OMITTED WHEN THE PAVED SHOULDER IS LESS THAN 8' ± 2.4 m³ IN WIDTH.
- ⑤ LARGER SIGN SIZES MAY BE APPROVED BY THE PROJECT MANAGER.
- ⑥ PLACE END ROAD WORK SIGNS AT END OF PROJECT LIMITS.
- ⑦ POST EXISTING SPEED LIMIT IF CHANGED BY WORK ZONE.
- ⑧ SEE DTL. DWG. 618-03.

IF PEDESTRIAN TRAFFIC IS IMPACTED, SEE DTL. DWG. 618-U05



LEGEND

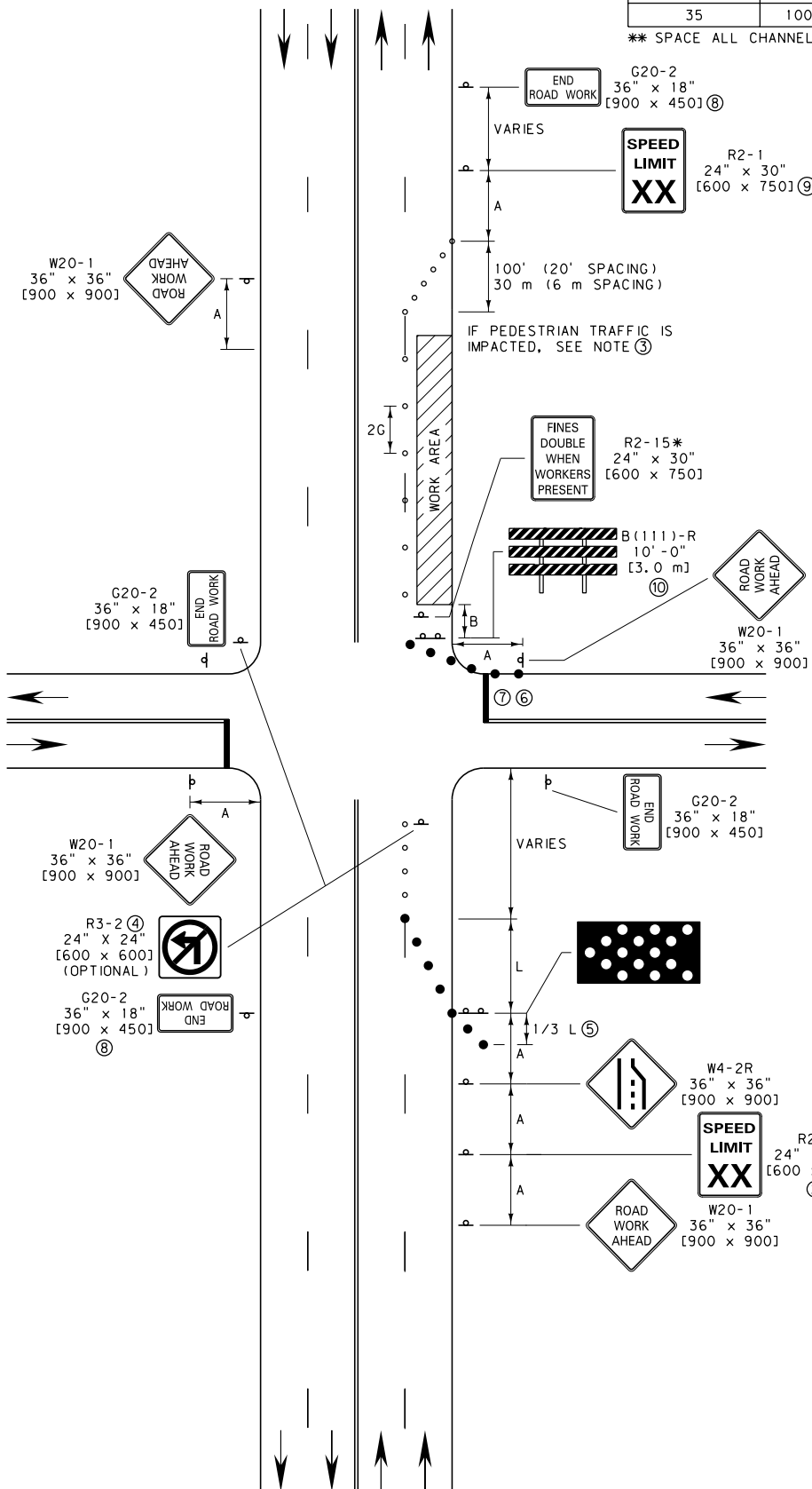
- - FLEXIBLE GUIDE POSTS
- - PLASTIC DRUMS
- * - DENOTES SIGNS THAT ARE UNIQUE TO MONTANA.
- XX - SPEED DETERMINED BY THE PROJECT MANAGER. (25 M. P. H. OR 35 M. P. H.)
- /// - OBLITERATE CONFLICTING PAVEMENT MARKINGS WHEN WORK OPERATION IS LONGER THAN 3 DAYS. (DO NOT REMOVE THERMOPLASTIC)

UNITS SHOWN IN BRACKETS [] ARE METRIC AND ARE IN MILLIMETERS (mm) UNLESS OTHER UNITS ARE SHOWN.

DETAILED DRAWING	
REFERENCE STANDARD SPEC. SECTION 618	DWG. NO. 618-U35
DOUBLE LANE CLOSURE (URBAN MULTI-LANE, UNDIVIDED ROAD)	

POSTED SPEED LIMIT FOR WORK ZONE (M. P. H.)	SIGN SPACING (A) FEET [m]	TAPER LENGTH (L) FEET [m]	SPACING OF CHANNELIZING DEVICES (MAX.) (G) **	BUFFER SPACE (B) FEET [m]
25	100 [30]	125 [40]	25 [8]	50 [15]
35	100 [30]	245 [84]	35 [12]	100 [30]

** SPACE ALL CHANNELIZING DEVICES AT "G" UNLESS OTHERWISE NOTED.



- NOTES:
- ① USE THIS SIGN LAYOUT IN URBAN APPLICATIONS ONLY. USE THE RURAL, OPEN ROADWAY SIGNING DETAILS WHEN HIGHER SPEED LIMITS ARE USED.
 - ② INCLUDE SPEED LIMIT SIGNS ONLY IF THERE IS A REASON TO RESTRICT SPEED. COVER OR REMOVE CONFLICTING EXISTING SPEED LIMIT SIGNS.
 - ③ IF PEDESTRIAN TRAFFIC IS IMPACTED BY THE WORK ZONE, USE THE INFORMATION AND DEVICES SHOWN IN DTL. DWG. 618-U05 AND 618-U10.
 - ④ LEFT TURNING MOVEMENTS MAY BE PROHIBITED TO MAINTAIN CAPACITY FOR THROUGH VEHICULAR TRAFFIC (UNLESS CONTROLLED BY TRAFFIC SIGNAL).
 - ⑤ INCLUDE A SHOULDER TAPER WHEN PAVED SHOULDER IS 8' [2.4 m] OR GREATER IN WIDTH OR WHEN A PARKING LANE IS PRESENT.
 - ⑥ IF LIMITED SIGHT DISTANCE FROM THIS APPROACH, CONSIDER RIGHT TURN ONLY OR CLOSING THE APPROACH.
 - ⑦ LARGER SIGN SIZES MAY BE APPROVED BY THE PROJECT MANAGER.
 - ⑧ PLACE END ROAD WORK SIGNS AT END OF PROJECT LIMITS.
 - ⑨ POST EXISTING SPEED LIMIT IF CHANGED BY WORK ZONE.
 - ⑩ SEE DTL. DWG. 618-03.
 - ⑪ THE BUFFER SPACE MAY BE INCREASED FOR DOWNGRADES AND OTHER CONDITIONS THAT AFFECT STOPPING DISTANCE.

LEGEND

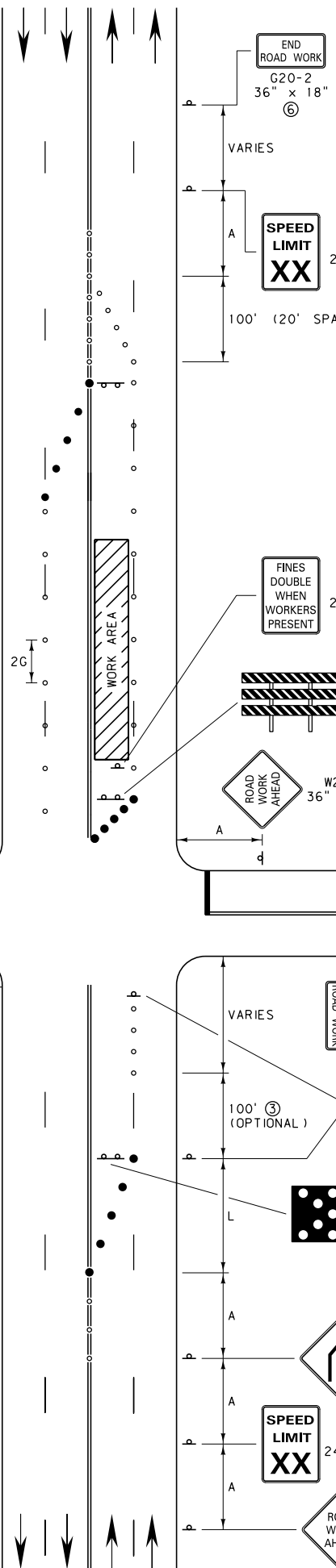
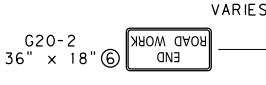
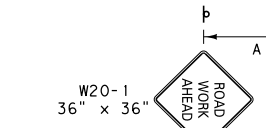
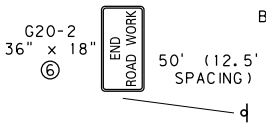
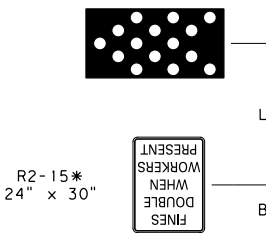
- - FLEXIBLE GUIDE POSTS
- - PLASTIC DRUMS
- * - DENOTES SIGNS THAT ARE UNIQUE TO MONTANA.
- XX - SPEED DETERMINED BY THE PROJECT MANAGER. (25 M.P.H. OR 35 M.P.H.)

UNITS SHOWN IN BRACKETS [] ARE METRIC AND ARE IN MILLIMETERS (mm) UNLESS OTHER UNITS ARE SHOWN.

DETAILED DRAWING	
REFERENCE STANDARD SPEC. SECTION 618	DWG. NO. 618-U40
RIGHT LANE CLOSURE-WORK AREA BEYOND INTERSECTION (URBAN MULTI-LANE, UNDIVIDED ROAD)	

LANE CLOSURE IS OPTIONAL WHEN THE CREW IS NOT AT THE WORK SITE.

SIGN LAYOUT IDENTICAL TO OPPOSING TRAFFIC SIGN LAYOUT



POSTED SPEED LIMIT FOR WORK ZONE (M. P. H.)	SIGN SPACING (A) FEET	TAPER LENGTH (L) FEET	SPACING OF CHANNELIZING DEVICES (MAX.) (G) ** FEET	BUFFER SPACE (B) FEET
25	100	125	25	50
35	100	245	35	100

** SPACE ALL CHANNELIZING DEVICES AT "G" UNLESS OTHERWISE NOTED.

- NOTES:
- USE THIS SIGN LAYOUT IN URBAN APPLICATIONS ONLY. USE THE RURAL, OPEN ROADWAY SIGNING DETAILS WHEN HIGHER SPEED LIMITS ARE USED.
 - INCLUDE SPEED LIMIT SIGNS ONLY IF THERE IS A REASON TO RESTRICT SPEED. COVER OR REMOVE CONFLICTING EXISTING SPEED LIMIT SIGNS.
 - NORMAL PROCEDURE IS TO COMPLETELY CLOSE THE LEFT LANE, BUT IF THE LEFT LANE HAS SIGNIFICANT LEFT-TURNING TRAFFIC, THE OPTION SHOWN MAY BE USED. ADJUST FLEXIBLE GUIDE POSTS TO ALLOW THE TURNING MOVEMENTS.
 - LARGER SIGN SIZES MAY BE APPROVED BY THE PROJECT MANAGER.
 - IF LIMITED SIGHT DISTANCE FROM EITHER APPROACH, CONSIDER RIGHT TURNS ONLY OR CLOSING EACH APPROACH WHEN CONDITIONS WARRANT.
 - PLACE END ROAD WORK SIGNS AT END OF PROJECT LIMITS.
 - POST EXISTING SPEED LIMIT IF CHANGED BY WORK ZONE.
 - SEE DTL. DWG. 618-03.
 - THE BUFFER SPACE MAY BE INCREASED FOR DOWNGRADES AND OTHER CONDITIONS THAT AFFECT STOPPING DISTANCE.

LEGEND

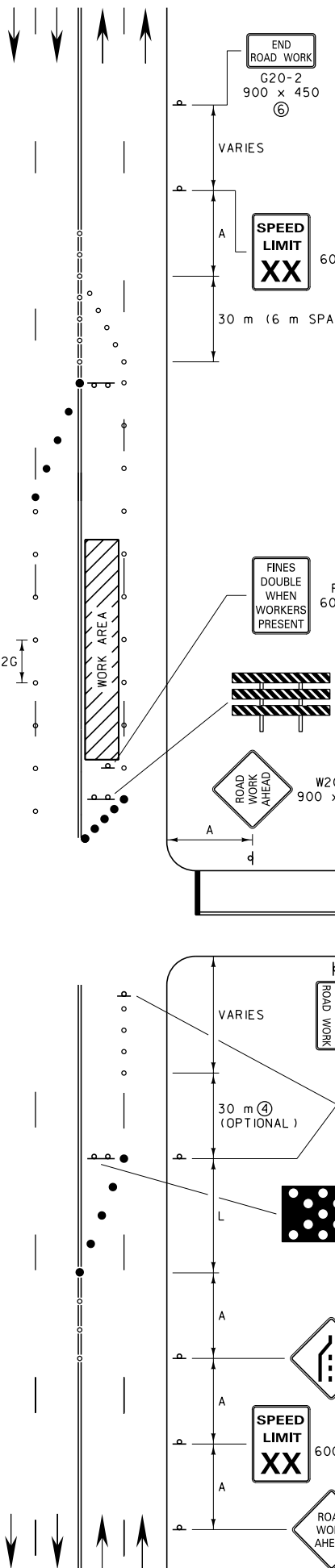
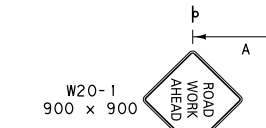
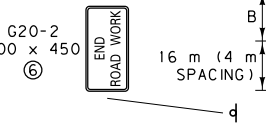
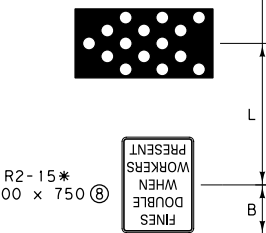
- - FLEXIBLE GUIDE POSTS
- - PLASTIC DRUMS
- * - DENOTES SIGNS THAT ARE UNIQUE TO MONTANA.
- XX - SPEED DETERMINED BY THE PROJECT MANAGER. (25 M.P.H. OR 35 M.P.H.)

R3-2 24" x 24" (OPTIONAL)

FOR INTERSECTION APPROACHES REDUCED TO A SINGLE LANE, LEFT TURNS MAY BE PROHIBITED TO MAINTAIN CAPACITY FOR THROUGH TRAFFIC. WHEN PROHIBITING A TURN, TWO TURN PROHIBITION SIGNS SHOULD BE USED, ONE ON THE NEAR SIDE AND, SPACE PERMITTING, ONE ON THE FAR SIDE OF THE INTERSECTION.

LANE CLOSURE IS OPTIONAL WHEN THE CREW IS NOT AT THE WORK SITE.

SIGN LAYOUT IDENTICAL TO OPPOSING TRAFFIC SIGN LAYOUT



POSTED SPEED LIMIT FOR WORK ZONE (M. P. H.)	SIGN SPACING (A) m	TAPER LENGTH (L) m	SPACING OF CHANNELIZING DEVICES (MAX.) (G) ** m	BUFFER SPACE (B) m
25	30	40	8	15
35	30	84	12	30

** SPACE ALL CHANNELIZING DEVICES AT "G" UNLESS OTHERWISE NOTED.

- NOTES:
- USE THIS SIGN LAYOUT IN URBAN APPLICATIONS ONLY. USE THE RURAL, OPEN ROADWAY SIGNING DETAILS WHEN HIGHER SPEED LIMITS ARE USED.
 - INCLUDE SPEED LIMIT SIGNS ONLY IF THERE IS A REASON TO RESTRICT SPEED. COVER OR REMOVE CONFLICTING EXISTING SPEED LIMIT SIGNS.
 - NORMAL PROCEDURE IS TO COMPLETELY CLOSE THE LEFT LANE, BUT IF THE LEFT LANE HAS SIGNIFICANT LEFT-TURNING TRAFFIC, THE OPTION SHOWN MAY BE USED. ADJUST FLEXIBLE GUIDE POSTS TO ALLOW THE TURNING MOVEMENTS.
 - LARGER SIGN SIZES MAY BE APPROVED BY THE PROJECT MANAGER.
 - IF LIMITED SIGHT DISTANCE FROM EITHER APPROACH, CONSIDER RIGHT TURNS ONLY OR CLOSING EACH APPROACH WHEN CONDITIONS WARRANT.
 - PLACE END ROAD WORK SIGNS AT END OF PROJECT LIMITS.
 - POST EXISTING SPEED LIMIT IF CHANGED BY WORK ZONE.
 - SEE DTL. DWG. 618-03.
 - THE BUFFER SPACE MAY BE INCREASED FOR DOWNGRADES AND OTHER CONDITIONS THAT AFFECT STOPPING DISTANCE.

LEGEND

- - FLEXIBLE GUIDE POSTS
- - PLASTIC DRUMS
- * - DENOTES SIGNS THAT ARE UNIQUE TO MONTANA.
- XX - SPEED DETERMINED BY THE PROJECT MANAGER. (25 M.P.H. OR 35 M.P.H.)

R3-2 600 x 600 (OPTIONAL)

FOR INTERSECTION APPROACHES REDUCED TO A SINGLE LANE, LEFT TURNS MAY BE PROHIBITED TO MAINTAIN CAPACITY FOR THROUGH TRAFFIC. WHEN PROHIBITING A TURN, TWO TURN PROHIBITION SIGNS SHOULD BE USED, ONE ON THE NEAR SIDE AND, SPACE PERMITTING, ONE ON THE FAR SIDE OF THE INTERSECTION.

ALL DIMENSIONS ARE MILLIMETERS (mm) UNLESS OTHERWISE NOTED.

DETAILED DRAWING

REFERENCE STANDARD SPEC. SECTION 618	DWG. NO. 618-U45
LEFT LANE CLOSURE-WORK AREA BEYOND INTERSECTION (URBAN MULTI-LANE, UNDIVIDED ROAD)	
--REVISED-- EFFECTIVE: SEPTEMBER 2014	
OCTOBER 2017	
MDT MONTANA DEPARTMENT OF TRANSPORTATION	

POSTED SPEED LIMIT FOR WORK ZONE (M.P.H.)	SIGN SPACING (A) FEET	TAPER LENGTH (L) FEET	SPACING OF CHANNELIZING DEVICES (MAX.) (G) ** FEET	BUFFER SPACE (B) FEET
25	100	40	25	50
35	100	84	35	100

** SPACE ALL CHANNELIZING DEVICES AT "G" UNLESS OTHERWISE NOTED.

NOTES:

- USE THIS SIGN LAYOUT IN URBAN APPLICATIONS ONLY. USE THE RURAL, OPEN ROADWAY SIGNING DETAILS WHEN HIGHER SPEED LIMITS ARE USED.
- INCLUDE SPEED LIMIT SIGNS ONLY IF THERE IS A REASON TO RESTRICT SPEED. COVER OR REMOVE CONFLICTING EXISTING SPEED LIMIT SIGNS.
- THE BUFFER SPACE MAY BE INCREASED FOR DOWNGRADES AND OTHER CONDITIONS THAT AFFECT STOPPING DISTANCE.
- IF PEDESTRIAN TRAFFIC IS IMPACTED BY THE WORK ZONE, USE THE INFORMATION AND DEVICES SHOWN IN DTL. DWG. 618-U5 AND 618-U10.
- INCLUDE A SHOULDER TAPER WHEN PAVED SHOULDER IS 8' OR GREATER IN WIDTH OR WHEN A PARKING LANE IS PRESENT.
- KEEP RIGHT SIGNS MAY BE OMITTED IF THERE IS INSUFFICIENT SPACE TO PLACE THE BACK-TO-BACK KEEP RIGHT SIGN AND NO LEFT TURN SYMBOL SIGNS.
- IF LIMITED SIGHT DISTANCE FROM THIS APPROACH, CONSIDER RIGHT TURN ONLY OR CLOSING THE APPROACH.
- LARGER SIGN SIZES MAY BE APPROVED BY THE PROJECT MANAGER.
- PLACE END ROAD WORK SIGNS AT END OF PROJECT LIMITS.
- POST EXISTING SPEED LIMIT IF CHANGED BY WORK ZONE.
- SEE DTL. DWG. 618-03.

LEGEND

- - FLEXIBLE GUIDE POSTS
- - PLASTIC DRUMS
- * - DENOTES SIGNS THAT ARE UNIQUE TO MONTANA.
- XX - SPEED DETERMINED BY THE PROJECT MANAGER. (25 M.P.H. OR 35 M.P.H.)
- /// - OBLITERATE CONFLICTING PAVEMENT MARKINGS WHEN WORK OPERATION IS LONGER THAN 3 DAYS. (DO NOT REMOVE THERMOPLASTIC).



R3-2
24" x 24"
(OPTIONAL)

FOR INTERSECTION APPROACHES REDUCED TO A SINGLE LANE, LEFT TURNS MAY BE PROHIBITED TO MAINTAIN CAPACITY FOR THROUGH TRAFFIC. WHEN PROHIBITING A TURN, TWO TURN PROHIBITION SIGNS SHOULD BE USED, ONE ON THE NEAR SIDE AND, SPACE PERMITTING, ONE ON THE FAR SIDE OF THE INTERSECTION.

POSTED SPEED LIMIT FOR WORK ZONE (M.P.H.)	SIGN SPACING (A) m	TAPER LENGTH (L) m	SPACING OF CHANNELIZING DEVICES (MAX.) (G) ** m	BUFFER SPACE (B) m
25	30	40	8	15
35	30	84	12	30

** SPACE ALL CHANNELIZING DEVICES AT "G" UNLESS OTHERWISE NOTED.

NOTES:

- USE THIS SIGN LAYOUT IN URBAN APPLICATIONS ONLY. USE THE RURAL, OPEN ROADWAY SIGNING DETAILS WHEN HIGHER SPEED LIMITS ARE USED.
- INCLUDE SPEED LIMIT SIGNS ONLY IF THERE IS A REASON TO RESTRICT SPEED. COVER OR REMOVE CONFLICTING EXISTING SPEED LIMIT SIGNS.
- THE BUFFER SPACE MAY BE INCREASED FOR DOWNGRADES AND OTHER CONDITIONS THAT AFFECT STOPPING DISTANCE.
- IF PEDESTRIAN TRAFFIC IS IMPACTED BY THE WORK ZONE, USE THE INFORMATION AND DEVICES SHOWN IN DTL. DWG. 618-U5 AND 618-U10.
- INCLUDE A SHOULDER TAPER WHEN PAVED SHOULDER IS 2.4 m OR GREATER IN WIDTH OR WHEN A PARKING LANE IS PRESENT.
- KEEP RIGHT SIGNS MAY BE OMITTED IF THERE IS INSUFFICIENT SPACE TO PLACE THE BACK-TO-BACK KEEP RIGHT SIGN AND NO LEFT TURN SYMBOL SIGNS.
- IF LIMITED SIGHT DISTANCE FROM THIS APPROACH, CONSIDER RIGHT TURN ONLY OR CLOSING THE APPROACH.
- LARGER SIGN SIZES MAY BE APPROVED BY THE PROJECT MANAGER.
- PLACE END ROAD WORK SIGNS AT END OF PROJECT LIMITS.
- POST EXISTING SPEED LIMIT IF CHANGED BY WORK ZONE.
- SEE DTL. DWG. 618-03.

LEGEND

- - FLEXIBLE GUIDE POSTS
- - PLASTIC DRUMS
- * - DENOTES SIGNS THAT ARE UNIQUE TO MONTANA.
- XX - SPEED DETERMINED BY THE PROJECT MANAGER. (25 M.P.H. OR 35 M.P.H.)
- /// - OBLITERATE CONFLICTING PAVEMENT MARKINGS WHEN WORK OPERATION IS LONGER THAN 3 DAYS. (DO NOT REMOVE THERMOPLASTIC).



R3-2
600 x 600
(OPTIONAL)

FOR INTERSECTION APPROACHES REDUCED TO A SINGLE LANE, LEFT TURNS MAY BE PROHIBITED TO MAINTAIN CAPACITY FOR THROUGH TRAFFIC. WHEN PROHIBITING A TURN, TWO TURN PROHIBITION SIGNS SHOULD BE USED, ONE ON THE NEAR SIDE AND, SPACE PERMITTING, ONE ON THE FAR SIDE OF THE INTERSECTION.

DETAILED DRAWING

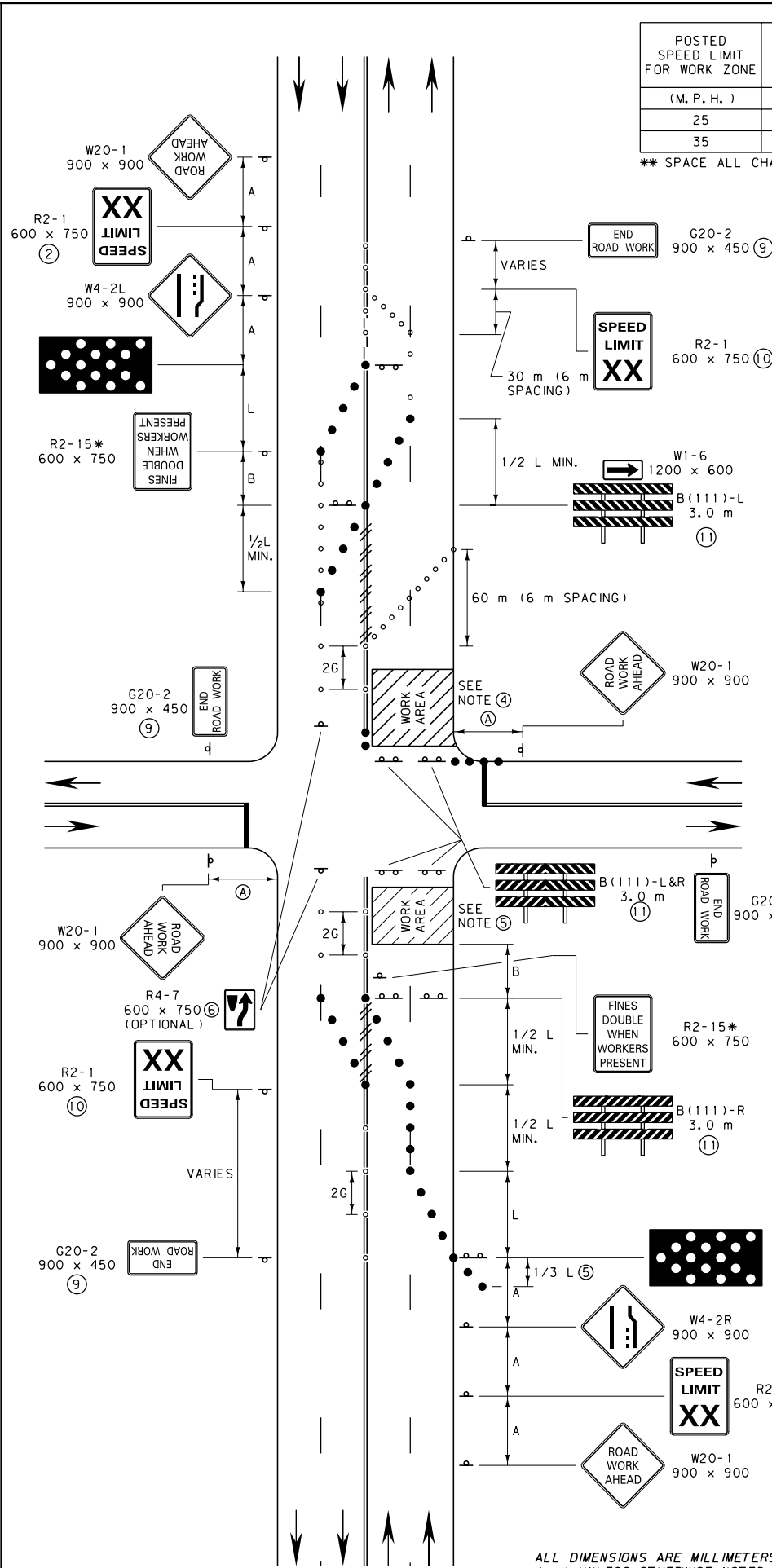
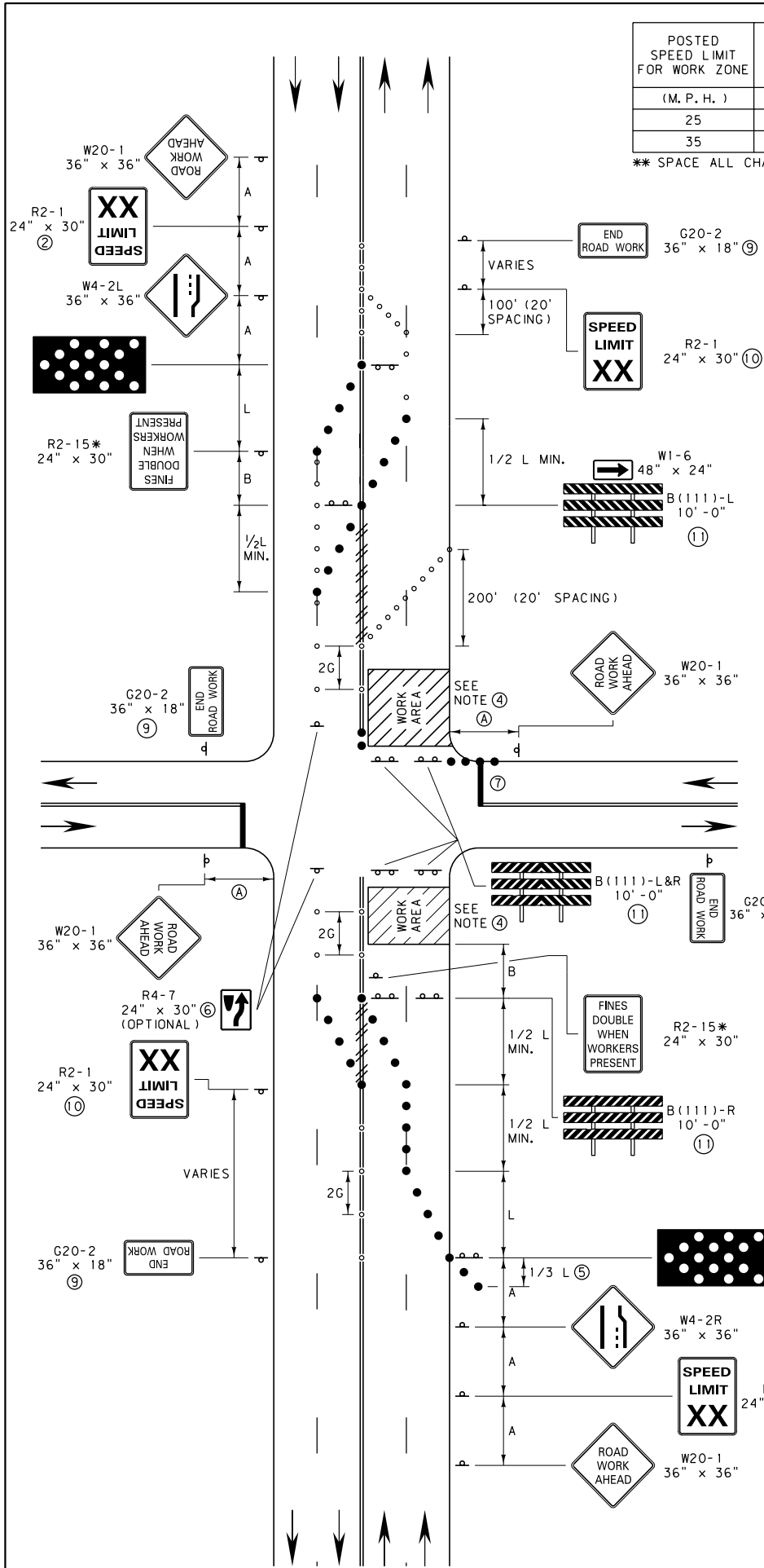
REFERENCE DWG. NO.
STANDARD SPEC. 618-U50
SECTION 618

DOUBLE LANE CLOSURE
AT INTERSECTION (URBAN
MULTI-LANE, UNDIVIDED ROAD)

--REVISED--
OCTOBER 2017

EFFECTIVE: SEPTEMBER 2014

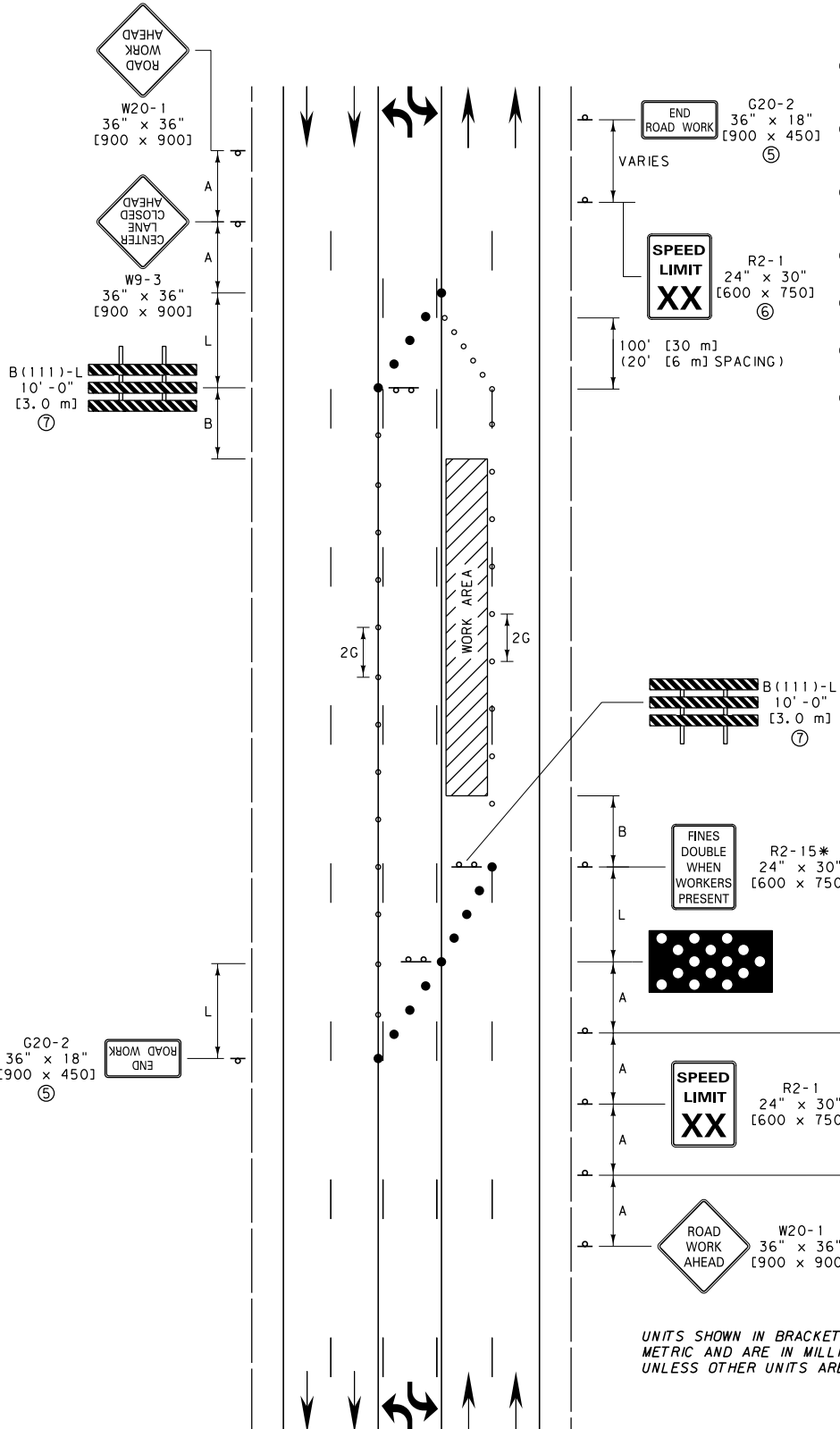
MDT MONTANA DEPARTMENT
OF TRANSPORTATION



ALL DIMENSIONS ARE MILLIMETERS
(mm) UNLESS OTHERWISE NOTED.

POSTED SPEED LIMIT FOR WORK ZONE	SIGN SPACING (A)	TAPER LENGTH (L)	SPACING OF CHANNELIZING DEVICES (MAX.) (G) **	BUFFER SPACE ③ (B)
(M. P. H.)	FEET [m]	FEET [m]	FEET [m]	FEET [m]
25	100 [30]	125 [40]	25 [8]	50 [15]
35	100 [30]	245 [84]	35 [12]	100 [30]

** SPACE ALL CHANNELIZING DEVICES AT "G" UNLESS OTHERWISE NOTED.



NOTES:

- ① USE THIS SIGN LAYOUT IN URBAN APPLICATIONS ONLY. USE THE RURAL, OPEN ROADWAY SIGNING DETAILS WHEN HIGHER SPEED LIMITS ARE USED.
- ② INCLUDE SPEED LIMIT SIGNS ONLY IF THERE IS A REASON TO RESTRICT SPEED. COVER OR REMOVE CONFLICTING EXISTING SPEED LIMIT SIGNS.
- ③ THE BUFFER SPACE MAY BE INCREASED FOR DOWNGRADES AND OTHER CONDITIONS THAT AFFECT STOPPING DISTANCE.
- ④ LARGER SIGN SIZES MAY BE APPROVED BY THE PROJECT MANAGER.
- ⑤ PLACE END ROAD WORK SIGNS AT END OF PROJECT LIMITS.
- ⑥ POST EXISTING SPEED LIMIT IF CHANGED BY WORK ZONE.
- ⑦ SEE DTL. DWG. 618-03.

LEGEND

- - FLEXIBLE GUIDE POSTS
- - PLASTIC DRUMS
- * - DENOTES SIGNS THAT ARE UNIQUE TO MONTANA.
- XX - SPEED DETERMINED BY THE PROJECT MANAGER. (25 M. P. H. OR 35 M. P. H.)

DETAILED DRAWING	
REFERENCE STANDARD SPEC. SECTION 618	DWG. NO. 618-U60
LEFT LANE CLOSURE (URBAN LOW SPEED, MULTI-LANE, UNDIVIDED ROAD WITH TWO-WAY LEFT TURN LANE)	

--REVISED--
OCTOBER 2017

EFFECTIVE: SEPTEMBER 2014
MDT MONTANA DEPARTMENT OF TRANSPORTATION