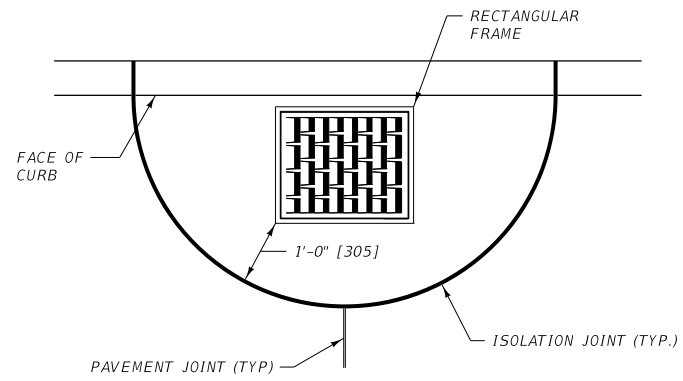


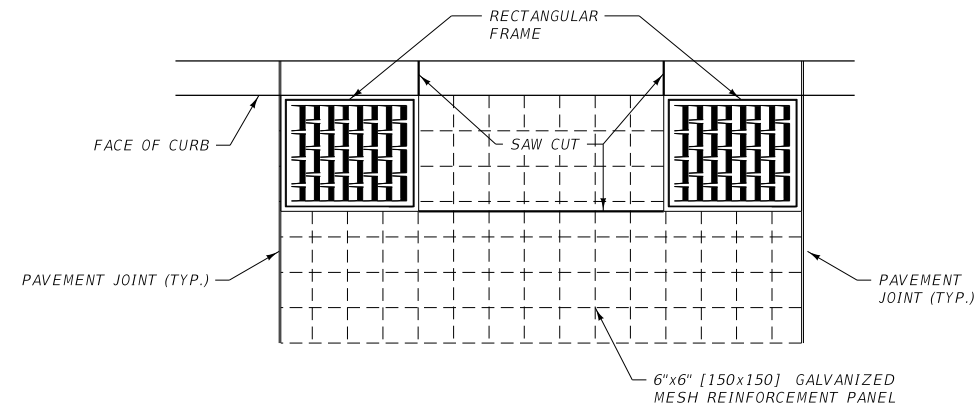
UNITS SHOWN IN BRACKETS [ ] ARE METRIC AND ARE IN MILLIMETERS (mm) UNLESS OTHER UNITS ARE SHOWN.

DETAILED DRAWING	
REFERENCE STANDARD SPEC. SECTION 501	DWG. NO. 501-00

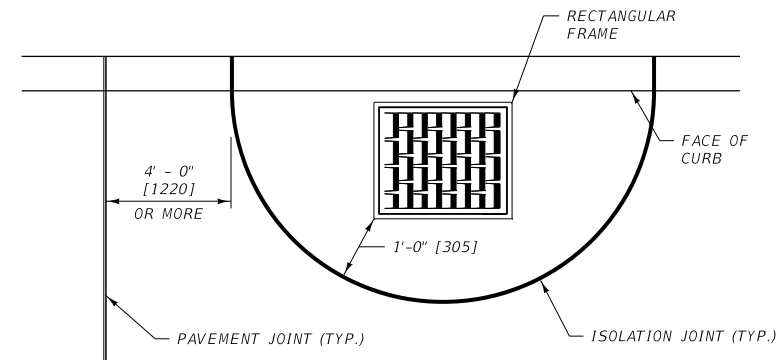
PCCP JOINTS



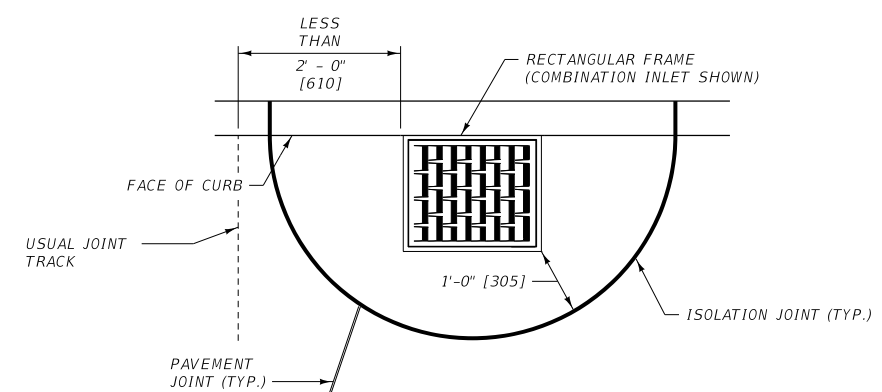
CONDITION A



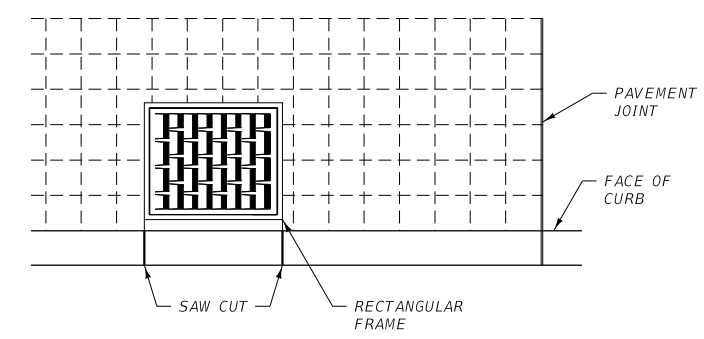
CONDITION B  
NOTE: USE CONDITION B  
WHEN MULTIPLE INLETS ARE  
PRESENT IN ONE PANEL



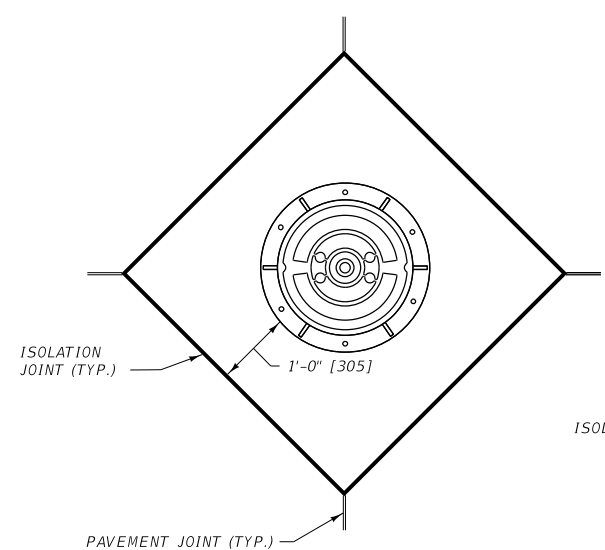
CONDITION C  
(SHOULDER USE ONLY)



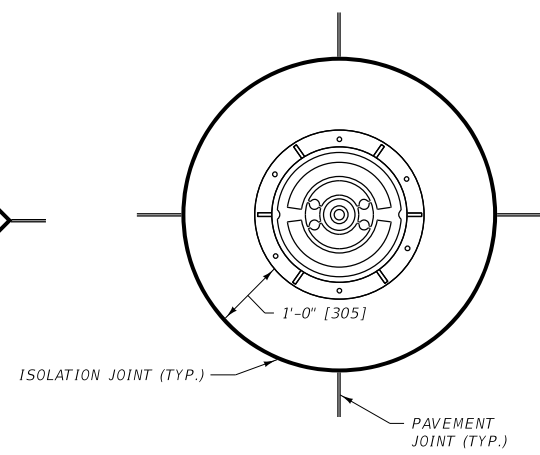
CONDITION D



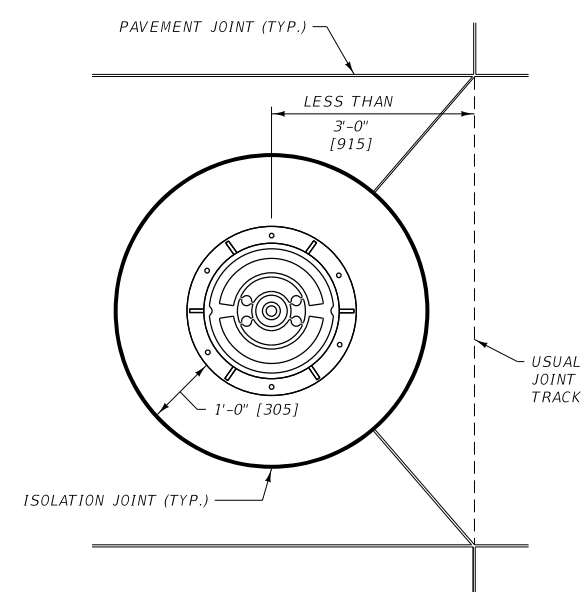
CONDITION F  
NOTE: USE CONDITION  
F ONLY IF CONDITIONS  
C OR D CANNOT BE USED  
DUE TO INLET PLACEMENT



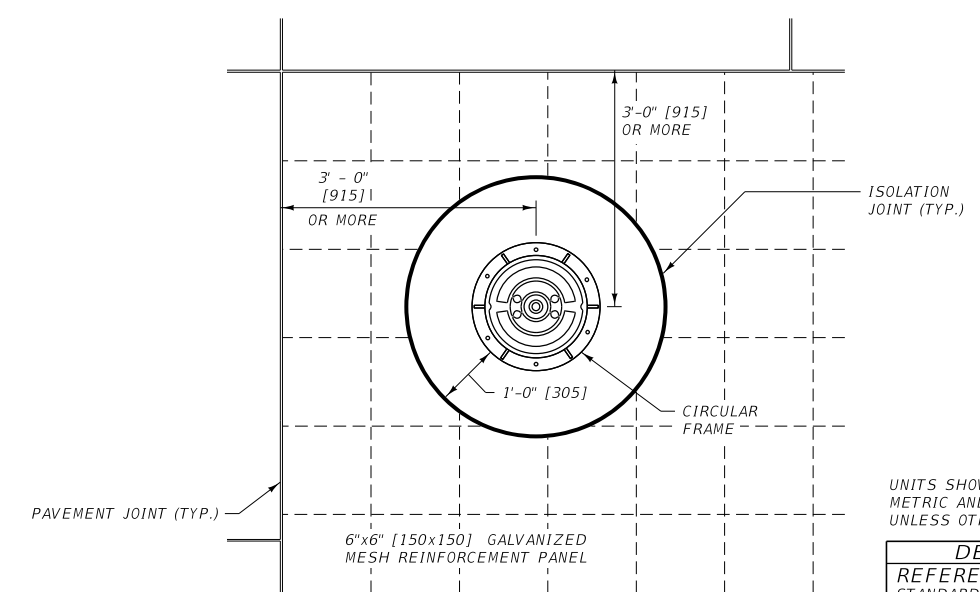
CONDITION G



CONDITION H



CONDITION I

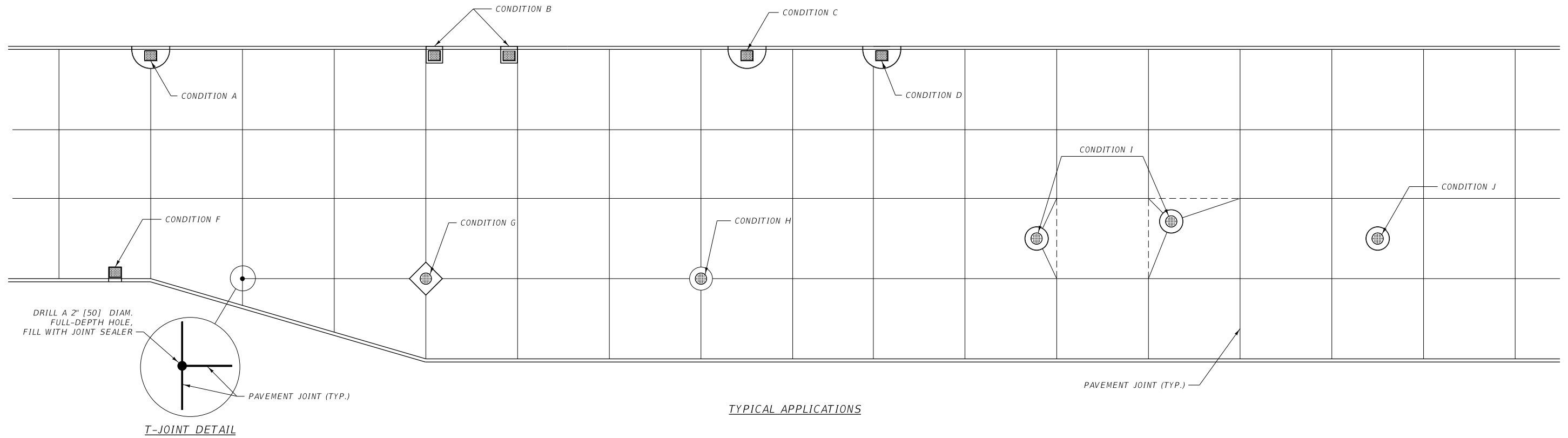


CONDITION J

UNITS SHOWN IN BRACKETS [ ] ARE METRIC AND ARE IN MILLIMETERS (mm) UNLESS OTHER UNITS ARE SHOWN.

DETAILED DRAWING	
REFERENCE STANDARD SPEC. SECTION 501	DWG. NO. 501-05

PCCP ISOLATION JOINTS



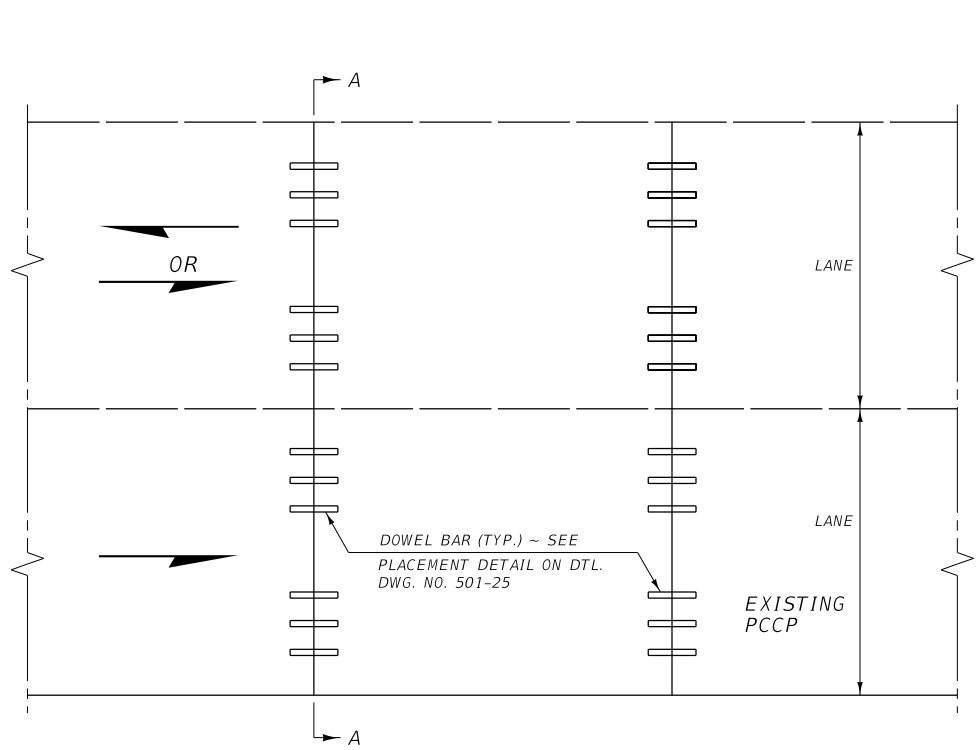
TYPICAL ISOLATION JOINT GUIDELINES		
CONDITION	FEATURE	DISTANCE FROM NEAREST PAVEMENT JOINT
A	DROP OR CURB INLET	-----
B	DROP OR CURB INLET	-----
C	DROP OR CURB INLET	EDGE OF ISOLATION JOINT > 4 FT [1220] FROM JOINT
D	DROP OR CURB INLET	EDGE OF INLET < 2 FT [610] FROM JOINT
F	DROP OR CURB INLET	> 4 FT [1220] FROM JOINT
G	MANHOLE	-----
H	MANHOLE	-----
I	MANHOLE	CENTER OF MANHOLE < 3 FT [915] FROM JOINT
J	MANHOLE	CENTER OF MANHOLE > 3 FT [915] FROM JOINT

UNITS SHOWN IN BRACKETS [ ] ARE METRIC AND ARE IN MILLIMETERS (mm) UNLESS OTHER UNITS ARE SHOWN.

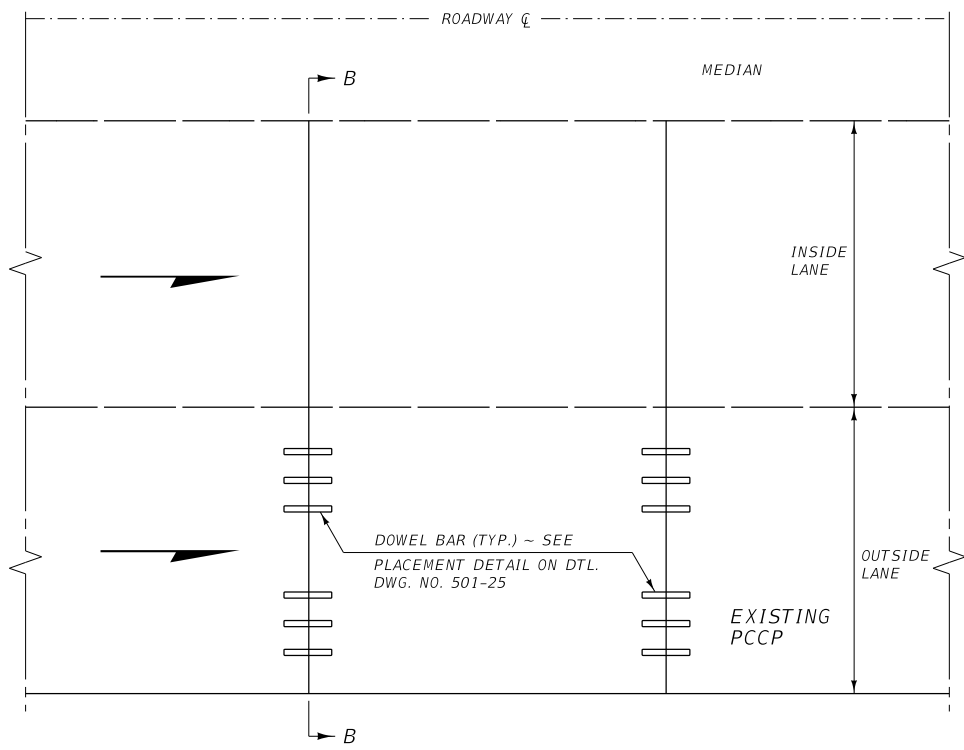
DETAILED DRAWING	
REFERENCE	DWG. NO.
STANDARD SPEC.	501-10
SECTION 501	

PCCP  
ISOLATION JOINTS

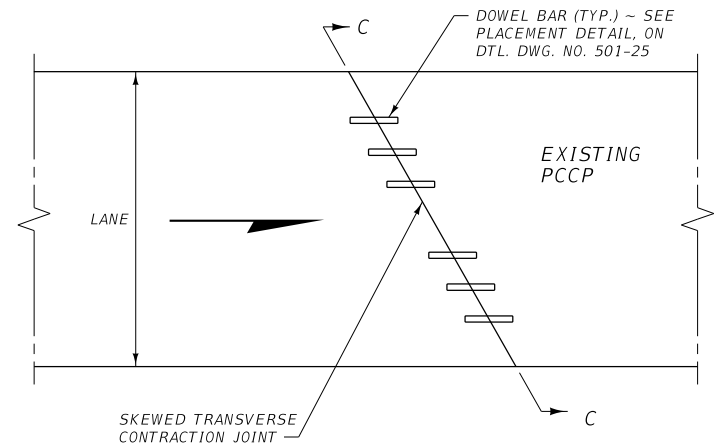




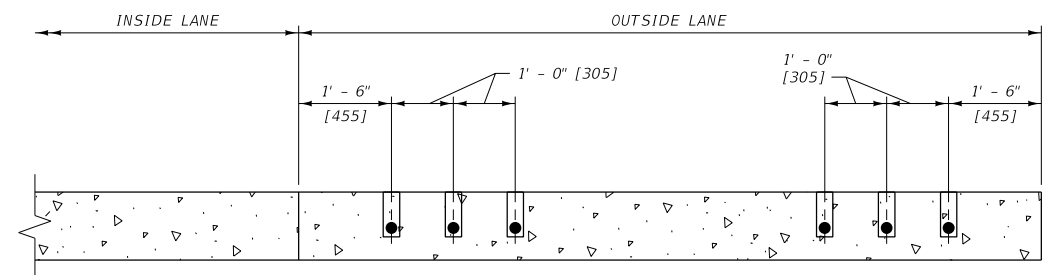
**DOWEL BAR RETROFIT**  
 FOR TWO LANE DIVIDED HIGHWAY (ONE WAY TRAFFIC)  
 FOR EACH LANE IN UNDIVIDED HIGHWAY (TWO WAY TRAFFIC)



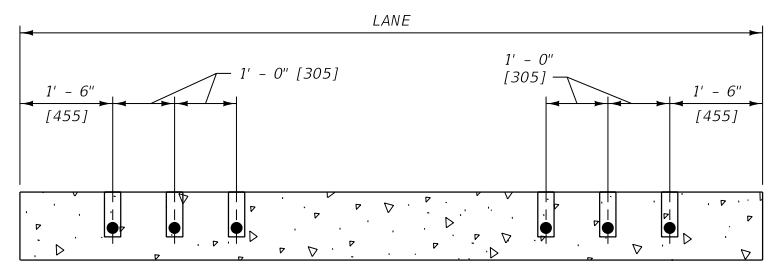
**DOWEL BAR RETROFIT FOR ONE LANE**  
 DIVIDED HIGHWAY (ONE WAY TRAFFIC)



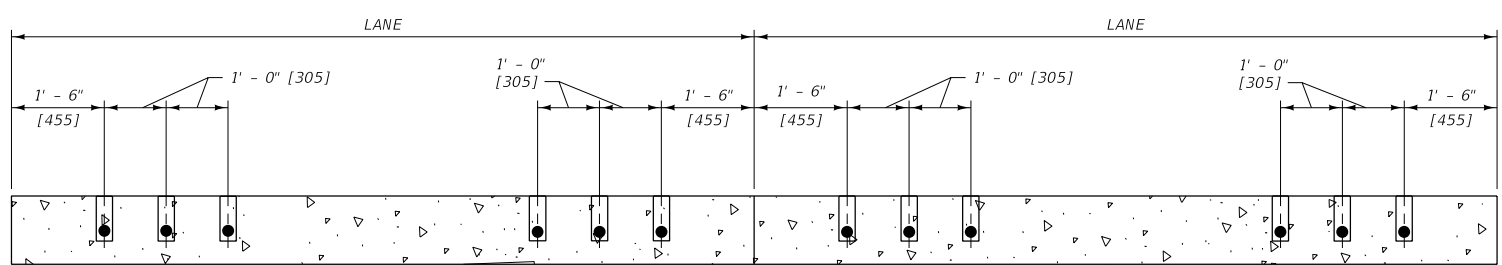
**SKEWED JOINT DETAIL**



**SECTION B-B**



**SECTION C-C**  
 ALL DIMENSIONS PERPENDICULAR TO DIRECTION OF TRAVEL

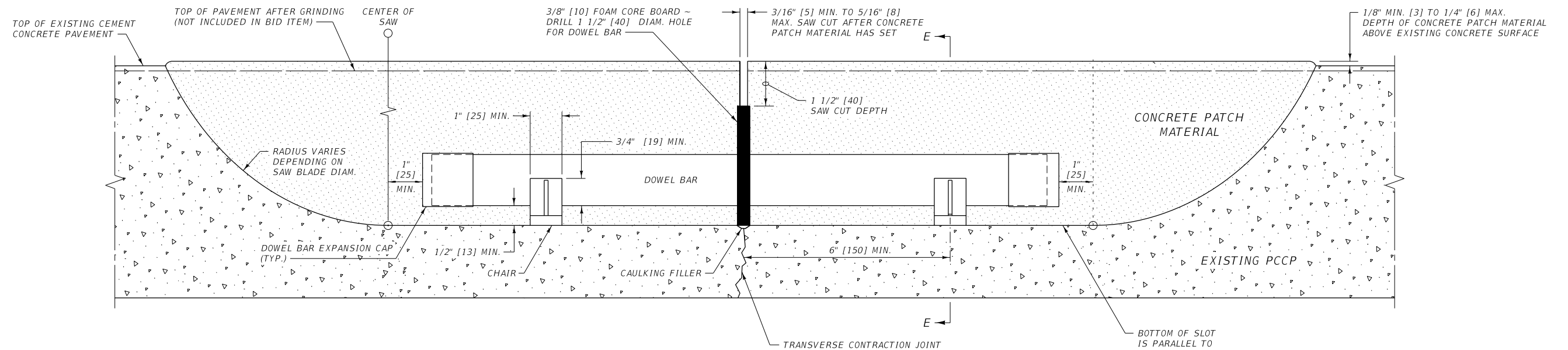
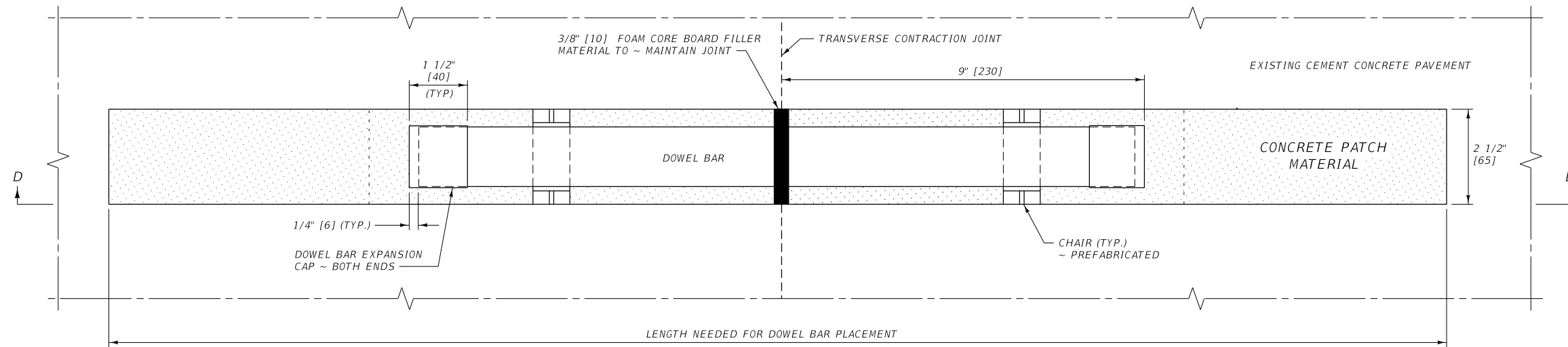


**SECTION A-A**

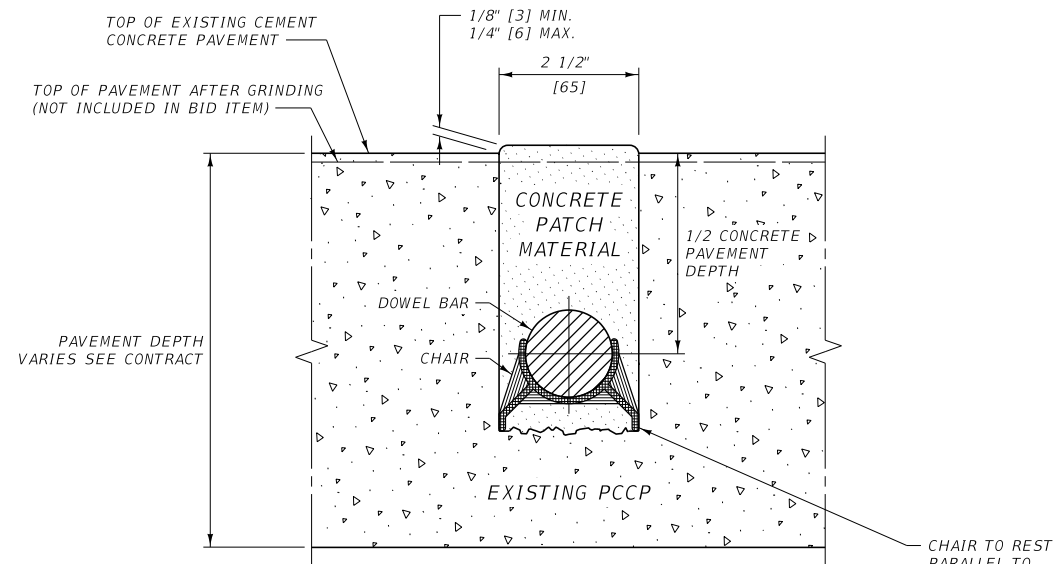
UNITS SHOWN IN BRACKETS [ ] ARE METRIC AND ARE IN MILLIMETERS (mm) UNLESS OTHER UNITS ARE SHOWN.

<b>DETAILED DRAWING</b>	
REFERENCE STANDARD SPEC. SECTION 501	DWG. NO. 501-20

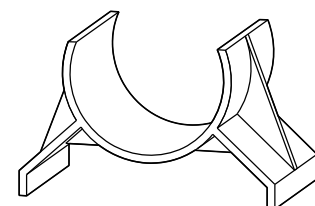
DOWEL BAR RETROFIT FOR PCCP



SECTION D-D  
DOWEL BAR PLACEMENT DETAIL



SECTION E-E



CHAIR DETAIL

NOTE: USE PLASTIC CHAIR OR AS APPROVED BY PROJECT MANAGER

DOWEL BAR DIMENSION TABLE

PCCP THICKNESS	DOWEL BAR DIMENSIONS		
	DIAMETER	MIN. LENGTH	SPACING
< 8" [200]	1" [25]	14" [350]	12" [300]
8" to 9.5" [200 to 240]	1 1/4" [32]	14" [350]	12" [300]
≥ 10" [250]	1 1/2" [38]	14" [350]	12" [300]

UNITS SHOWN IN BRACKETS [ ] ARE METRIC AND ARE IN MILLIMETERS (mm) UNLESS OTHER UNITS ARE SHOWN.

DETAILED DRAWING  
REFERENCE DWG. NO.  
STANDARD SPEC. 501-25  
SECTION 501

DOWEL BAR RETROFIT  
FOR PCCP