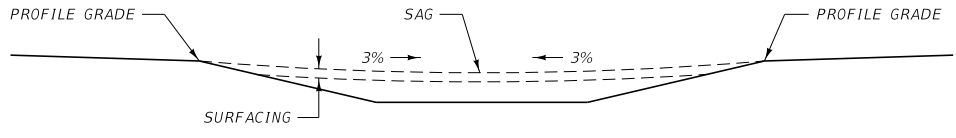


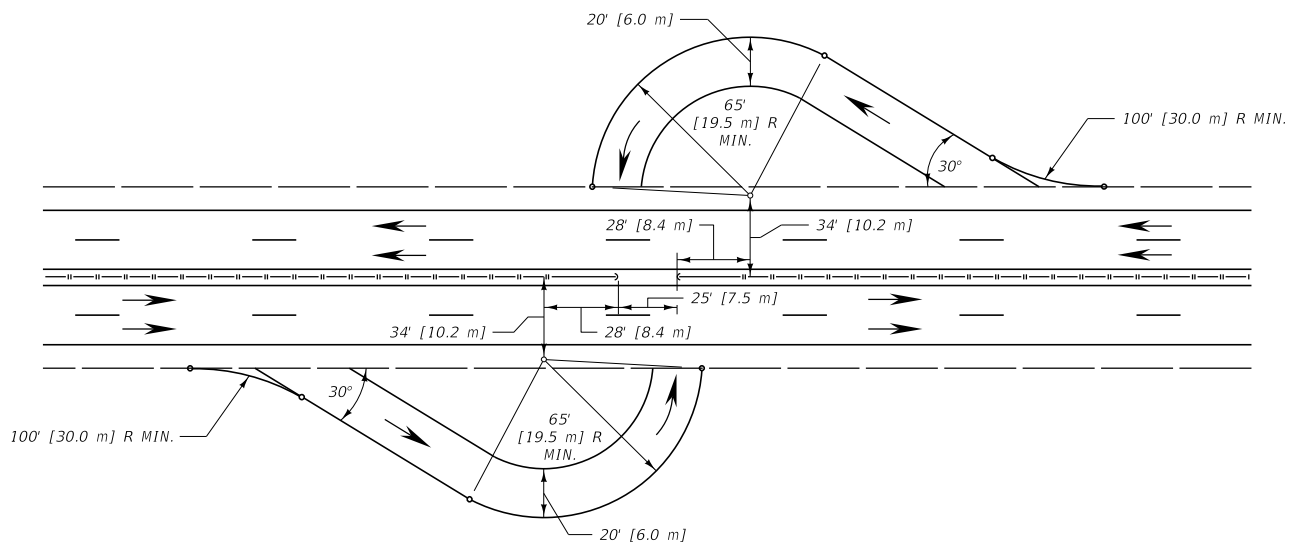
**PLAN**  
(INTERSTATE LAYOUT SHOWN)



**PROFILE**

**MEDIAN WIDTHS 36' [10.8 m] TO 76' [22.8 m]**

LOCATE AND CONSTRUCT TURNOUTS ABOVE IN CONJUNCTION WITH DITCH BLOCKS IF AT ALL POSSIBLE. PROVIDE DRAINAGE WHEN NECESSARY.



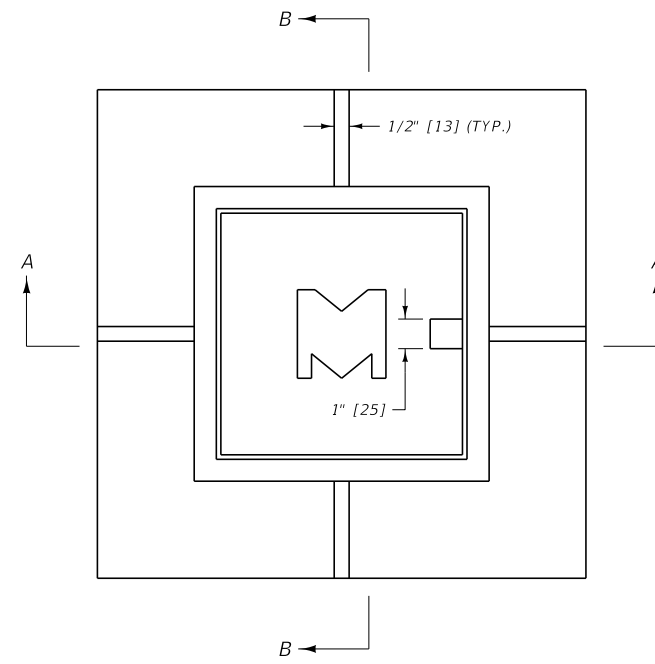
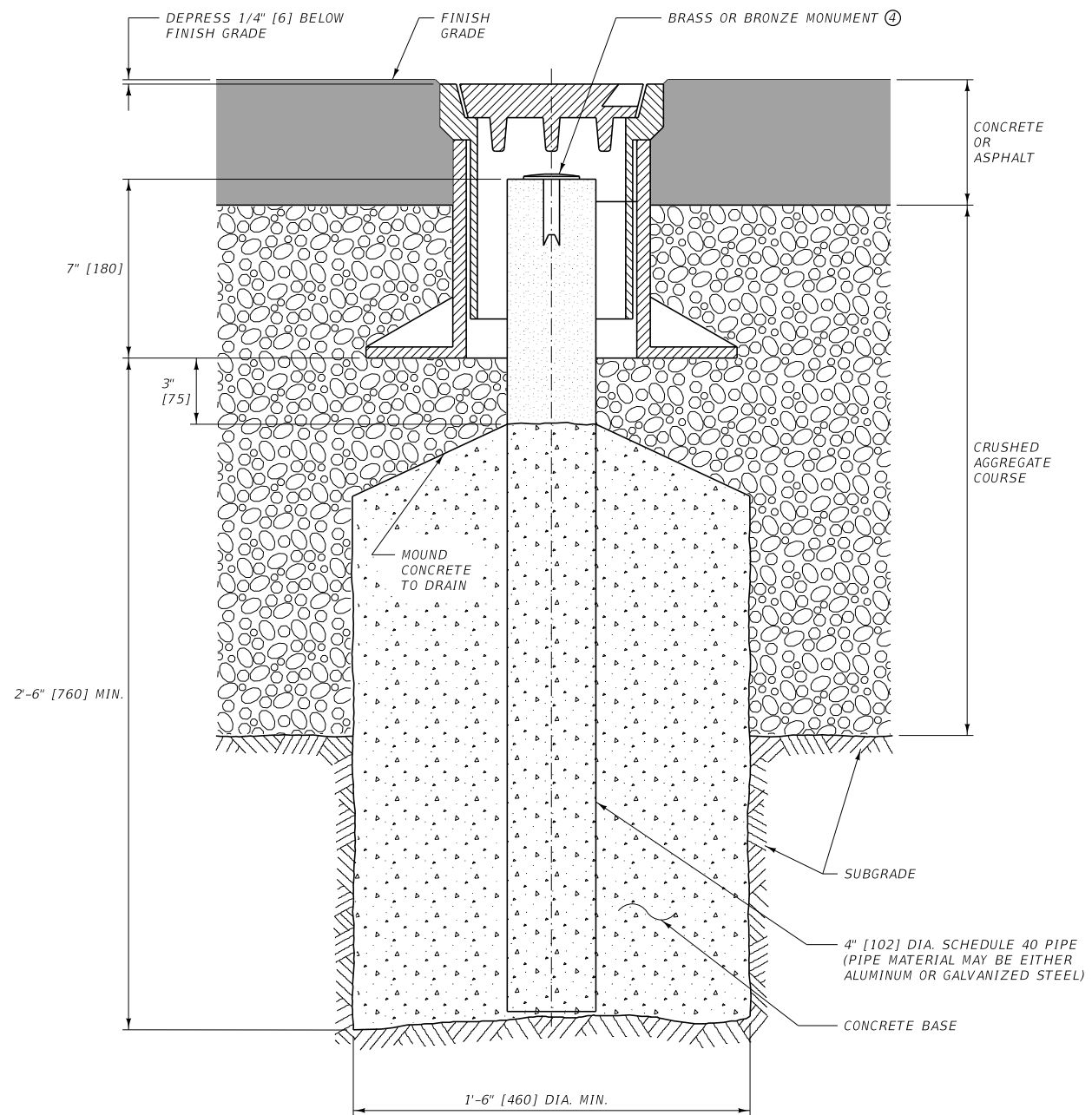
**STANDARD U-TURN FOR NARROW MEDIANS**

**NOTES:**

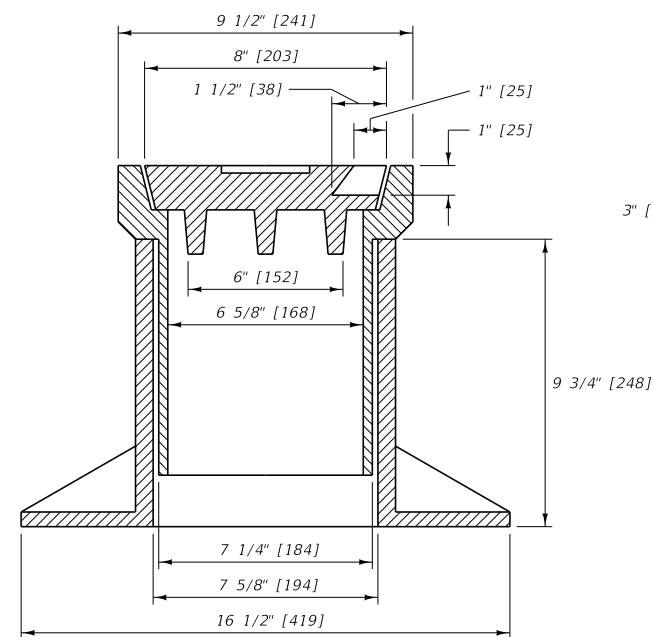
- ① NARROW MEDIANS, MEDIAN WIDTHS GREATER THAN 76' [22.8 m] AND INDEPENDENT ROADWAYS REQUIRE SPECIAL DESIGN.
- ② GRADES: UNIFORM BETWEEN INSIDE SHOULDERS OF MAIN TRAVELED WAY EXCEPT FOR SPECIAL DESIGN.
- ③ SURFACING: SEE PLANS FOR QUANTITIES.
- ④ DRAINAGE: USE 18" [450] OR 24" [600] CULVERTS IF REQUIRED.

UNITS SHOWN IN BRACKETS [ ] ARE METRIC AND ARE IN MILLIMETERS (mm) UNLESS OTHER UNITS ARE SHOWN.

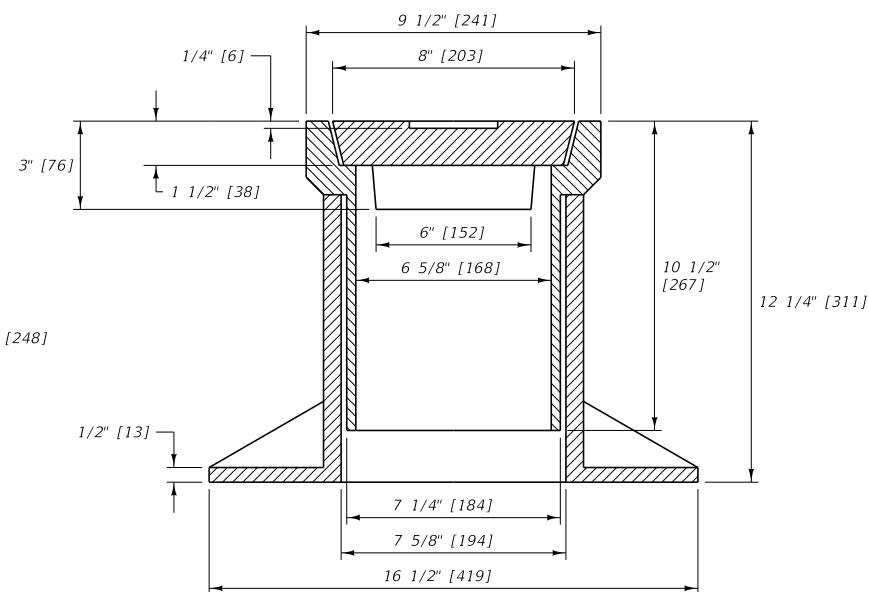
<b>DETAILED DRAWING</b>	
REFERENCE SECTION	DWG. NO. 900-00
<b>U-TURN MEDIAN OPENINGS ON CONTROLLED ACCESS HIGHWAYS</b>	



PLAN  
NEENAH FOUNDRY R-1968 TYPE 36-B ADJUSTABLE  
MONUMENT BOX (HEAVY DUTY) OR APPROVED EQUAL



SECTION A-A



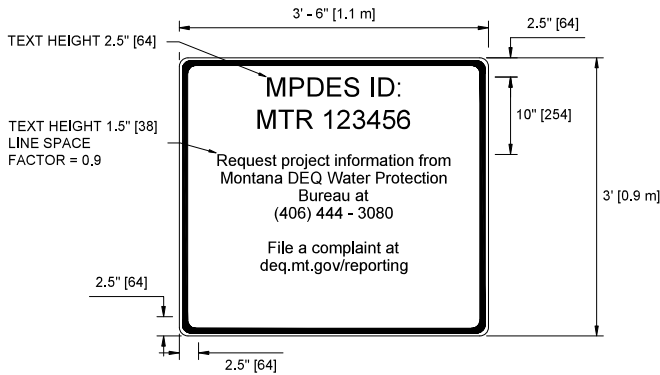
SECTION B-B

NOTES:

- ① INSTALL THE 4" [102] DIA. PIPE, CONCRETE BASE AND ADJUSTABLE MONUMENT BOX AS DETAILED. PLACE CONCRETE IN THE PIPE UP TO 10" [255] BELOW THE TOP OF THE PIPE (DO NOT FILL COMPLETELY.)
- ② POSITION THE CENTER OF THE PIPE TO WITHIN 1/2" [13] HORIZONTALLY OF THE DESIRED COORDINATES AND CENTER THE MONUMENT BOX OVER THE PIPE.
- ③ DEPENDING ON CONTRACT REQUIREMENTS, EITHER MDT FORCES UNDER THE DIRECT SUPERVISION OF A MONTANA LICENSED PROFESSIONAL LAND SURVEYOR OR CONTRACTOR FORCES UNDER THE DIRECT SUPERVISION OF A MONTANA LICENSED PROFESSIONAL LAND SURVEYOR IS REQUIRED TO FILL THE REMAINING 10" [255] OF THE 4" [102] DIA. PIPE WITH CONCRETE. SET AND MARK THE BRASS OR BRONZE MONUMENT WITHIN THE BOX AFTER CONSTRUCTION. THE MONTANA LICENSED PROFESSIONAL LAND SURVEYOR IS REQUIRED TO PREPARE AND FILE CORNER RECORDATIONS IN ACCORDANCE WITH STATE STATUTES, ADMINISTRATIVE RULES OF MONTANA AND PROVISIONS OF THE MDT SURVEY MANUAL. PROVIDE COPIES OF FILED CORNER RECORDATIONS TO THE PROJECT MANAGER, WHO WILL FORWARD THEM TO THE DISTRICT SURVEY MANAGER.
- ④ AN ACCEPTABLE BRONZE MONUMENT IS THE "BERNTSEN C25DB" OR APPROVED EQUAL. AN ACCEPTABLE BRASS MONUMENT IS THE "SURV-KAP M/M-BCS-2 1/2 D" OR APPROVED EQUAL.
- ⑤ USE CLASS GENERAL CONCRETE OR APPROVED EQUAL.

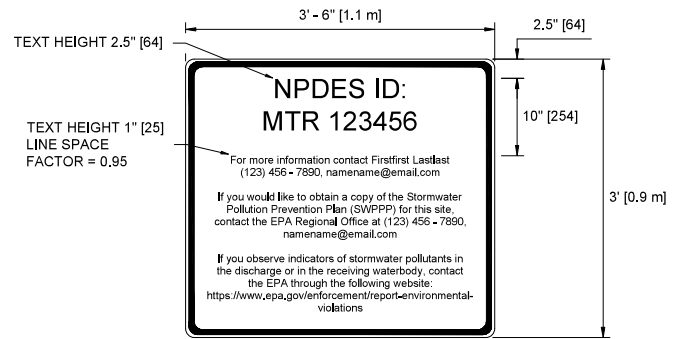
UNITS SHOWN IN BRACKETS [ ] ARE  
METRIC AND ARE IN MILLIMETERS (mm)  
UNLESS OTHER UNITS ARE SHOWN.

DETAILED DRAWING	
REFERENCE STANDARD SPEC. SECTION	DWG. NO. 900-15
ADJUSTABLE MONUMENT BOX	
<b>MDT</b> MONTANA DEPARTMENT OF TRANSPORTATION	



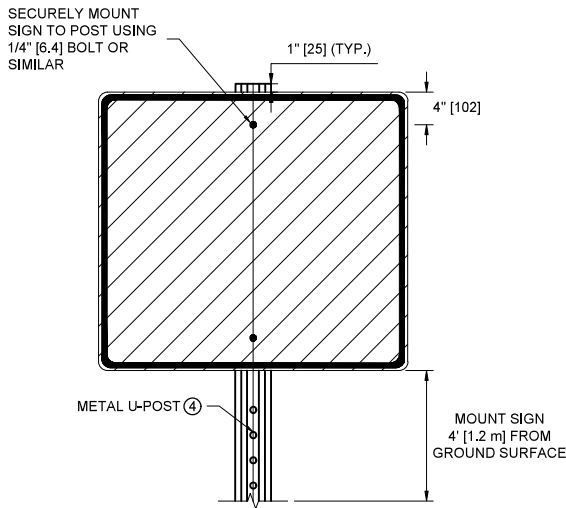
BORDER  
 R = 1 1/8" [28.6]  
 TH = 5/8" [15.9]  
 IN = 3/8" [9.5]

MPDES SWPPP SIGN DETAIL



BORDER  
 R = 1 1/8" [28.6]  
 TH = 5/8" [15.9]  
 IN = 3/8" [9.5]

NPDES SWPPP SIGN DETAIL



SWPPP SIGN POST DETAIL

NOTES:

- ① INSTALL SIGNAGE AT A PUBLICLY ACCESSIBLE LOCATION NEAREST THE MOST ACTIVE PROJECT PORTION.
- ② INSTALL SIGN FACE PARALLEL TO TRAVEL DIRECTION WITH TEXT FACING ROADWAY.
- ③ USE NON-RETRO-REFLECTIVE SIGN FACE MATERIAL.
- ④ AFFIX SIGN TO METAL U-POST (MIN. 3 LB./FT. [4.5 kg/m]) DRIVEN 2' [0.6 m] (MIN.) IN THE GROUND.

UNITS SHOWN IN BRACKETS [ ] ARE METRIC AND ARE IN MILLIMETERS (mm) UNLESS OTHER UNITS ARE SHOWN.

**DETAILED DRAWINGS**

REFERENCE	DWG. NO.
STANDARD SPEC.	900-20
SECTION 208, 704	

**PUBLIC SIGNAGE -  
STORMWATER**

EFFECTIVE: JUN 27, 2024



**MONTANA**  
Department of Transportation

--REVISED--