

Montana Department of Transportation Bridge Bureau Approved Construction Equipment List

Make:	<i>Volvo</i>
Model:	<i>P7110 with Omni 318 Screed</i>
Equipment Type:	<i>Paver</i>
Contractor Modifications:	<i>None</i>

Interstate Approval Conditions

Approval Type	<i>Crossing only</i>
Speed:	<i>No restriction</i>
Weight:	<i>50,053 lb or less</i>
Traffic:	<i>Approved with regular traffic</i>
Location Restrictions:	<i>No restriction</i>

Non-Interstate Approval Conditions

Approval Type	<i>Crossing only</i>
Speed:	<i>10 mph</i>
Weight:	<i>50,053 lb or less</i>
Traffic:	<i>Approved with regular traffic</i>
Location Restrictions:	<i>No restriction</i>

Comments:

Equipment configuration, weights, and specifications on following pages. Approval does not apply to load posted bridges. Other construction equipment is not allowed to operate on or cross bridge at the same time this equipment is on the bridge. Vibratory system must be turned off while on bridge.



Volvo Construction Equipment

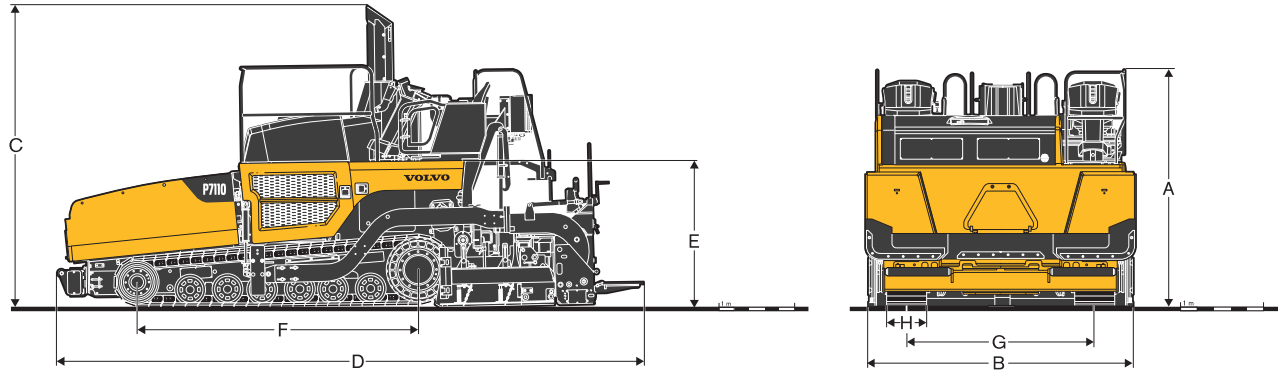
P7110, ~~P7170~~

VOLVO TRACKED AND WHEELED PAVERS 10 - 26 ft 235 hp



Specifications tracked P7110.

DIMENSIONS



Model				P7110	
Machine Dimensions					
	Basic Screed Width	m	ft	3.05	10
	Max Paving Width	m	ft	7.92	26
	Paving Depth	mm	in	6.4 - 304.8	0.25 - 12
B	Ship Width w/ Endgates (Hoppers Up)	m	ft	3.23	10.60
	Ship Width w/o Endgates (Hoppers Up)	m	ft	3.05	10.00
A	Shipping Height	m	ft	2.83	9.29
C	Operating Height	m	ft	3.52	11.56
E	Deck Height	m	ft	1.70	5.57
D	Operating Length	m	ft	6.86	22.52
	Shipping Length	m	ft	6.50	21.33
	Hopper Length	m	ft	2.05	6.73
	Inside Hopper Width	m	ft	3.21	10.58
	Auger Diameter	mm	in	420	16.5
	Adj Height Augers (screed up)	mm	in	76.5 - 230	3 - 9.1
G	Gauge - Track	m	ft	2.28	7.5
	Ramp Loading Angle	°	°	10	10
Weights					
	Shipping Weight Of Tractor Only	kg	lb	19 006	41,813
	with Omni 318 screed	kg	lb	22 751	50,053
	with Ultimat 200 screed	kg	lb	22 651	49,833
	with Omni 1000 screed	kg	lb	23 065	50,743
Suspension					
	Description	Continuous rubber track with tandem bogie system			
F	Track length on Ground	m	ft	3.27	10.74
H	Track Width	mm	in	482	19
Engine					
	Make / Model	Volvo D8 / EPA Tier 4 interim			
	Rated Power @ Installed Speed	kW	hp	175	235
Propulsion					
	Description	2-speed planetaries, 2-speed drive motors			
	Traction Drive	Hydrostatic direct drive			
	Paving Speed	m/min	ft/min	75	246
	Travel Speed	km/h	mph	16.1	10
Miscellaneous					
	Fuel Tank Capacity	l	gal	354.4	93.5
	Hydraulic Tank Capacity	l	gal	257.7	68
	Cooling Capacity	l	gal	34	9
	Hopper Capacity (includes tunnel)	t / m ³	T / cu ft	11.6 / 6.63	12.8 / 234

SCREED SPECIFICATIONS.

Matched to your application. Gain an advantage with the versatility of Volvo screeds.

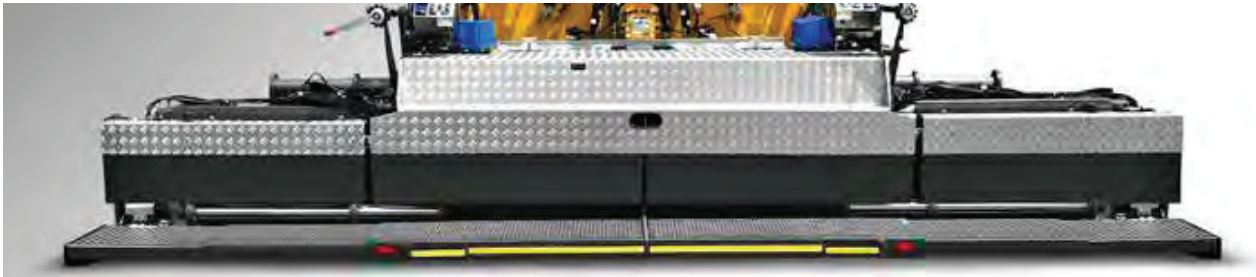
OMNI 318



ULTIMAT 200



OMNI 1000



Model			Omni 318		Ultimat 200		Omni 1000		
			Front-mounted extensions		Front-mounted extensions		Rear-mounted extensions		
Vibration / Tamping System			Vibratory		Vibratory		Vibratory		
Basic Screed Width	m	ft	3.05	10	3.05	10	3.05	10.0	
Standard Paving Width	m	ft	3.05 - 5.56	10 - 18.2	3.05 - 6.10	10 - 20	3.05 - 6	10 - 19.7	
Max Paving Width	m	ft	7.92	26	6.10	20	8	29.5	
Paving Depth	mm	in	305	12	305	12	305	12	
Screed Plate Depth									
	Main	mm	in	457	18	724	28.5	450	17.7
	Extensions (front to rear)	mm	in	457	18	216	8.5	443	17.4
Screed Weight	kg	lb	3 750	8 300	3 600	8 000	4 050	8 900	
Vibratory Speed	Hz	vpm	17 - 42	1000 - 2500	17 - 42	1000 - 2500	47 - 57	2800 - 3400	
Multiple bolt-on extensions available			Yes		No		Yes		
Tapered joint extensions available			Yes		No		No		
Screed remote control unit available			Yes		Yes		Yes		

Other screeds available. Contact your local Volvo dealer for more information.